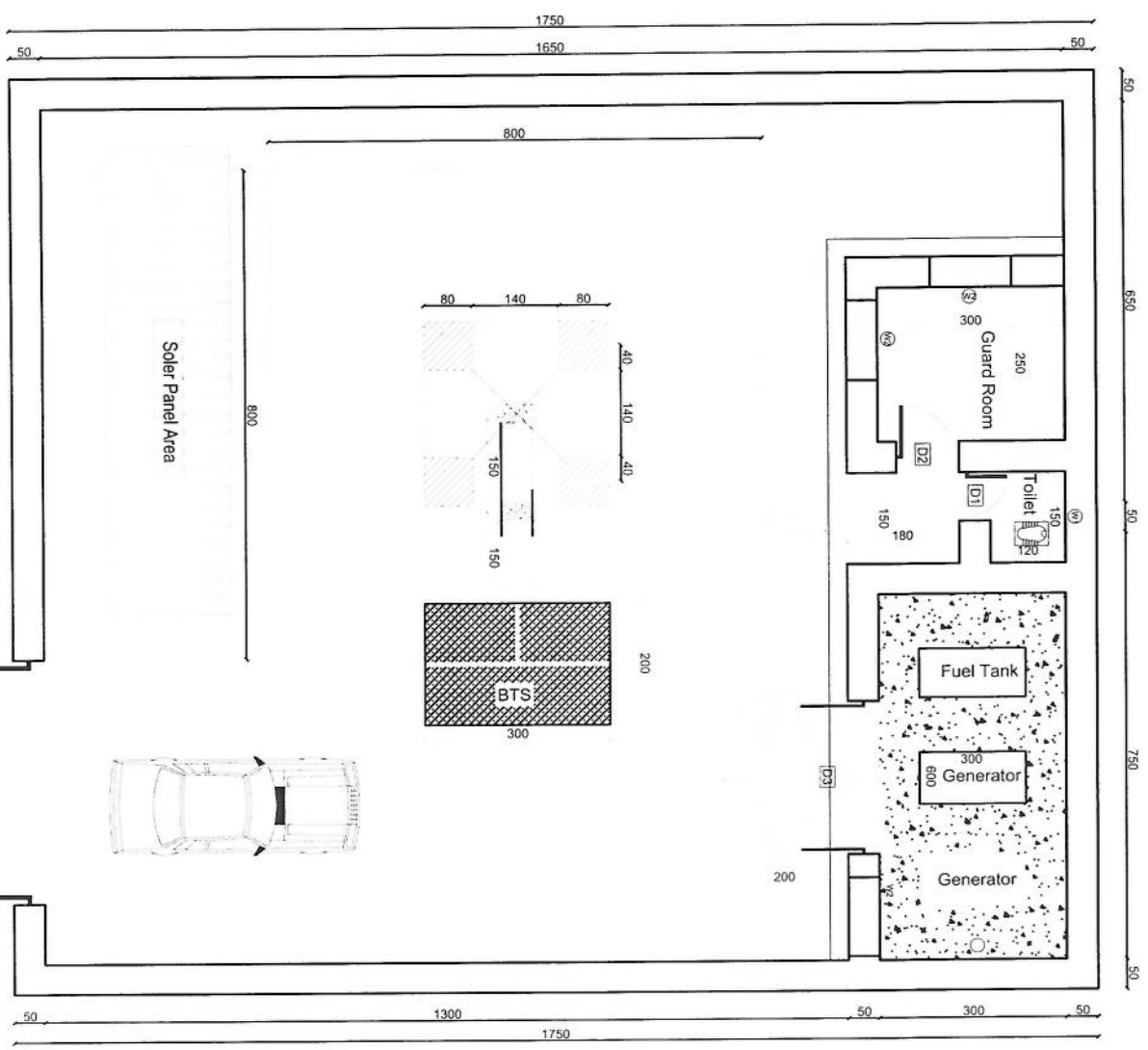


NORTH
WEST - EAST
SOUTH



01 SITE PLAN
REF. A101

SCALE: 1:100

REVISION RECORDS

REVISION NO	DATE	DESCRIPTION
01	03/06/2025	ISSUE DATE

LEGEND:

- (M) WINDING TYPE 1
- (W) WINDING TYPE 2
- (D1) DOOR TYPE 1
- (D2) DOOR TYPE 2
- (D3) DOOR TYPE 3
- (D4) DOOR TYPE 4

PROJECT TITLE / NO:

REFERENCER SITE

DRAWING TITLE:

SITE PLAN WITH FENCE WALL

DRAWN BY:
CIVIL TEAM

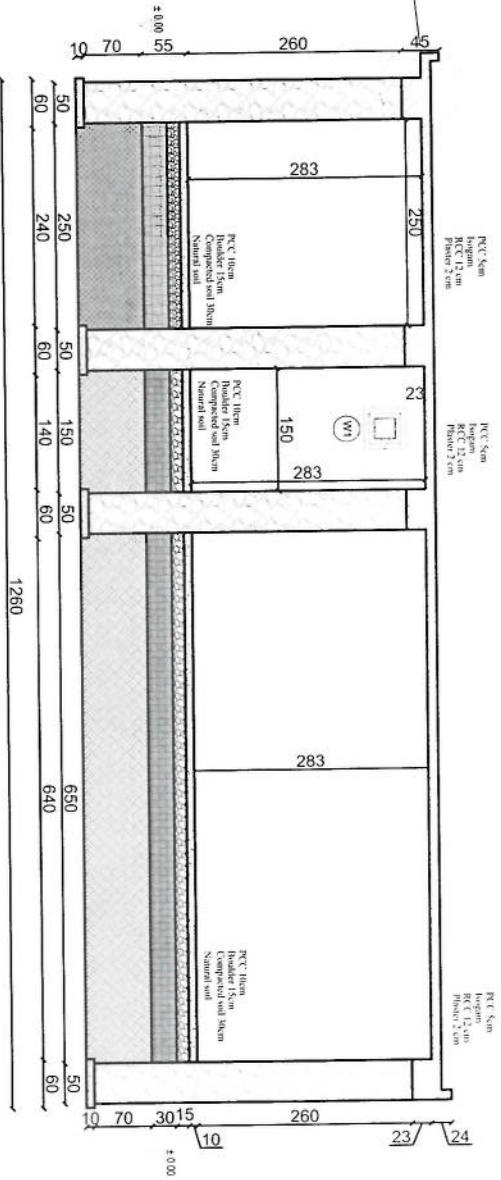
APPROVED BY:

SCALE: 1:100
ACTUAL DATE: 03/06/2025
ISSUE DATE:
OWNER: ARSALAN TELECOM

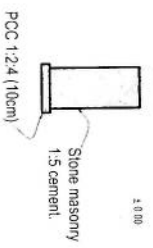
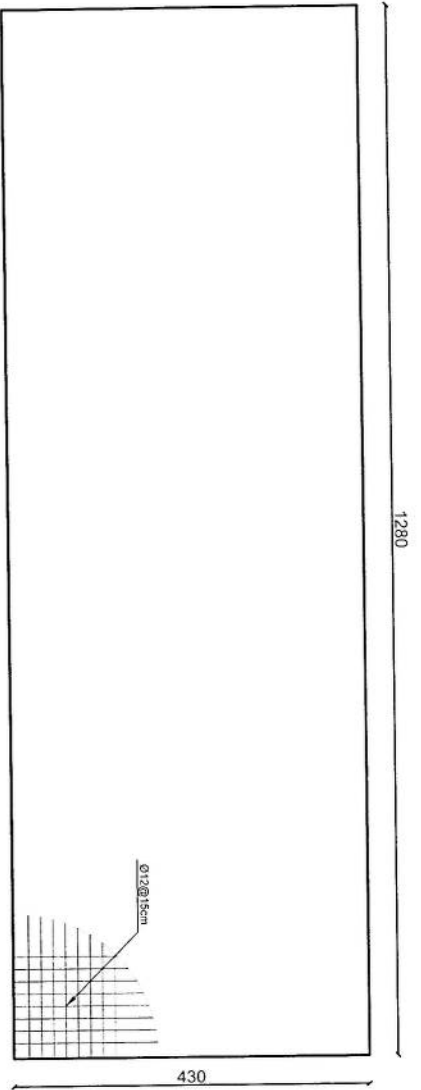
REVISION RECORDS	
REVISION NO	DATE DESCRIPTION

LEGEND

283 R.C.C. Slab
 R.C.C. 12 cm
 Plaster 2 cm
 23 R.C.C. Slab
 R.C.C. 12 cm
 Plaster 2 cm
 150 R.C.C. Slab
 R.C.C. 12 cm
 Plaster 2 cm
 (WI)
 283 R.C.C. Slab
 R.C.C. 12 cm
 Plaster 2 cm
 283 R.C.C. Slab
 R.C.C. 12 cm
 Plaster 2 cm



Section B-B



Well for toilet

PROJECT TITLE / NO
 REPAIRS SITE
 DRAWING TITLE:
 GENERATOR ROOM
 DRAWN BY:
 CIVIL TEAM
 CHECKED BY:

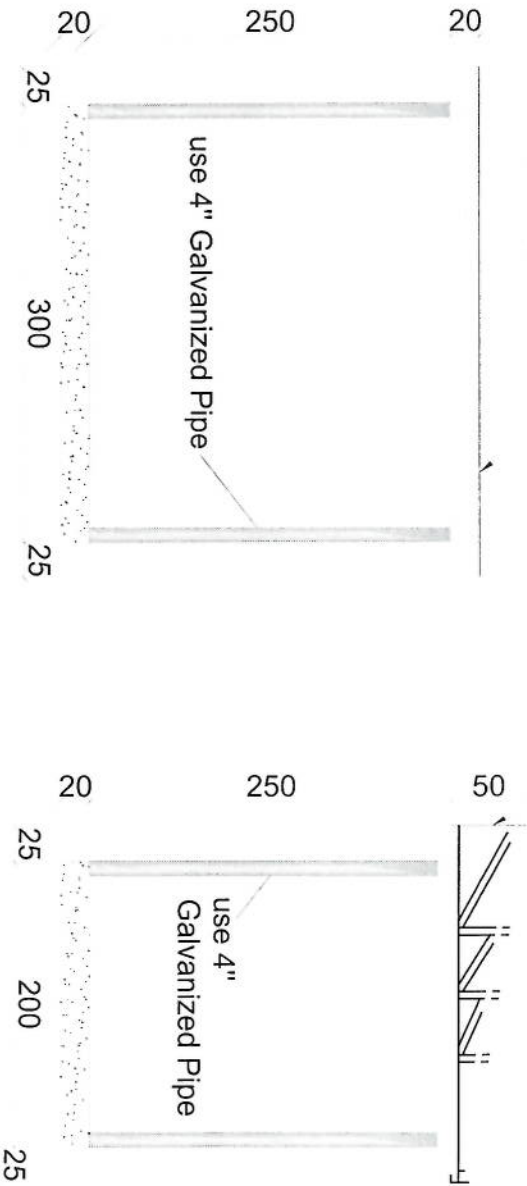
APPROVED BY:

SCALE: 1:75
 ACTUAL DATE: 03/09/2023
 ISSUE DATE:
 DRG NO: 05
 OWNER: ARSHAN TELECOM
 ARSHAN TELECOM

Rebar details of Generator Room roof

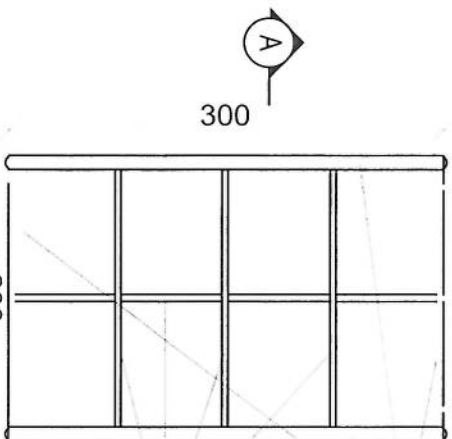
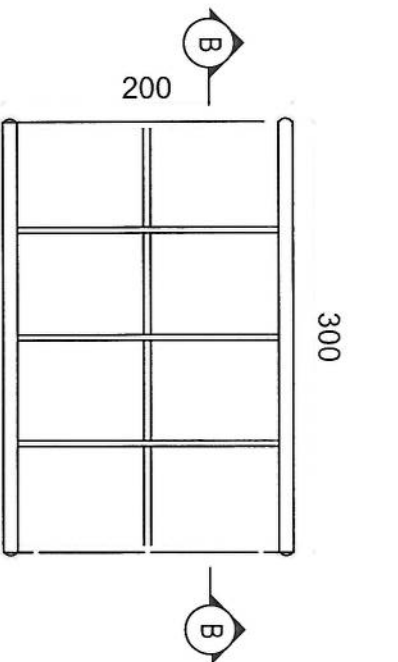
24 Gage GI Sheet

24 Gage GI sheet



Section BB

Section AA



use (100 x 100) 2mm thick channel

use (50 x 100) 2mm thick channel

Use 24 Gage GI Sheet

REVISION NO	DATE	DESCRIPTION

LEGEND:

PROJECT TITLE / NO:

REPEATERS SITE

DRAWING TITLE:

SUN SHELTER FOR ZTE BTS
BTS

DRAWN BY:

CIVIL TEAM

CHECKED BY:

APPROVED BY:

SCALE: 1:50

ACTUAL DATE: 03/08/2025

ISSUE DATE:

DRG NO: 10

OWNER: AFGHAN TELECOM

Stani Telekomunikashon Company
KABUL
AFGHANISTAN

SUN SHELTER FOR ZTE BTS

REF: A110

SCALE: 1:50

10

REVISION RECORDS	
REVISION NO	DATE
تعمیرات	تاریخ
تشریحات	تاریخ

تاریخ: _____
 شرح تغییرات: _____
 PDC: _____

PROJECT TITLE / NO: _____
 GSM SITES
 عنوان پروژه: _____
 محل های نصب: _____

DRAWING TITLE: _____
 30m Tower Grounding System
 سیستم ارتینگ برای مخابرات 30 متری

DRAWN BY: _____
 CIVIL TEAM

CHECKED BY: _____

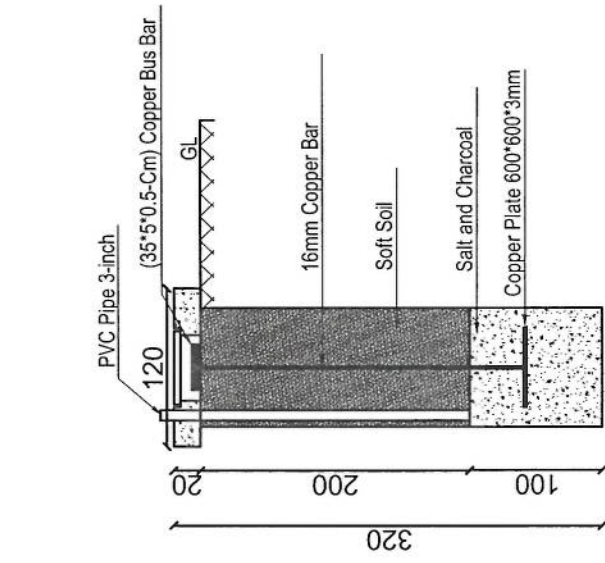
APPROVED BY: _____

SCALE: 1:75
 مقیاس: _____

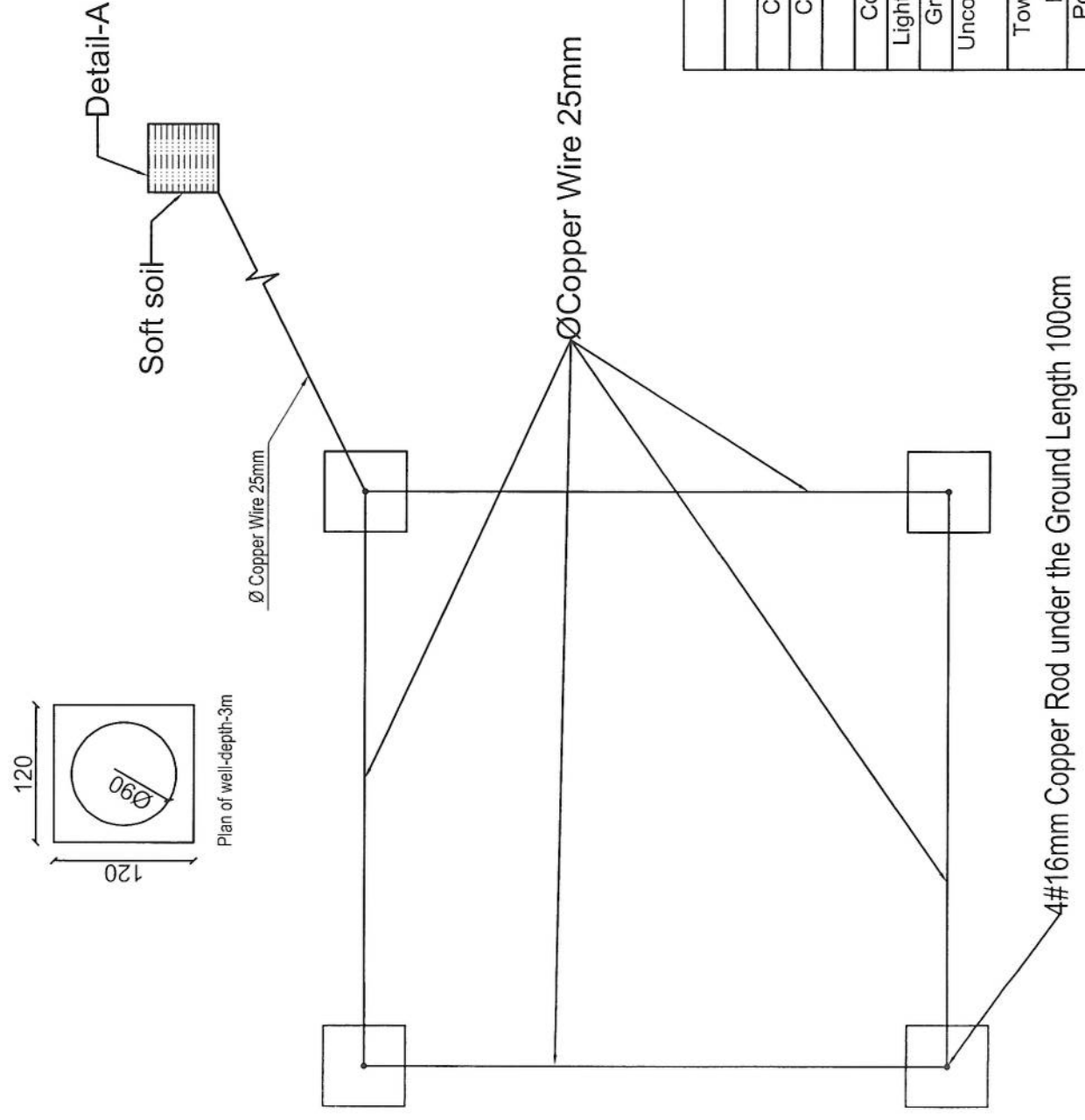
ACTUAL DATE: 14/05/2025
 DRG.NO: 23
 ISSUE DATE: _____

OWNER: AFGHAN TELECOM
 شرکت ارتباطات افغانستان

سلام | Salbam Telecommunication Center
 K A B U L
 A F G H A N I S T A N



Item	Quantity	Dimension
Copper Rod	4 Pcs	1m*Ø16mm
Copper Rod	1 Pcs	2m*Ø16mm
Busbar	5 Pcs	35cm*5cm*5mm
Copper Plate	1 Pcs	60cm*60cm*3mm
Lightning Arrestor	1 Pcs	1m
Ground Cable	45m	25mm
Uncovered Ground Cable	12m	25mm
Tower Light with photo cell	1 Pcs	48V DC
Power Cable	50m	2*2mm

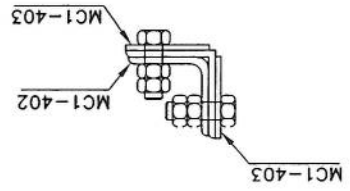


Handwritten signature in blue ink.

Project No.:		Scale: 1/11		Ref. No. 00		Sheet No. 2	
Tower Type: TOWER NB		Title: NB TOWER 30m PANEL 2					
Client 1:		Project 1: AFGHAN TELECOM					
Client 2:		Project 2:					
Rev.:		Design		Drawn		Checked	
00	--	S. Ghodifi		A. Solahshour		10/13/2024	
01	--						
02	--						
Description		Date		Approved			



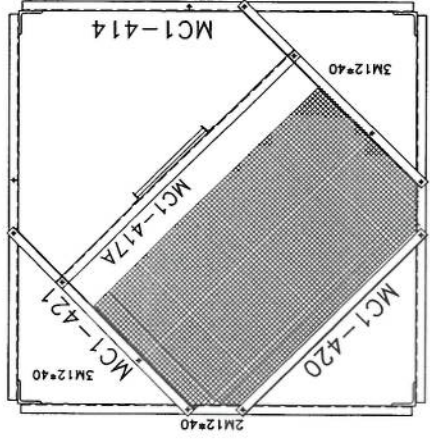
SEC. D-D



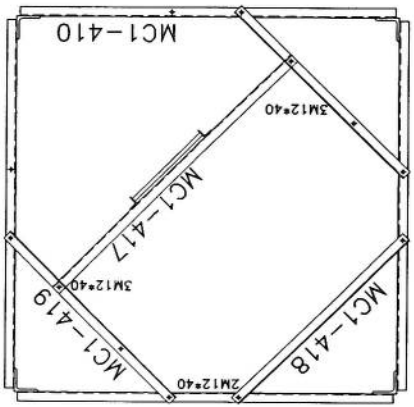
List Of Bolts - PANEL 4

Qty	Specification
200	M12*40
64	M16*60

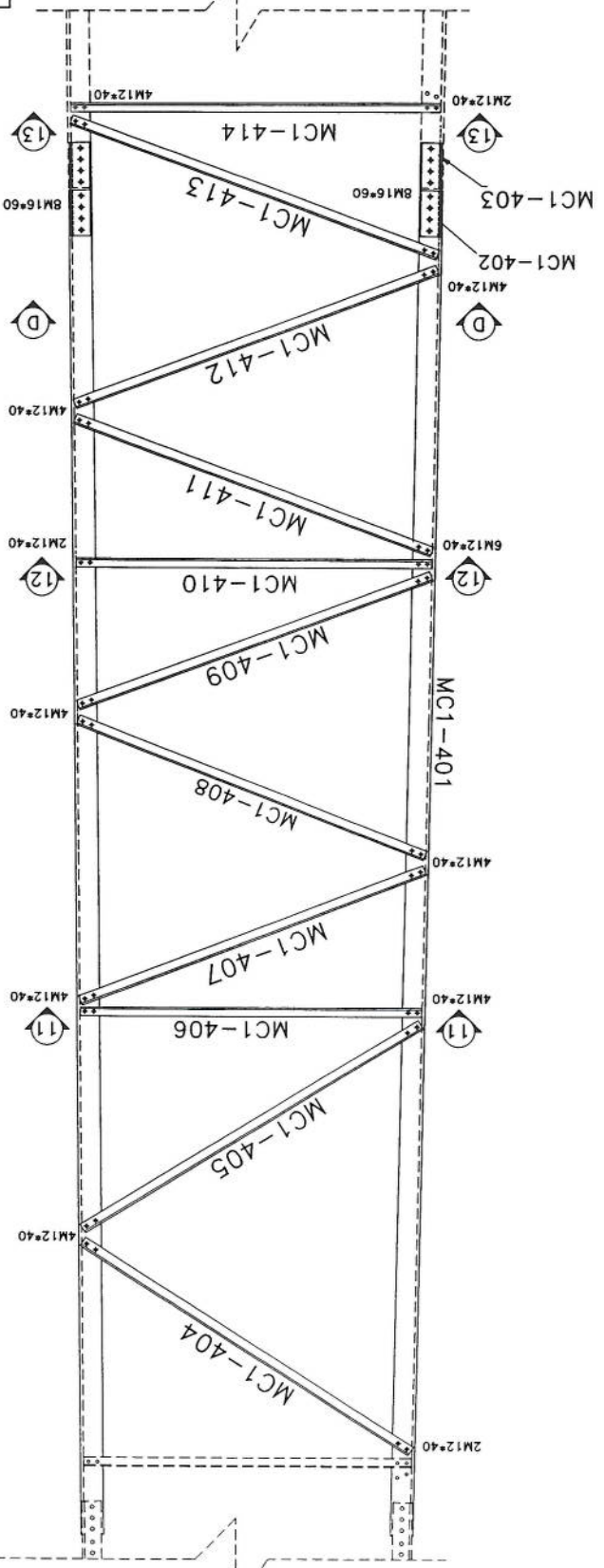
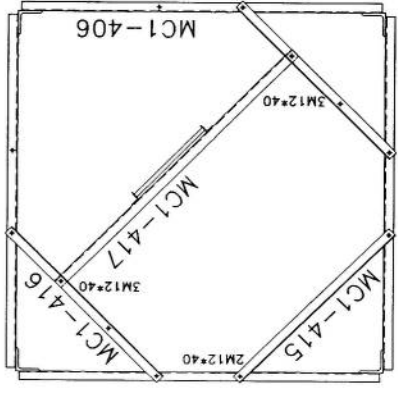
SEC. 13-13



SEC. 12-12



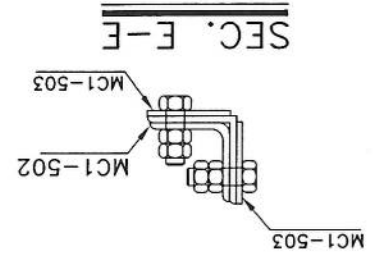
SEC. 11-11



Project No.:		Scale: 1/11		Ref. No. 00		Sheet No. 5	
Tower Type: TOWER NB		Title: NB TOWER 30M PANEL 3					
Client 1:		Project: AFGHAN TELECOM					
Rev.	Design	Drawn	Checked	Approved	Date	Description	
00	--	S. Ghodiri	--	A. Solihour	10/13/14	--	
01	--	--	--	--	--	--	
02	--	--	--	--	--	--	

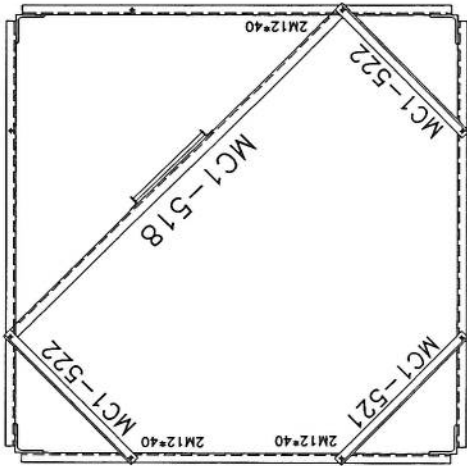


[Handwritten signature]

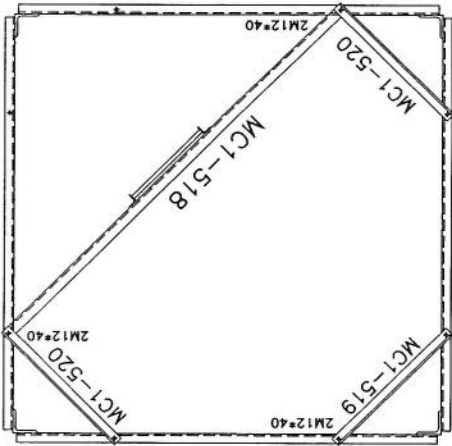


List Of Bolts - PANEL 5	
Specification	Qty
M12x40	194
M16x60	80

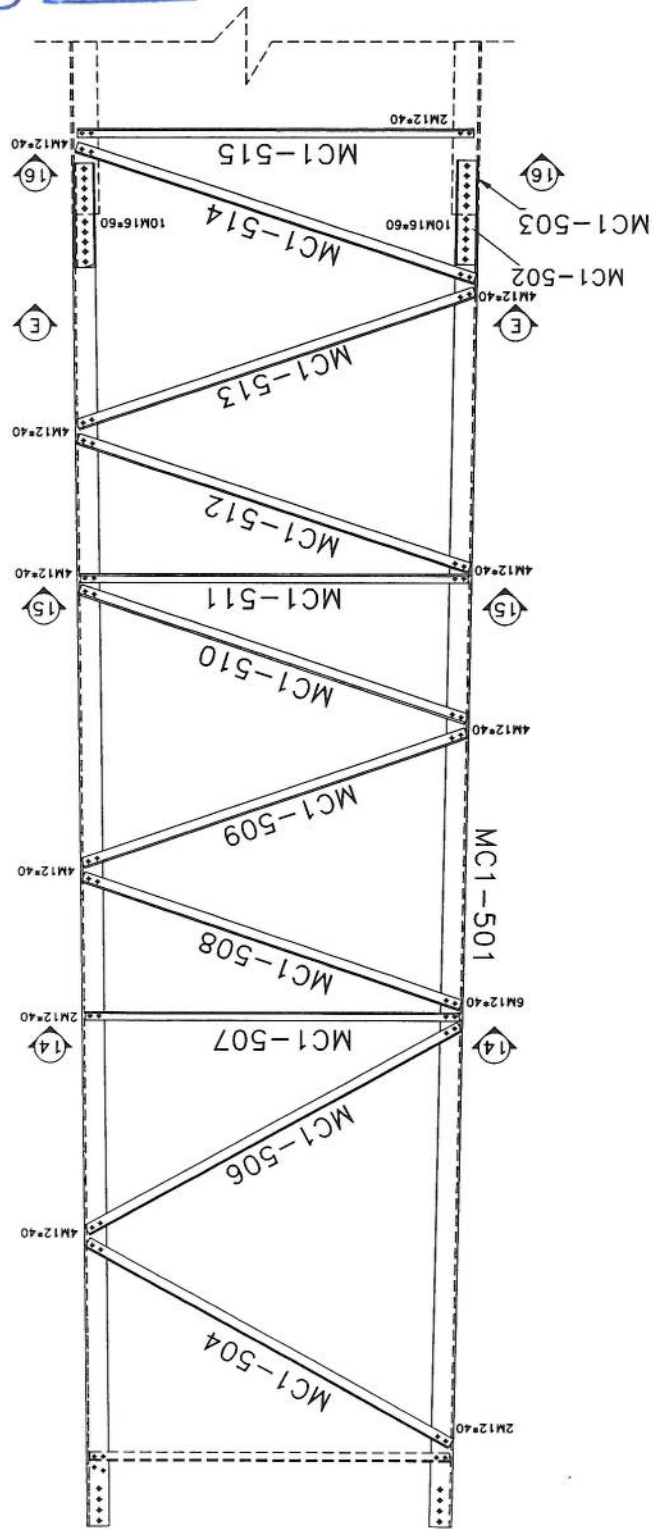
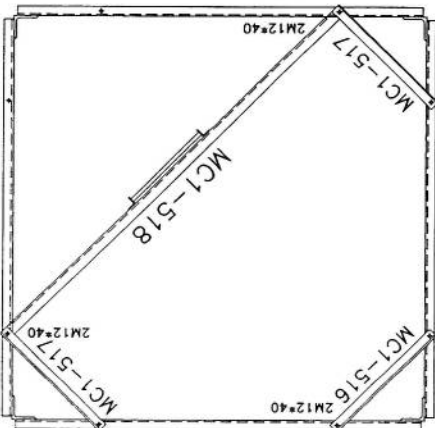
SEC. 16-16



SEC. 15-15



SEC. 14-14

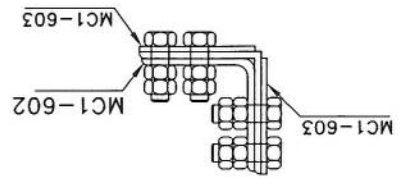


Project No.: _____		Tower Type: TOWER NB	
Scale: 1/11		Ref. No. 00	
Sheet No. 8		Title: NB TOWER 30M PANEL 4	
Client: AFGHAN TELECOM		Project: _____	
Rev.:		Design	Drawn
02	---	S. Ghodiri	---
01	---	---	---
00	---	---	---
Description		Checked	Approved
---		---	---
Date		A. Solahour 10/13/24	



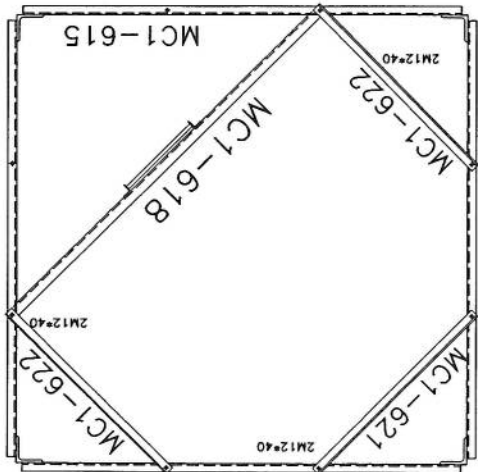
Handwritten signature in blue ink.

SEC. F-F

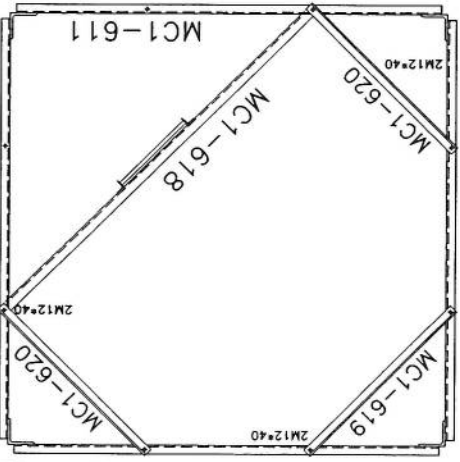


List of Bolts - PANEL 6	
Specification	Qty
M16x65	96
M12x45	24
M12x40	186

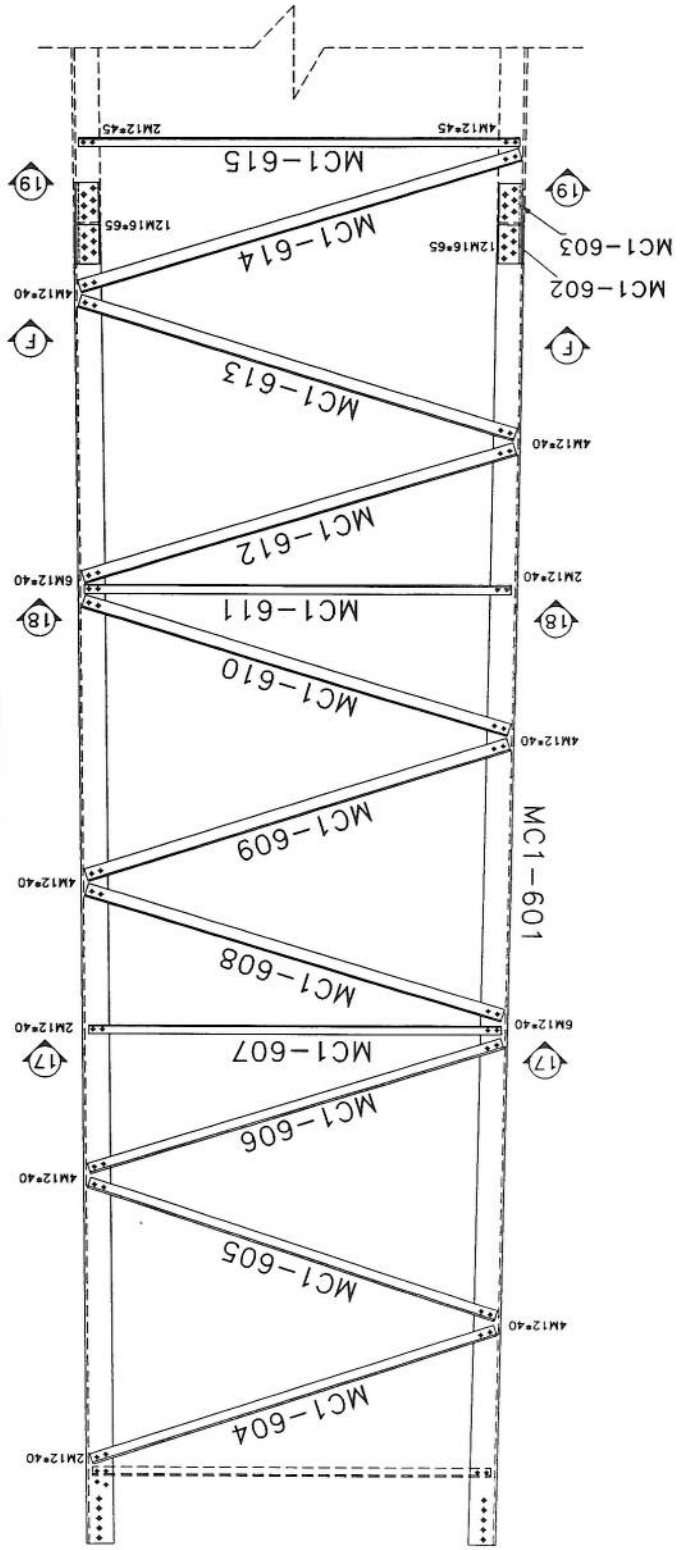
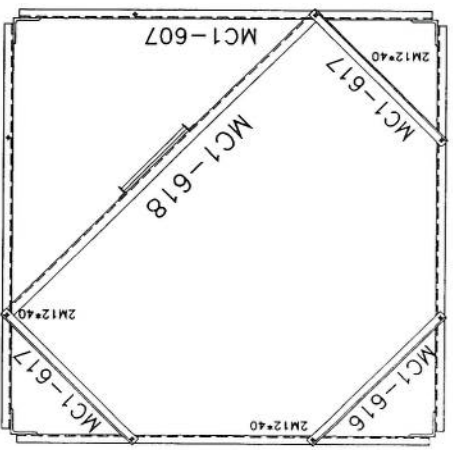
SEC. 19-19



SEC. 18-18



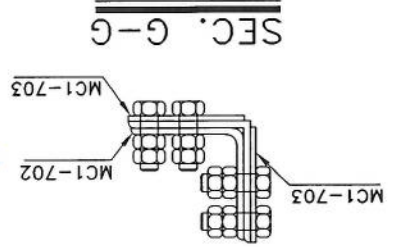
SEC. 17-17



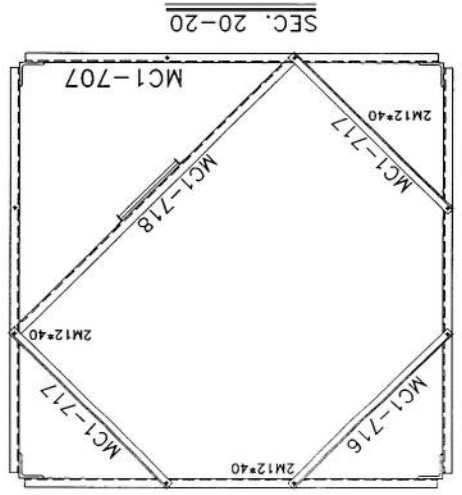
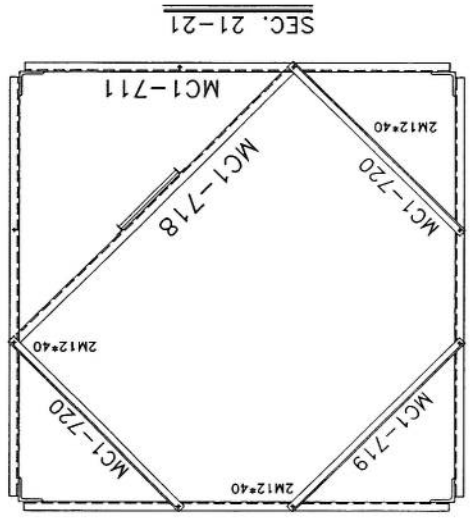
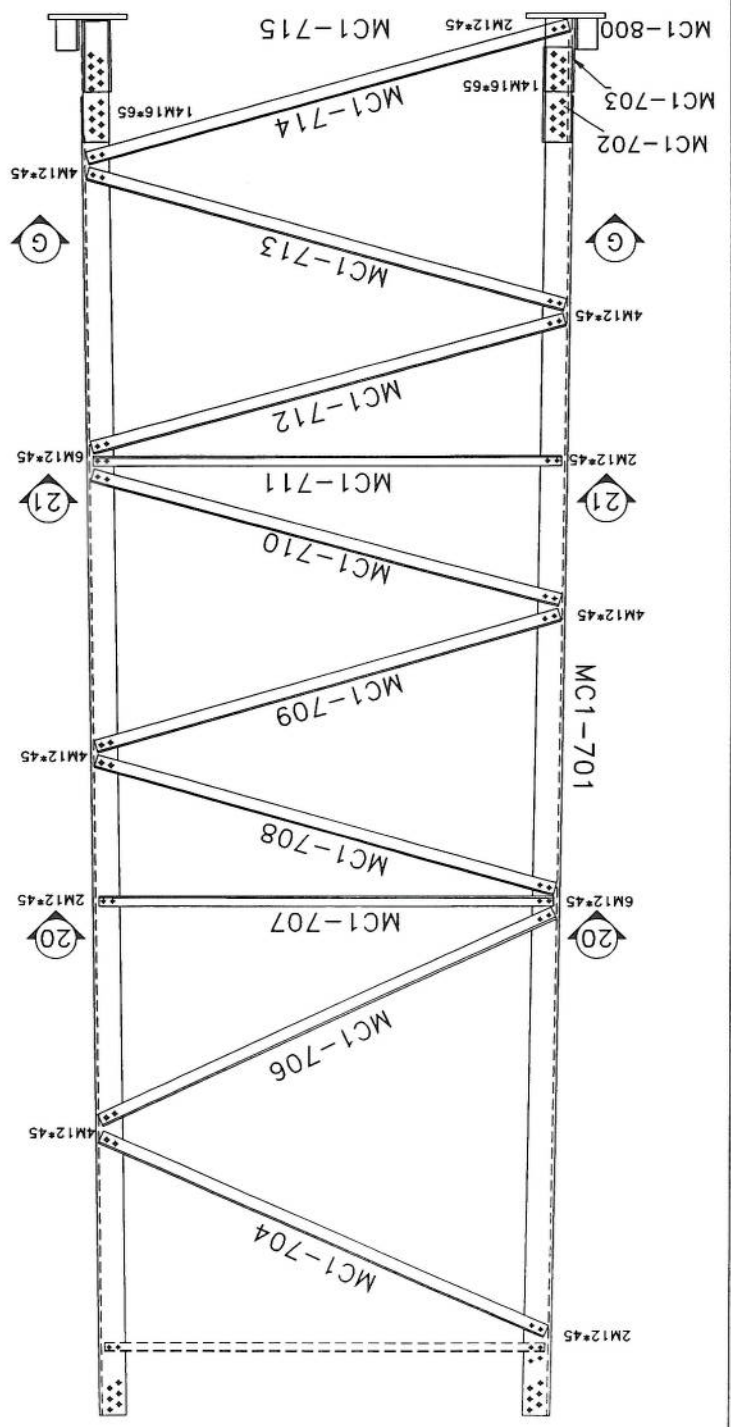
Project No.: _____		Scale: 1/11		Ref. No. 00		Sheet No. 5	
Tower Type: TOWER NB		Title: NB TOWER 30M PANEL 5					
Client: _____		Project: AFGHAN TELECOM					
Rev.	Design	Drawn	Checked	Approved	Date	Description	
00	--	S.Ghodiri	--	A.Solishour	10/13/24	-	
01	--		--			-	
02	--		--			-	



Handwritten signature in blue ink.



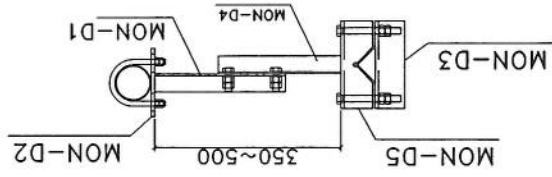
List Of Bolts - PANEL 7	
Specification	Qty
M12*40	18
M12*45	176
M16*65	112



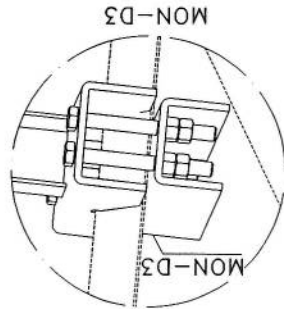
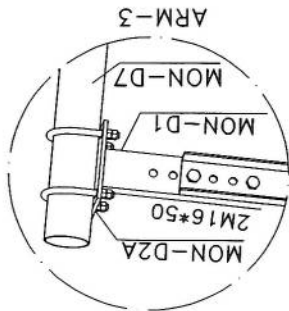
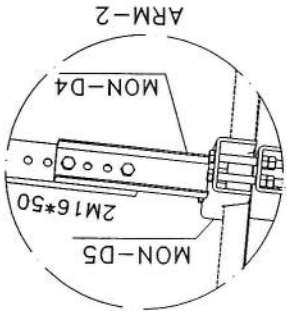
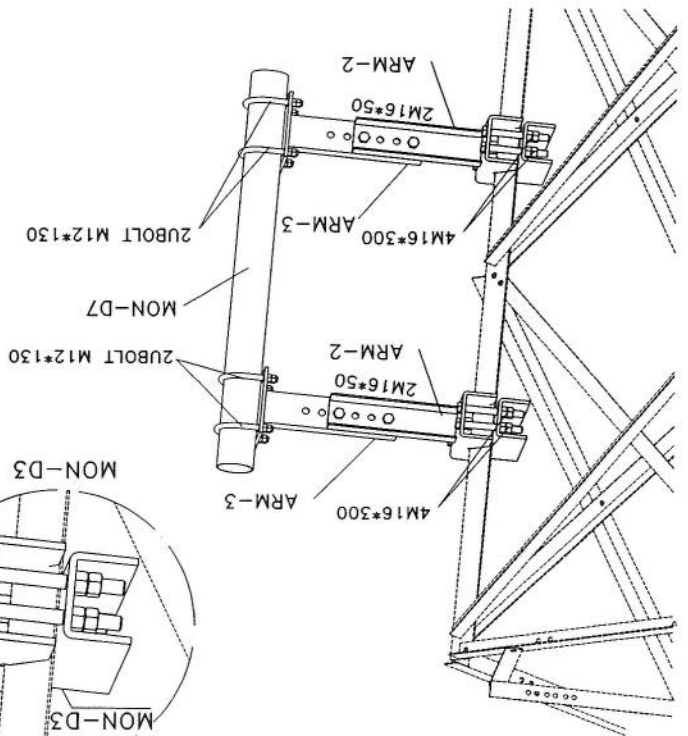
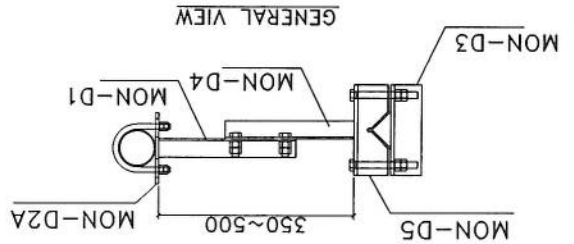
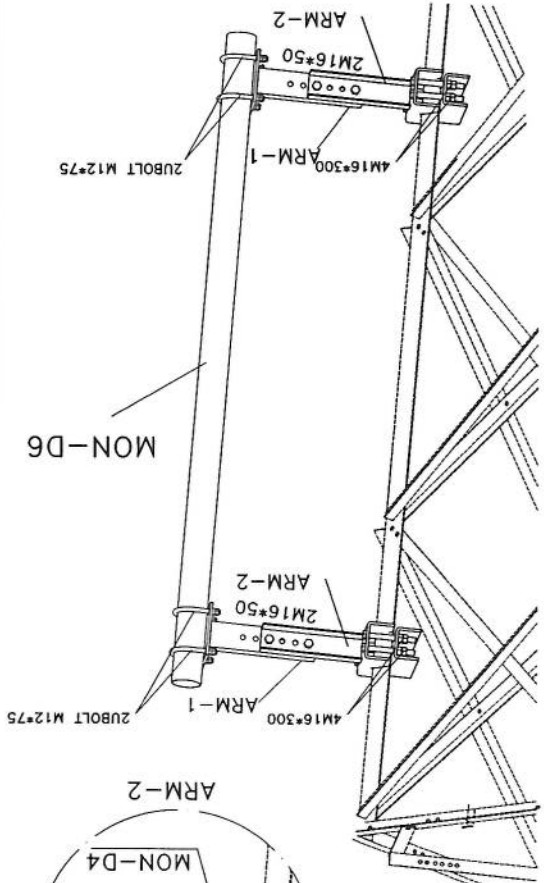
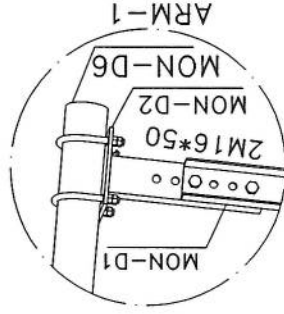
Project No.: Tower Type: TOWER NB		Scale: 1/11		Rev. No. 00		Sheet No. 12	
Title: NB TOWER 30M MOUNTING		Project: AFGHAN TELECOM					
Client: TOWERIST		Client: AFGHAN TELECOM					
Rev.	Design	Drawn	Checked	Approved	Date	Description	
00	--	S.Ghodiri	--	A.Solihour	01/13/24	--	--
01	--	S.Ghodiri	--	A.Solihour	01/02/24	--	--
02	--	S.Ghodiri	--	A.Solihour	01/03/11	--	--



GENERAL VIEW



ASSEMBLY	POSITION	SIZE	QUANTITY
ARM-1	MON-D1	UNP80	2
ARM-1	MON-D2	PL8	2
	MON-D4	UNP80	2
ARM-2	MON-D5	PL8	1
	MON-D6	PIPE60*1.3	1
BOLT	M16*300	--	8
UBOLT	M12*130	--	4



ASSEMBLY	POSITION	SIZE	QUANTITY
ARM-3	MON-D1	UNP80	2
ARM-3	MON-D2A	PL8	2
	MON-D3	PL8	2
ARM-2	MON-D4	UNP80	1
	MON-D5	PL8	1
MON-D7	PIPE115*1.3	--	1
BOLT	M16*300	--	8
UBOLT	M12*130	--	4

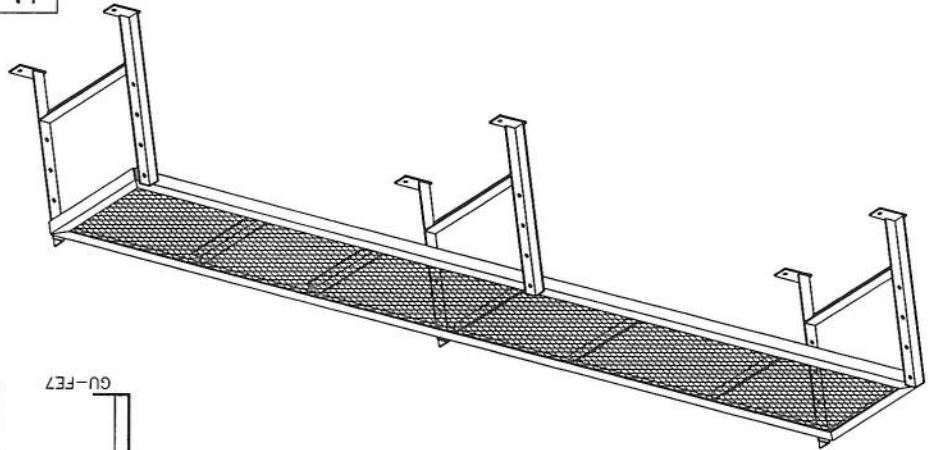
BILL OF MATERIAL MW

Project No.:		Scale: 1/11		Ref. No. 00		Sheet No. 12	
Tower Type: TOWER NB		Title: NB TOWER 30M PLATFORM 3M					
Client:		Project: AFGHAN TELECOM					
Rev.		Design		Drawn		Checked	
02	--	S.Ghadiri		A.Salohshour		01/03/11	
01	--	S.Ghadiri		A.Salohshour		01/02/24	
00	--	S.Ghadiri		A.Salohshour		10/13/24	
Description		-					

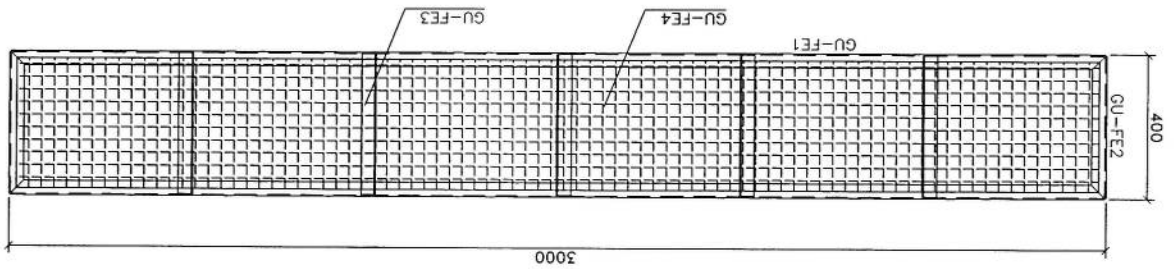
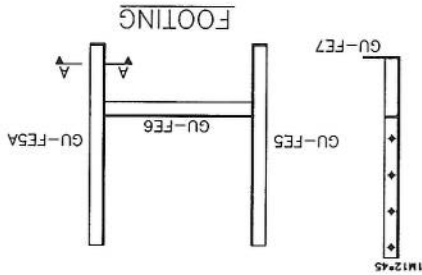
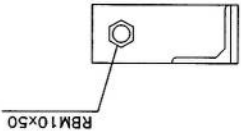


Handwritten signature in blue ink.

List Of Bolts - LADDER	
Specification	Qty
M12*45	6
RBM10x50	6



SECTION A-A



Project No.:		Scale: 1/11		Ref. No. 00		Sheet No. 10	
Tower Type: TOWER NB		Title: NB TOWER 30M LADDER					
Client:		Project: AFGHAN TELECOM					
Rev.	Design	Drawn	Checked	Approved	Date	Description	
00	--	S. Ghodini	--	A. Solishour	10/13/24	-	
01	--	--	--	--	--	-	
02	--	--	--	--	--	-	

List Of Bolts - LADDER	
Specification	Qty
J10*90	60
GR5.6	
M10*40	134
GR8.8	



Satty Hoop And Rack Feeder

