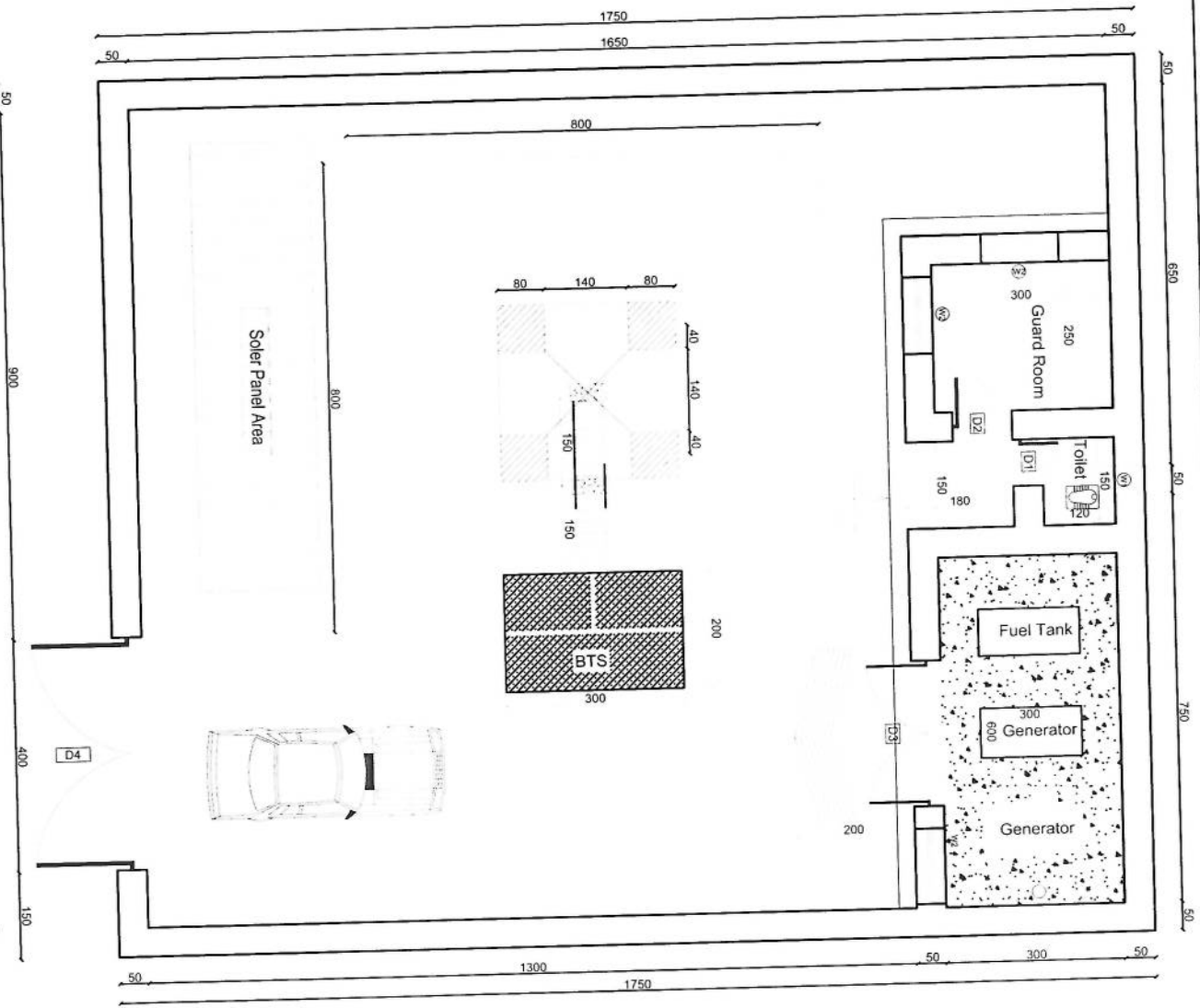






NORTH  
WEST — EAST  
— SOUTH



01  
REF. A101  
SITE PLAN  
SCALE: 1:100

REVISION RECORDS

REVISION NO.	DATE	DESCRIPTION
01	03/06/2025	ISSUE DATE

LEGEND

- (W1) WINDOW TYPE 1
- (W2) WINDOW TYPE 2
- (D1) DOOR TYPE 1
- (D2) DOOR TYPE 2
- (D3) DOOR TYPE 3
- (D4) DOOR TYPE 4

PROJECT TITLE NO:

REPENTER SITE

DRAWING TITLE:

SITE PLAN WITH FENCE WALL

DRAWN BY:  
CIVIL TEAM

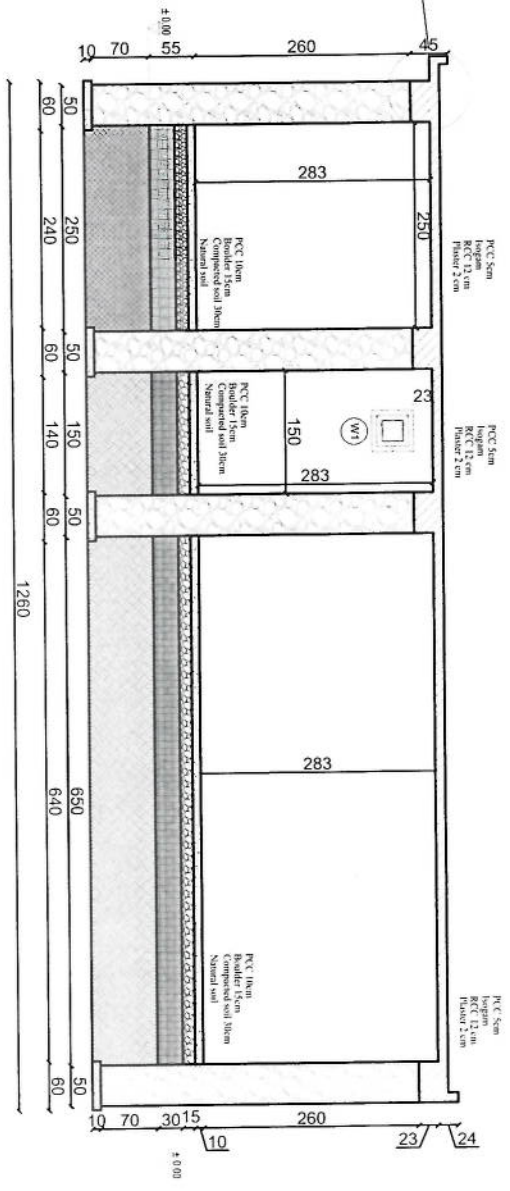
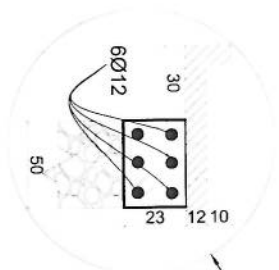
CHECKED BY:

APPROVED BY:

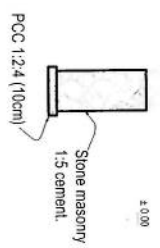
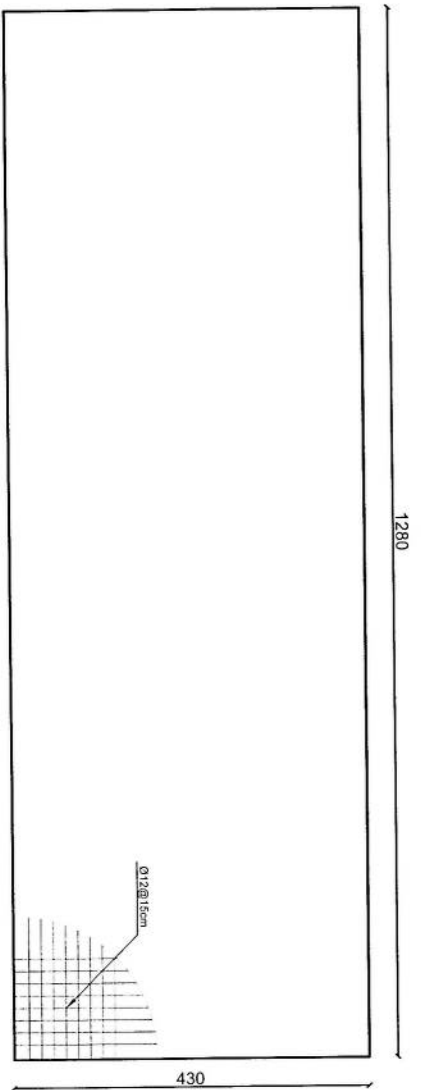
SCALE: 1:100  
ACTUAL DATE: 03/06/2025  
ISSUE DATE: 03/06/2025  
DRG NO.: 01

OWNER: AFGHAN TELECOM





Section B-B



Well for toilet

REVISION RECORDS

REVISION NO	DATE	DESCRIPTION
01	03/08/2025	ISSUE FOR PERMIT

LEGEND:

MASS CONCRETE	1:2:4
PCC (PLASTER)	1:2:4
RC	1:2:4
Ø12@15cm	1:2:4

PROJECT TITLE / NO:  
REPEATER SITE

DRAWING TITLE:  
GENERATOR ROOM

DRAWN BY:  
CIVIL TEAM

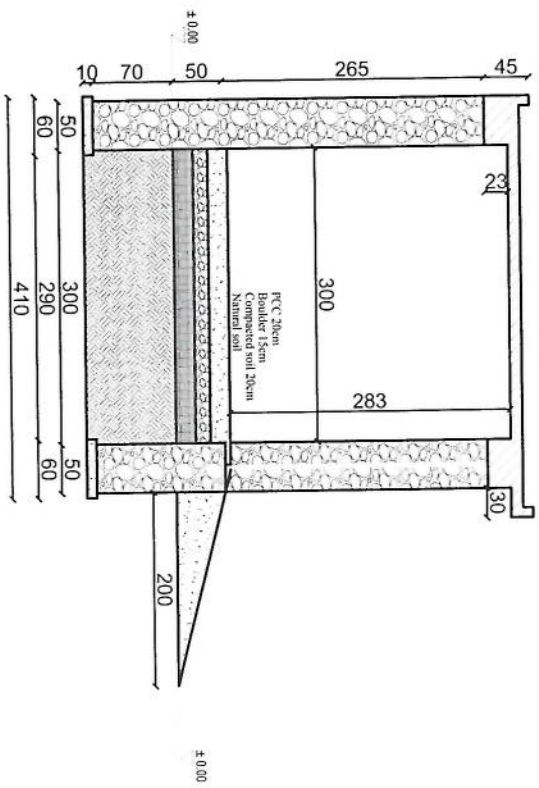
CHECKED BY:  
CIVIL TEAM

APPROVED BY:  
CIVIL TEAM

SCALE: 1:75  
ACTUAL DATE: 03/08/2025  
ISSUE DATE: 03/08/2025  
DRG NO: 05

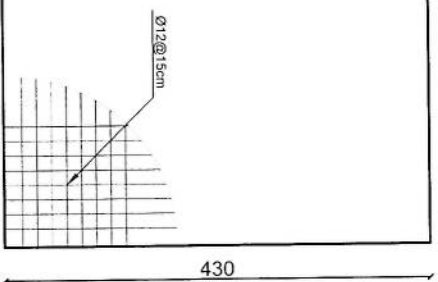
OWNER: AFGHANI TELECOM

10 410 19  
 RCC 5cm  
 Insulation  
 RCC 12 cm  
 Plaster 2 cm



Section D-D

1280



REVISION RECORDS

REVISION NO.	DATE	DESCRIPTION

LEGEND:

- Brick Field
- STONE MASADAR
- PIE
- WINDOWS TYPE
- DOOR TYPE
- GROUND LEVEL

PROJECT TITLE / NO.  
 REPEATER SITE

DRAWING TITLE:  
 TOILET

DRAWN BY:  
 CIVIL TEAM  
 CHECKED BY:

APPROVED BY:  
 SCALE: 1:50  
 ACTUAL DATE: 01/09/2020 DRG NO. 06  
 ISSUE DATE:  
 OWNER:  
 AFGHAN TELECOM

06 TOILET  
 REF. A106  
 SCALE: 1:50

Rebar details of Generator Ceiling

REVISION RECORDS

REVISION NO.	DATE	DESCRIPTION
01	03/06/2025	ISSUE DATE

LEGEND:

- (W1) WINDOWS TYPE 1
- (W2) WINDOWS TYPE 2
- (D1) DOOR TYPE 1
- (D2) DOOR TYPE 2
- (D3) DOOR TYPE 3

PROJECT TITLE / NO:

REVEATER SITE

DRAWING TITLE:

DOORS & WINDOWS DETAILS

DRAWN BY:

CIVIL TEAM

CHECKED BY:

APPROVED BY:

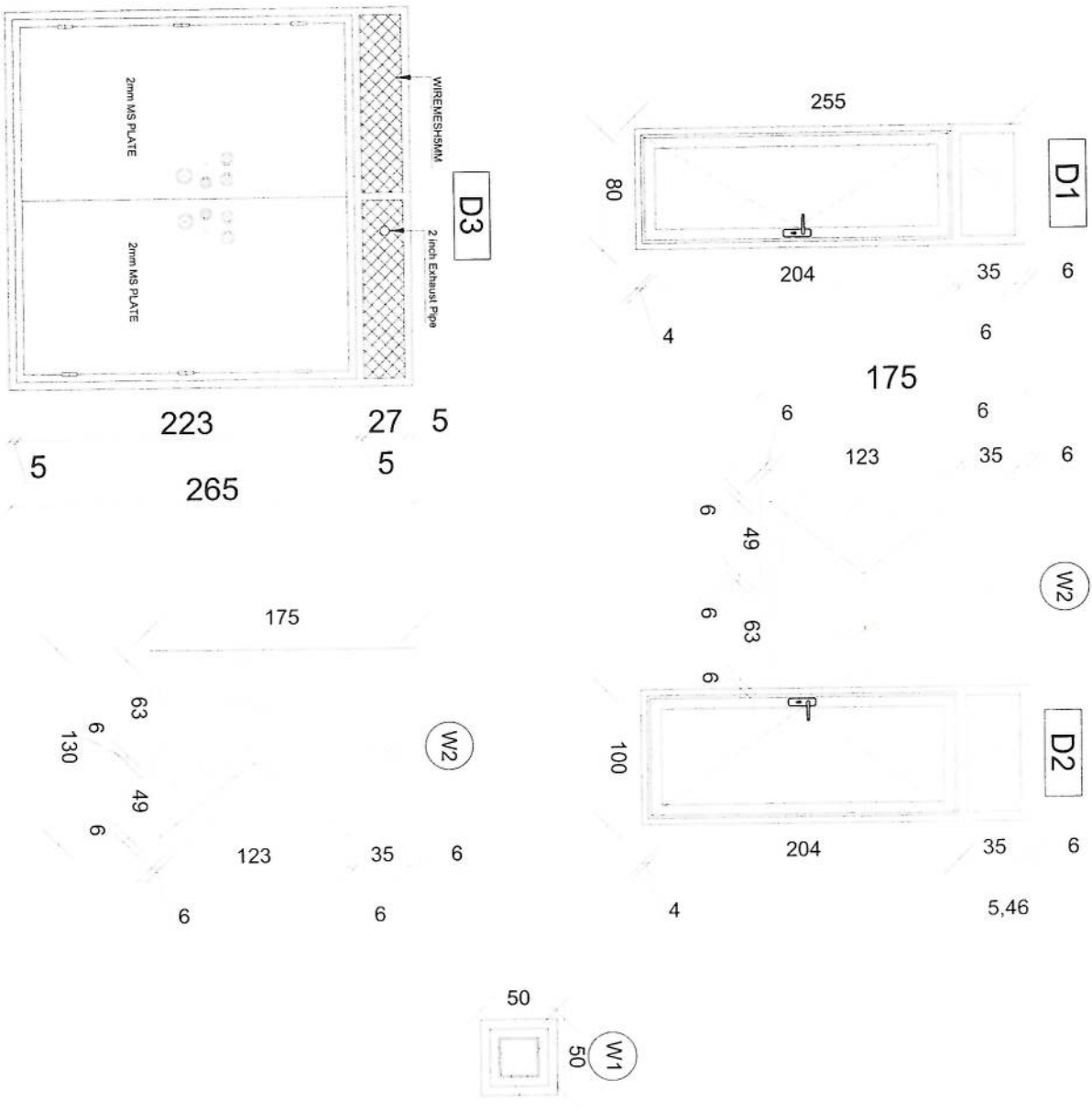
SCALE: 1:50

ACTUAL DATE: 03/06/2025

ISSUE DATE: 03/06/2025

OWNER: AFGHAN TELECOM

System Telecommunication Company  
AFGHANISTAN



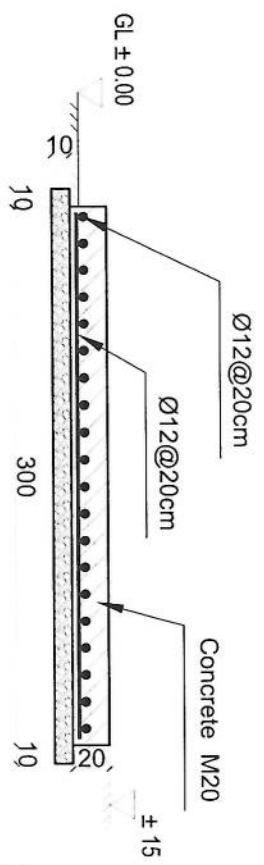
DOORS & WINDOWS DETAILS

REF. A107

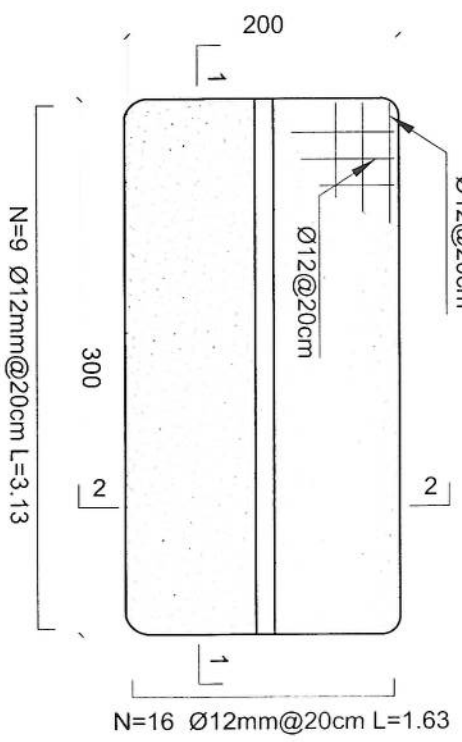
SCALE: 1:25

*Handwritten signature in blue ink.*

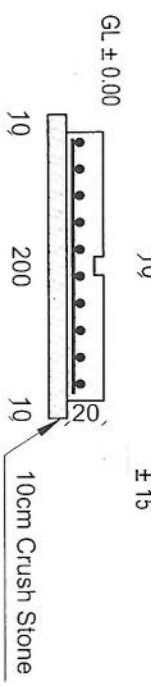
- Notes:
1. The foundation is adopts reinforced concrete, the concrete is M20; (M20:compressive strength is 20N/mm<sup>2</sup>); the foundation lays on a 10cm thick crush stone pad;
  2. Ø12: mild steel, rebars strength 210N/mm<sup>2</sup>
  3. minimum concrete cover for rebar is 3.5cm,
  4. All units are in cm
  5. All edges of the Slab should be curve



1-1 section



Outdoor BTS Foundation



2-2 section

REVISION RECORDS

REVISION NO.	DATE	DESCRIPTION
01	03/08/2025	ISSUE FOR CONSTRUCTION

LEGEND:

Ø12@20cm	Ø12mm@20cm
M20	Concrete M20
10cm	10cm Crush Stone

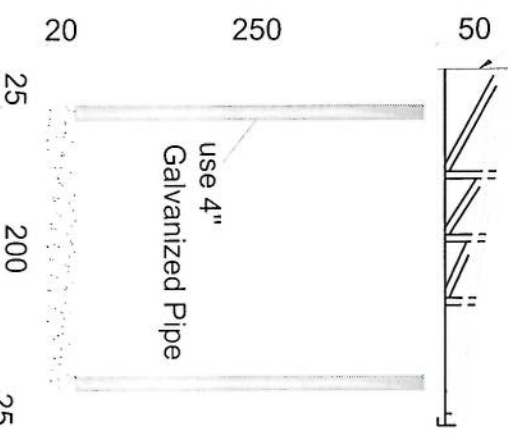
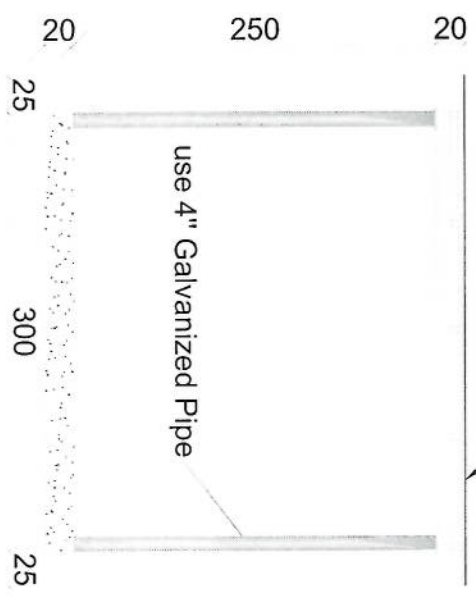
PROJECT TITLE / NO:  
REPEATER SITE  
DRAWING TITLE:  
ZTE OUTDOOR BTS FOUNDATION  
BTS

DRAWN BY:  
CIVIL TEAM  
CHECKED BY:

APPROVED BY:  
SCALE: 1:25  
ACTUAL DATE: 03/08/2025  
ISSUE DATE:  
DRG NO: 09  
OWNER: AFGHAN TELECOM

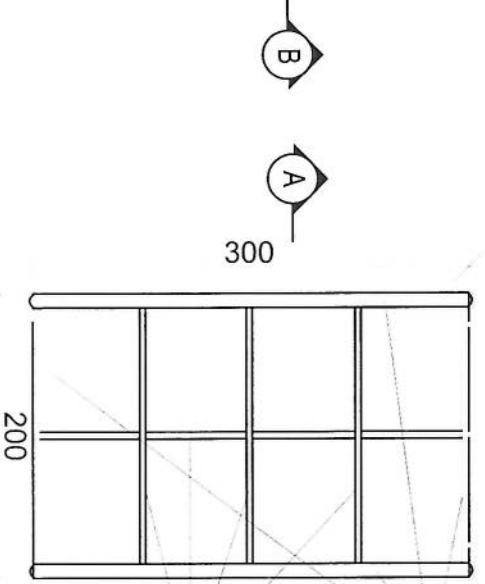
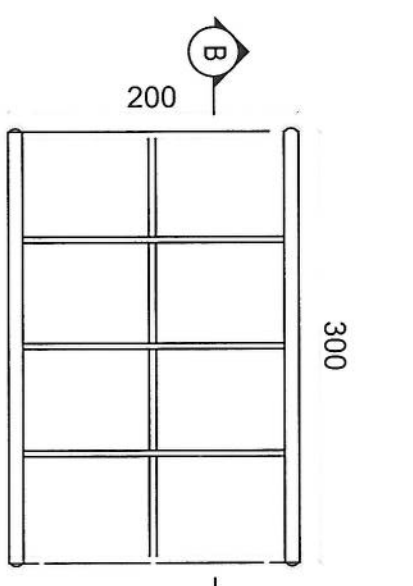
24 Gage GI Sheet

24 Gage GI sheet



Section BB

Section AA



use (100 x 100) 2mm thick channel  
 use (50 x 100) 2mm thick channel

REVISION RECORDS

REVISION NO	DATE	DESCRIPTION

LEGEND:

□ CHANNEL SECTION

□ PCC

PROJECT TITLE / NO:  
 REPEATERS SITE

DRAWING TITLE:  
 SUN SHELTER FOR ZTE BTS  
 BTS

DRAWN BY:  
 CIVIL TEAM  
 CHECKED BY:

APPROVED BY:

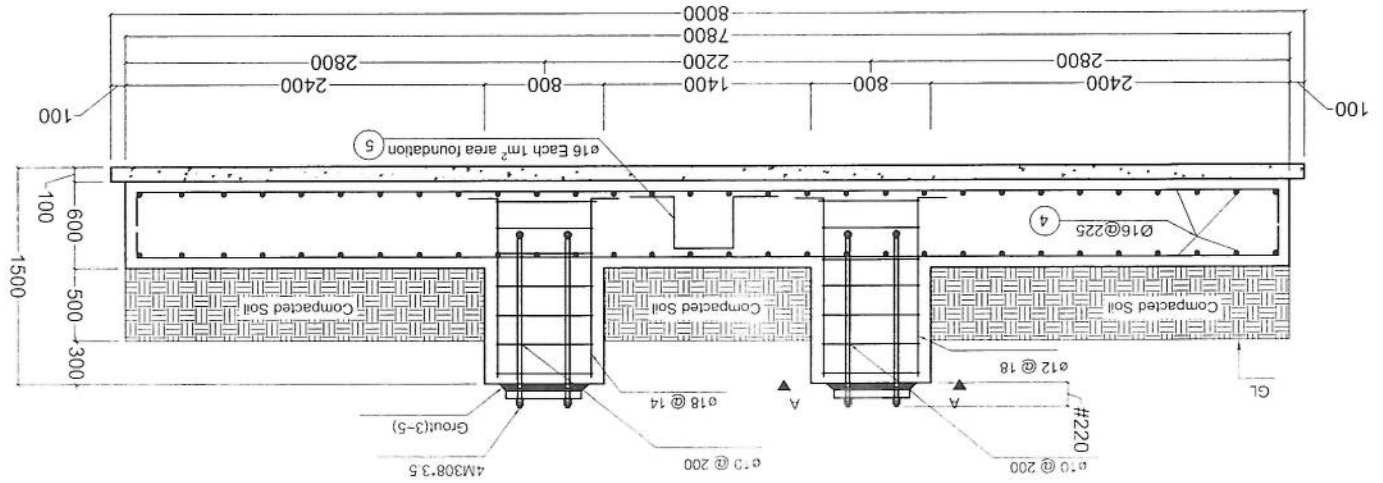
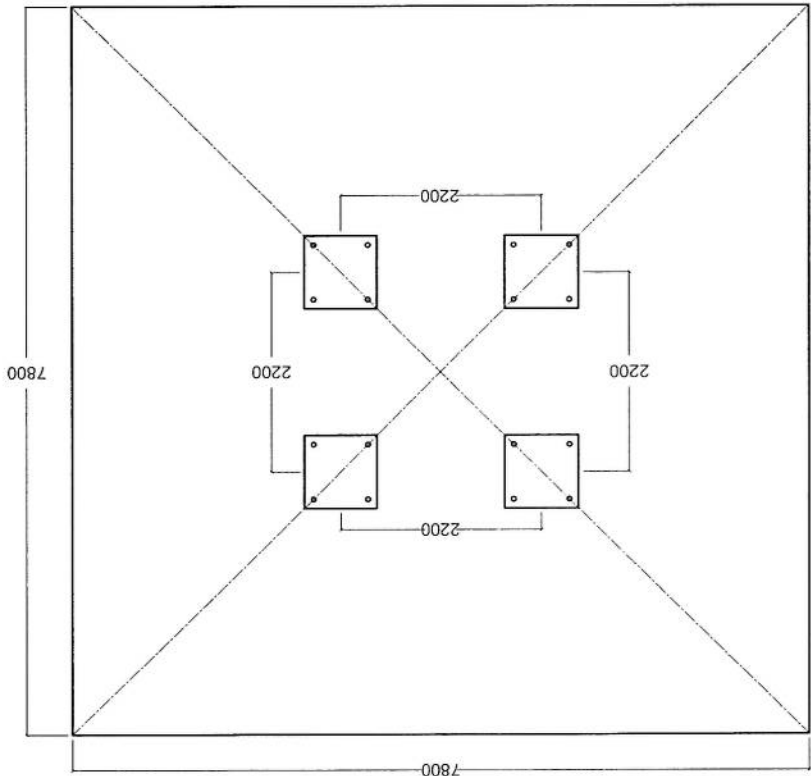
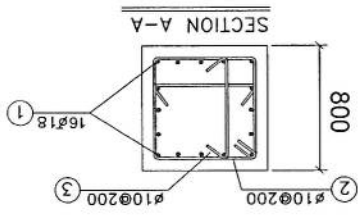
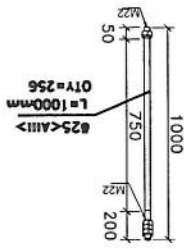
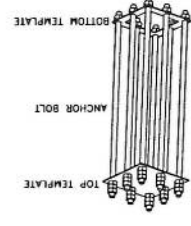
SCALE: 1:50  
 ACTUAL DATE: 03/09/2025  
 ISSUE DATE:  
 DRG. NO. 10

OWNER:  
 AFGHAN TELECOM

*Handwritten signature*

Bill of Material				
Pos	Shape	Dia(mm)	Length(m)	Quantity
1	1250 x 250	18	1.50	64
2	65 x 100	10	2.8	28
3	100 x 650	10	0.85	56
4	250 x 7650	16	8.15	140
5	450 x 400	16	2.20	59
Concrete Volume: 38.55 m <sup>3</sup>				Total Weight = 2216 kg
Total			Total Length(m)	Total Weight
			96	192
			79.00	49
			48.00	30
			1203	1741
			130	204

- Notes:
- All Dimensions are in mm.
  - F<sub>c</sub> of concrete = 250 kg/cm<sup>2</sup>.
  - F<sub>y</sub> of longitudinal Bars = 4000 kg/cm<sup>2</sup>.
  - Cover = 7.5 cm.
  - Soil Allowable Stress = 1.5-2 kg/Cm<sup>2</sup>.
  - Concrete to be poured max in low stages.
  - Concrete to confirm the specification.



REVISION RECORDS	
NO	DESCRIPTION

عنوان:   
 تاریخ:   
 شرح:   
 PCC

PROJECT TITLE / NO:   
 GSM SITES

DRAWING TITLE:   
 30m Tower Grounding System

DRAWN BY:   
 CIVIL TEAM

CHECKED BY:

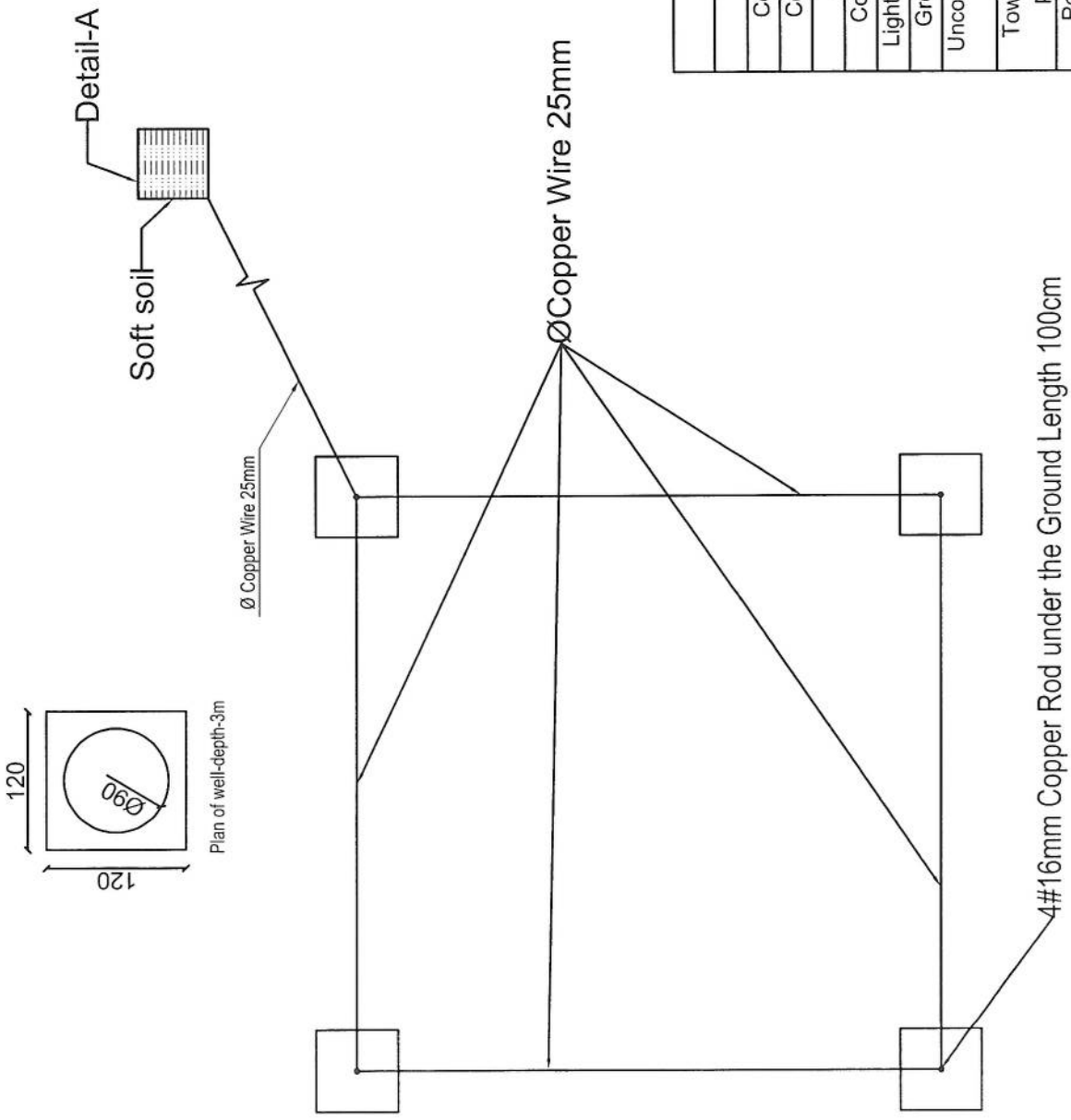
APPROVED BY:

SCALE: 1:75

ACTUAL DATE: 14/05/2025   
 ISSUE DATE:

DRG NO: 23

OWNER: AFGHAN TELECOM   
 Salam Telecommunication Company   
 KABUL, AFGHANISTAN



Item	Quantity	Dimension
Copper Rod	4 Pcs	1m*Ø16mm
Copper Rod	1 Pcs	2m*Ø16mm
Busbar	5 Pcs	35cm*5cm*5mm
Copper Plate	1 Pcs	60cm*60cm*3mm
Lightning Arrestor	1 Pcs	1m
Ground Cable	45m	25mm
Uncovered Ground Cable	12m	25mm
Tower Light with photo cell	1 Pcs	48V DC
Power Cable	50m	2*2mm

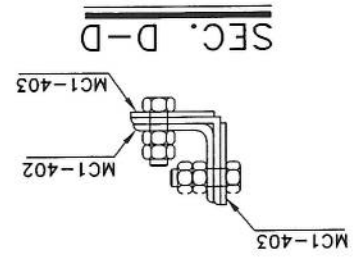
23 Grounding system- well plan & section   
 REF. A101   
 SCALE: 1:75



Project No.:		Scale: 1/11		Ref. No. 00		Sheet No. 2	
Tower Type: TOWER NB		Title: NB TOWER 30m					
Client: AFGHAN TELECOM		Project: PANEL 2					
Rev.	Design	Drawn	Checked	Approved	Date	Description	
00	--	S. Ghodhi	--	A. Solishour/10/13/2024			
01	--		--				
02	--		--				

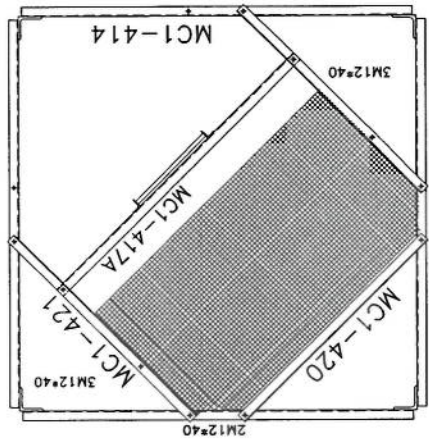


*Handwritten signature in blue ink.*

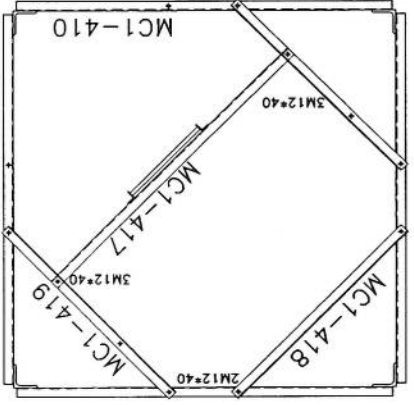


List of Bolts - PANEL 4	
Specification	Qty
M12*40	200
M16*60	64

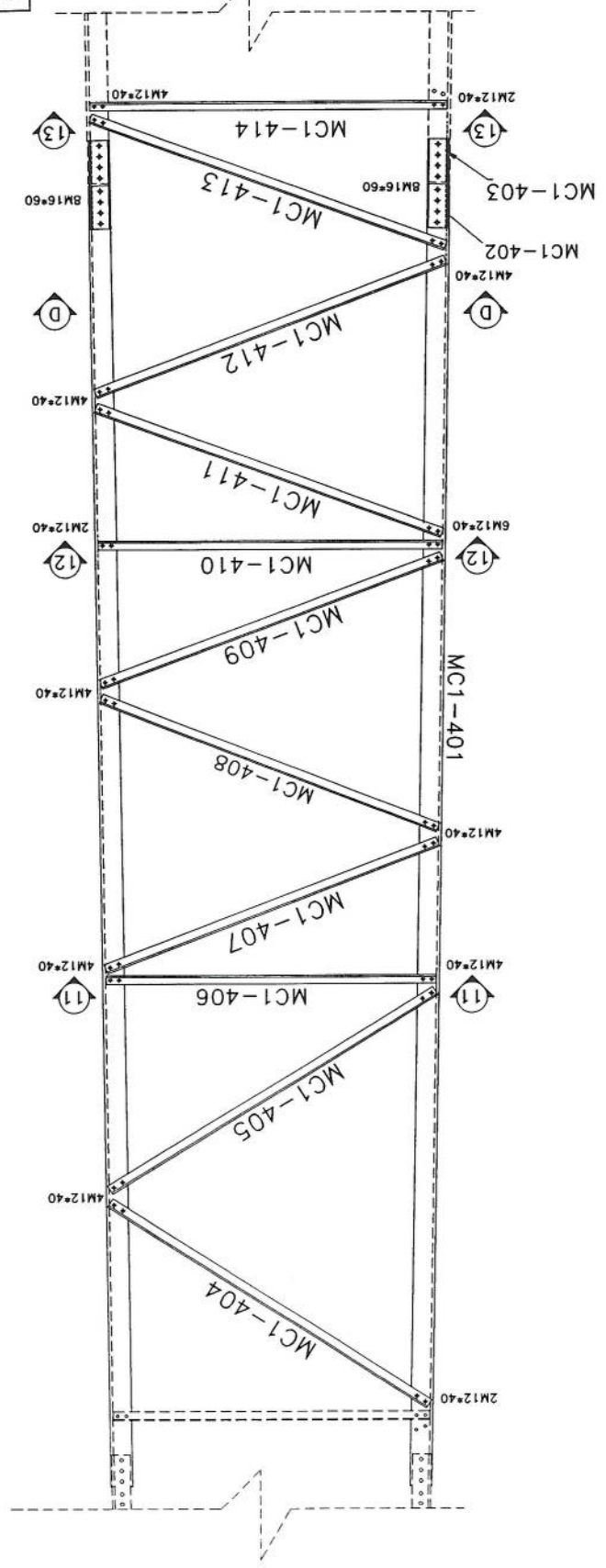
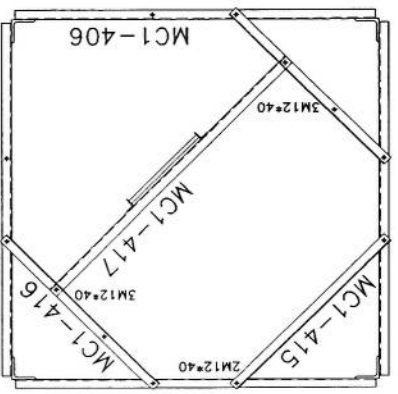
SEC. 13-13




SEC. 12-12

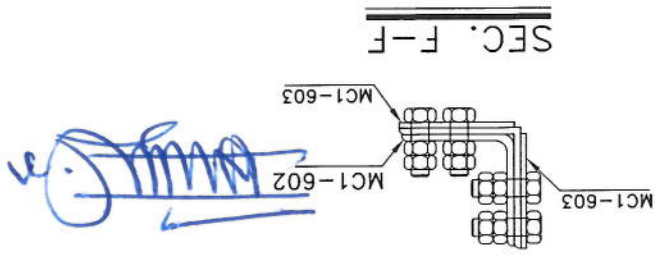


SEC. 11-11

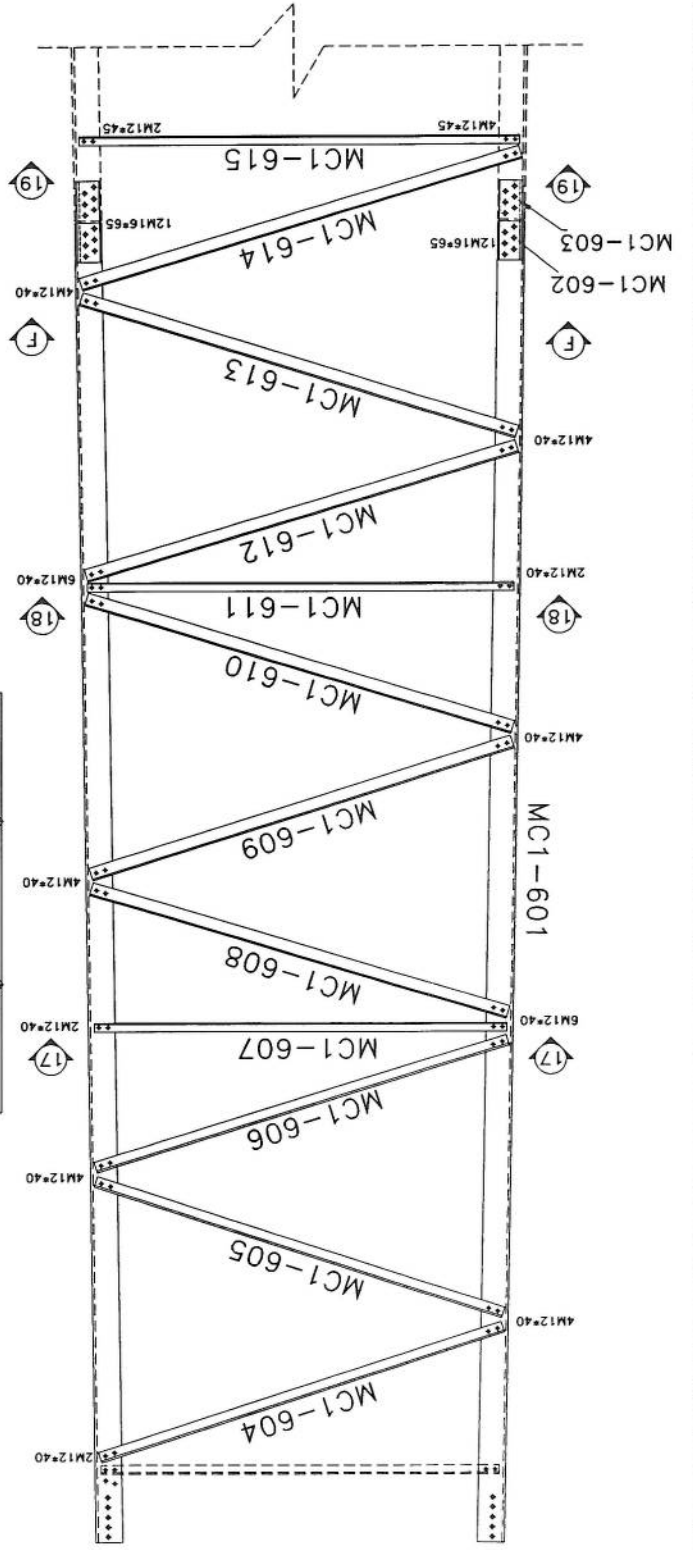
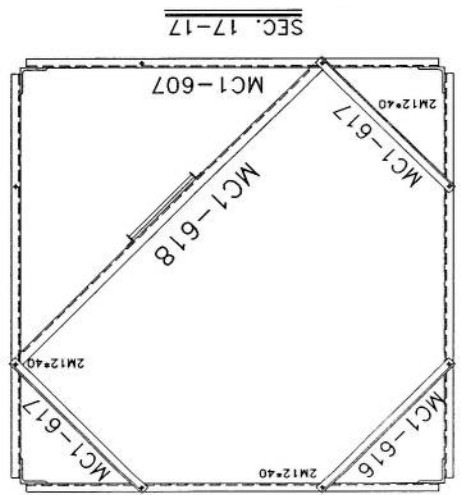
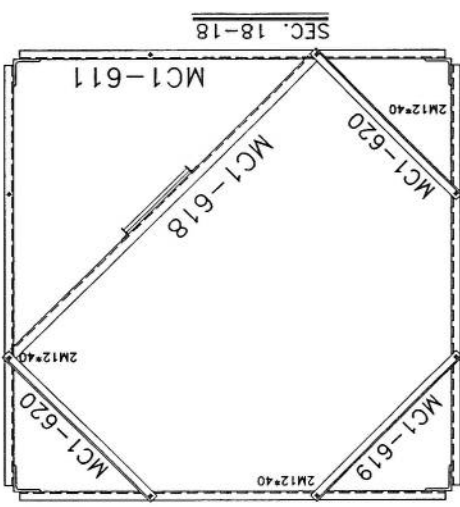
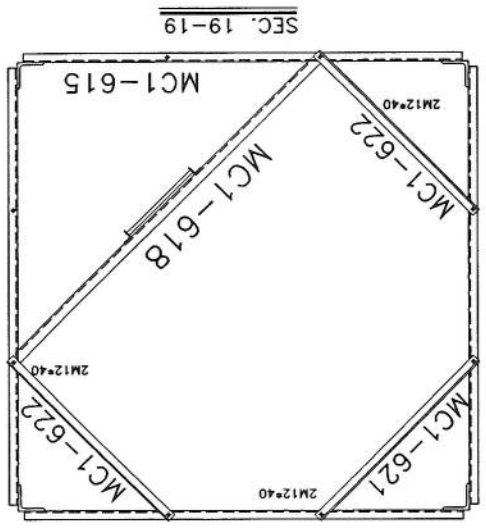




Project No.: _____		Tower Type: TOWER NB	
Scale: 1/11		Ref. No. 00	
Sheet No. 5		Title: NB TOWER 30M PANEL 4	
Client: _____		Project: AFGHAN TELECOM	
		Tower Type: TOWER NB	
Rev.	Design	Drawn	S. Ghadiri
00	---	---	---
01	---	---	---
02	---	---	---
Checked	Approved	Date	Description
---	A. Solahour	10/13/24	---



List of Bolts - PANEL 6	
Specification	Qty
M12x40	186
M12x45	24
M16x65	96



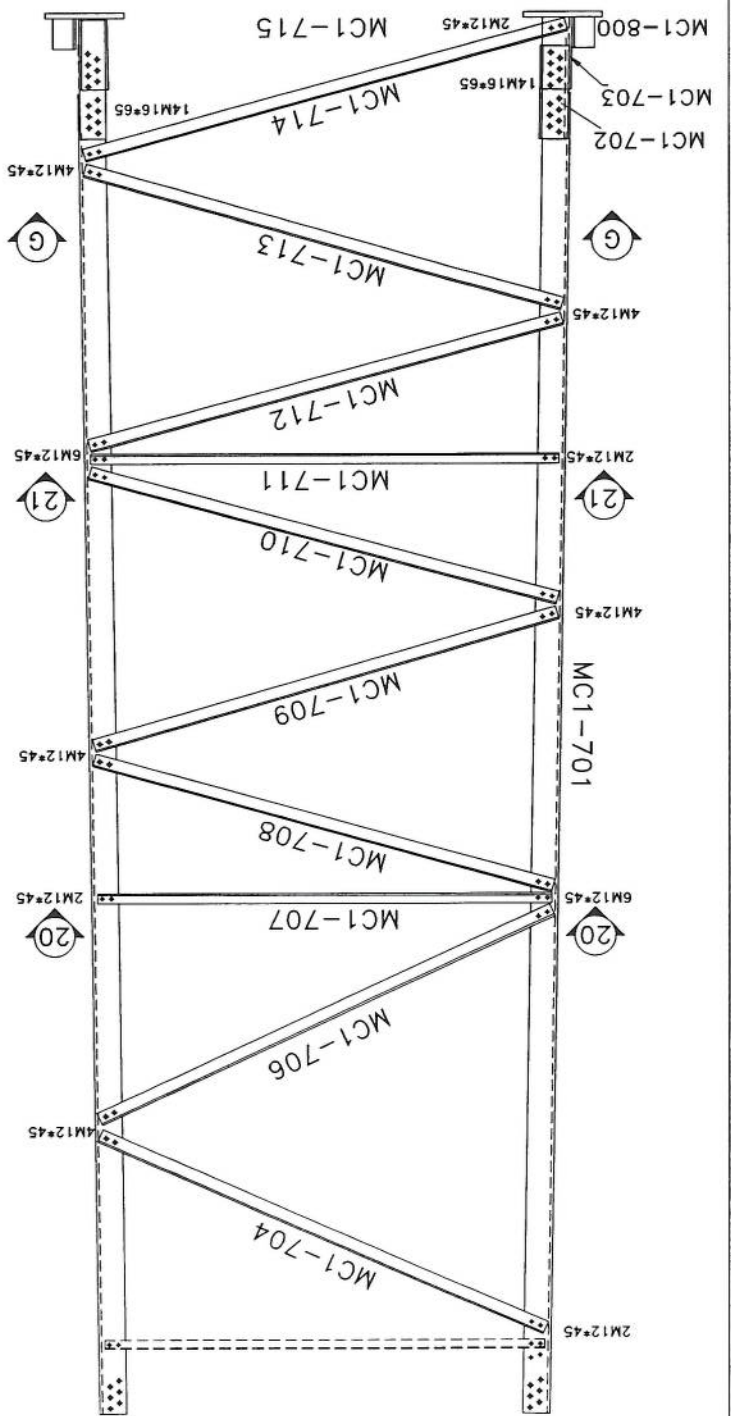
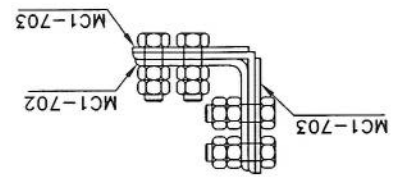
Project No.: _____		Scale: 1/11		Ref. No. 00		Sheet No. 5	
Tower Type: TOWER NB		Title: NB TOWER 30M PANEL 5					
Client: _____		Project: AFGHAN TELECOM					
Rev.:		Design	Drawn	Checked	Approved	Date	Description
00	---	---	S.Rhodif	---	A.Solishour	10/13/24	---
01	---	---	---	---	---	---	---
02	---	---	---	---	---	---	---



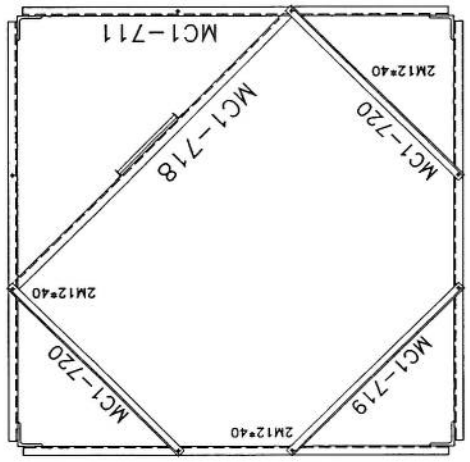
List of Bolts - PANEL 7

Specification	Qty
M12x40	18
M12x45	176
M16x65	112

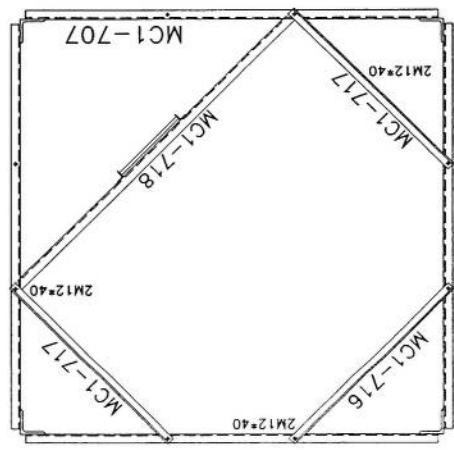
SEC. G-G



SEC. 21-21



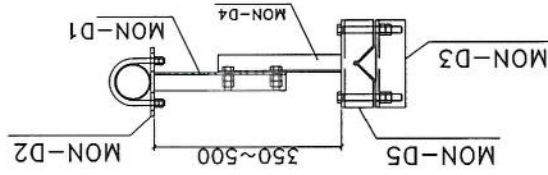
SEC. 20-20



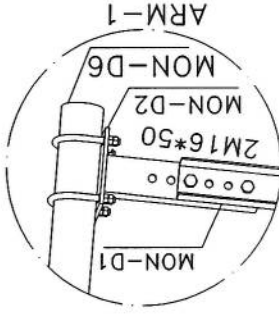
Project No.:		Scale: 1/11		Rev. No. 00		Sheet No. 12	
Tower Type: TOWER NB		Title: NB TOWER 30M MOUNTING					
Client: AFGHAN TELECOM		Project: AFGHAN TELECOM					
Rev.	Design	Drawn	Checked	Approved	Date	Description	
00	---	S.Ghodiri	---	A.Solohour	10/13/24	---	---
01	---	S.Ghodiri	---	A.Solohour	01/02/24	---	---
02	---	S.Ghodiri	---	A.Solohour	01/03/24	---	---



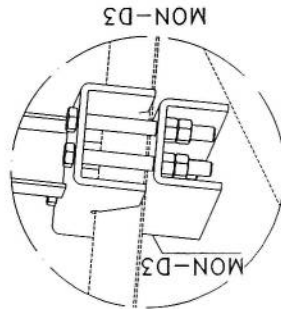
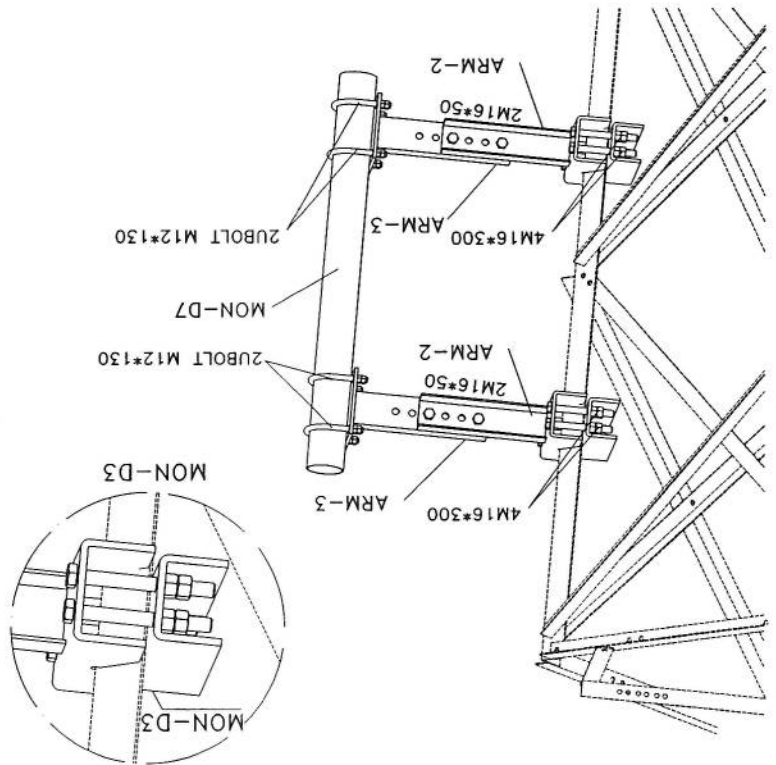
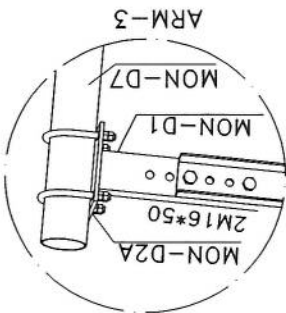
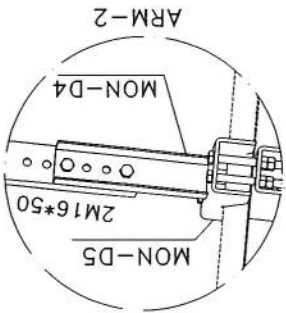
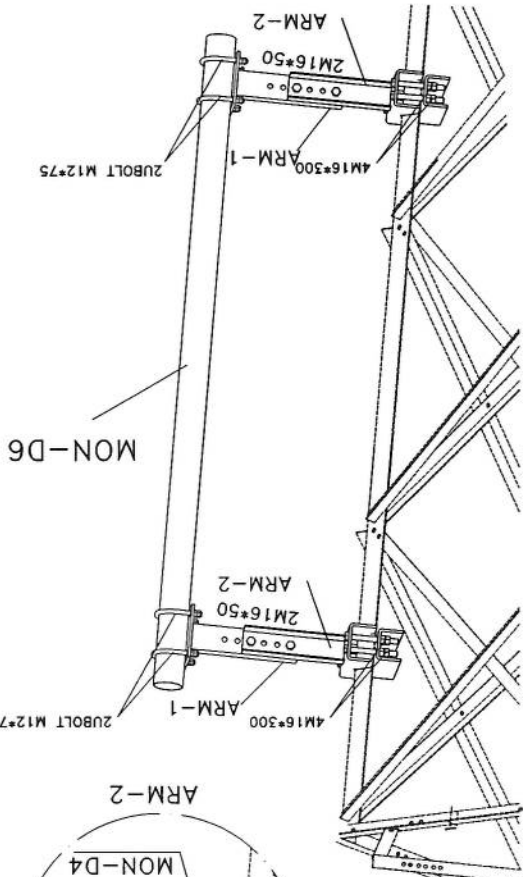
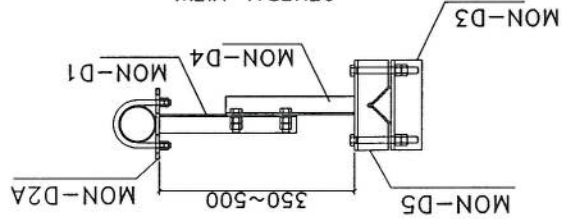
GENERAL VIEW



ASSEMBLY	POSITION	SIZE	QUANTITY
ARM-1	MON-D1	UNP80	2
ARM-1	MON-D2	PL8	2
	MON-D4	UNP80	2
ARM-2	MON-D5	PL8	2
	MON-D6	PIPE60*13	1
BOLT	M16*300	-	8
UBOLT	M12*130	-	4



GENERAL VIEW

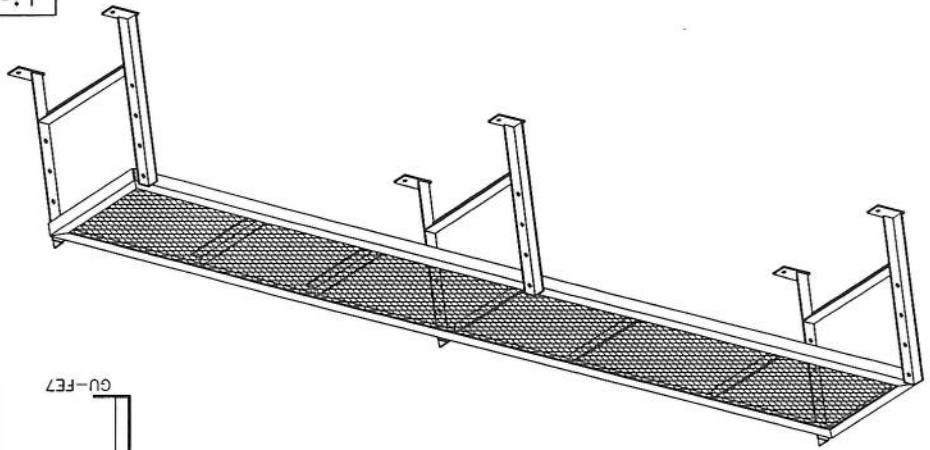


ASSEMBLY	POSITION	SIZE	QUANTITY
ARM-3	MON-D1	UNP80	2
ARM-3	MON-D2A	UNP80	2
	MON-D3	PL8	2
ARM-2	MON-D4	UNP80	2
	MON-D5	PL8	2
MON-D7	PIPE115*13	-	1
BOLT	M16*300	-	8
UBOLT	M12*130	-	4

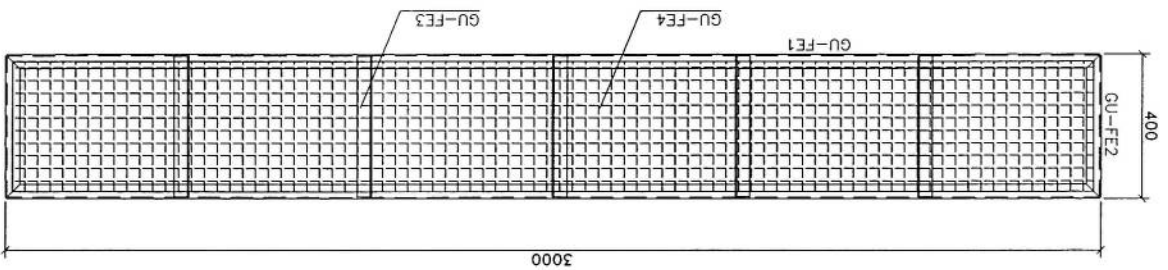
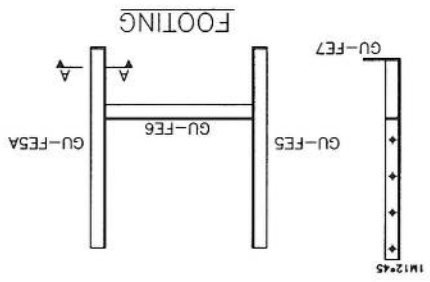
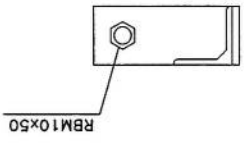
Project No.: 00		Scale: 1/11		Ref. No. 00		Sheet No. 12	
Tower Type: TOWER NB		Title: NB TOWER 30M PLATFORM 3M					
Client: AFGHAN TELECOM		Project: AFGHAN TELECOM					
Rev.		Design		Drawn		Checked	
02	--	S.Ghadiri		A.Solohshour		01/03/11	
01	--	S.Ghadiri		A.Solohshour		01/02/24	
00	--	S.Ghadiri		A.Solohshour		01/13/24	
Description		Date		Approved		Checked	

*Handwritten signature in blue ink.*

List of Bolts - LADDER		Specification		Qty	
RBM10x50		M12*45		6	
RBM10x50		M12*45		6	



SECTION A-A



Project No.:		Sheet No. 10	
Tower Type: TOWER NB		Mat. No. 00	
Title I		Scale: 1/11	
Project: AFGHAN TELECOM		NB TOWER 30M LADDER	
Client I		Tower NB	
Rev.	Design	Drawn	Checked
00	--	S. Shodifi	A. Soghohour
01	--	--	10/13/24
02	--	--	--
Description		Date	
--		--	
--		--	
--		--	

Specification	Qty	Material
M10x40	134	GR8.8
J10x90	60	GR5.6
List Of Bolts - LADDER		



Safety Hoop And Rack Feeder

