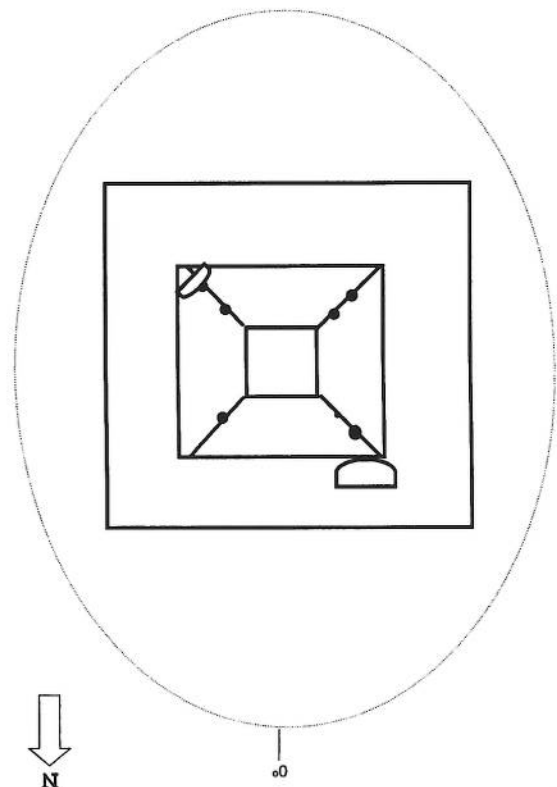
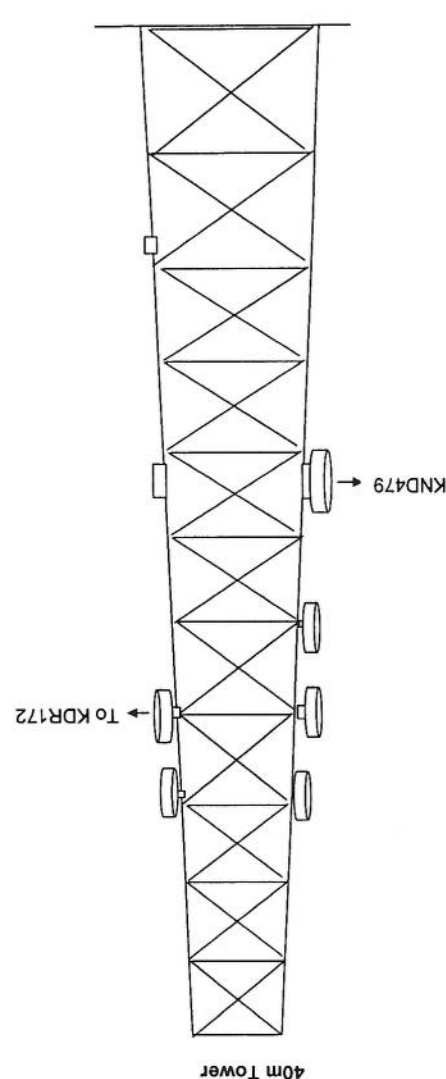


SITE	KDR151	CAND	1	TYPE	40m Self-Support Tower
NAME	مركز الاتصالات في ولاية				
ADDRESS	الولاية في ولاية				
GPS COORDINATE		Lat	31.007256	Long	66.394781
DATE					
DISTANT SITE NAME	TX	RX	VLAN	ANTENNA SIZE	BEARING
KDR171					
KDR020					
KDR456					
KDR062					
KDR085					
KDR336					
KDR475					

HORIZONTAL VIEW PLAN 1



VERTICAL VIEW PLAN 1



Handwritten signature in blue ink.

Handwritten signature

REVISION RECORDS

REVISION NO	DATE	DESCRIPTION

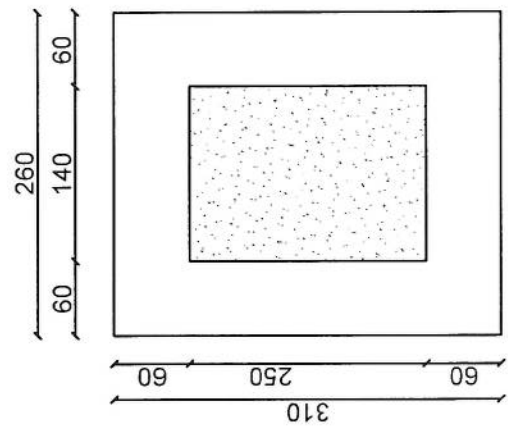
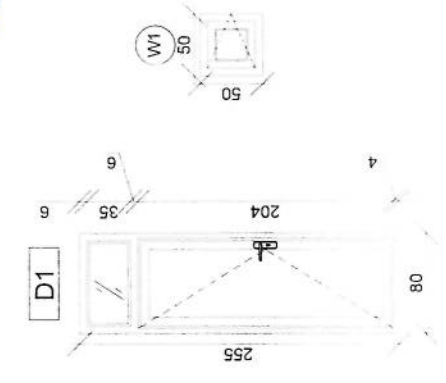
LEGEND:

	CONCRETE
	BRICK
	PLASTER
	FLOOR FINISH
	WALL FINISH
	CEILING FINISH

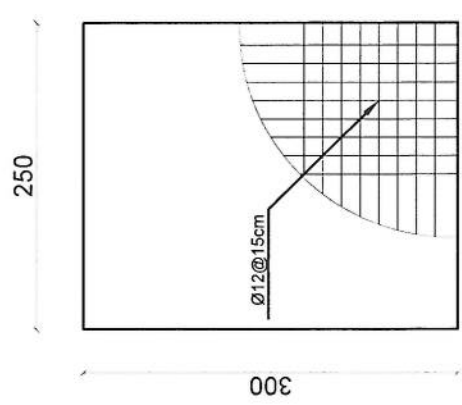
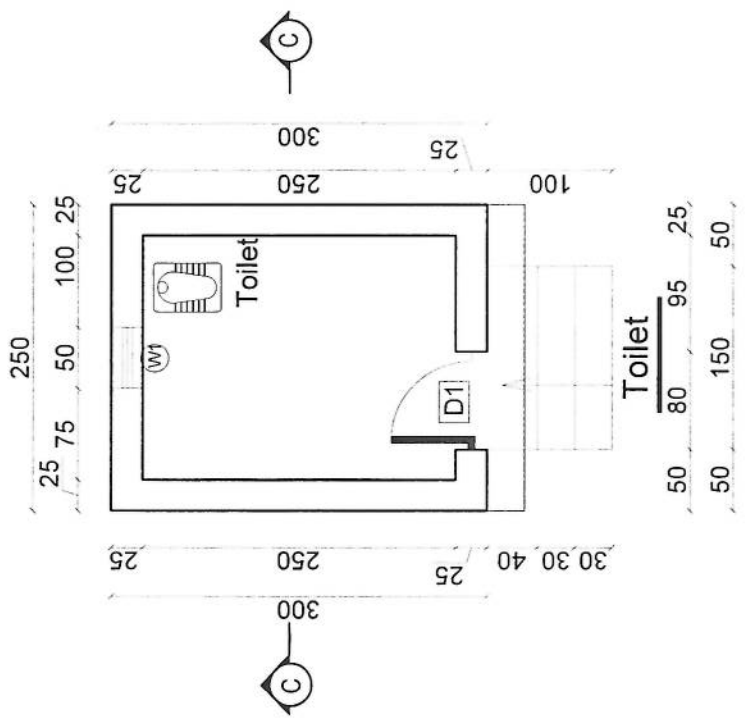
PROJECT TITLE / NO
REPEATER SITE
DRAWING TITLE:
GENERATOR ROOM

DRAWN BY:
CIVIL TEAM
CHECKED BY:
APPROVED BY:

SCALE: 1:75
ACTUAL DATE: 13/09/2025
ISSUE DATE:
DRG. NO: 05
OWNER: AFGHAN TELECOM



Excavation plan of Toilet



Rebar details of Toilet roof
GENERATOR ROOM | **SCALE: 1:75**

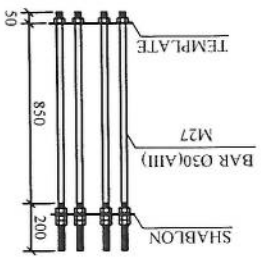
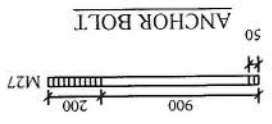
CON. VOL. = 37.7m³ TOTAL WEIGHT (kg) : 3084

POS.	BENDING DIAGRAM	#	NO. ROD.	UNIT LENGTH	TOTAL LENGTH	TOTAL WEIGHT	UNIT WEIGHT	TOTAL WEIGHT
kg	cm	m	m	m	m	kg/m	kg/m	kg
1	105	20	12*4	1.35	64.8	2.47	160	
2	1=240 550	10	6*4	2.40	57.6	0.617	36	
3	30 765	20	32*2	8.25	528	2.47	1304	
4	30 765	20	32*2	8.25	528	2.47	1304	
5	30 45 90 45 30	20	58	1.80	104.4	2.47	258	
6	10 55 10	10	48	0.75	36	0.617	22	

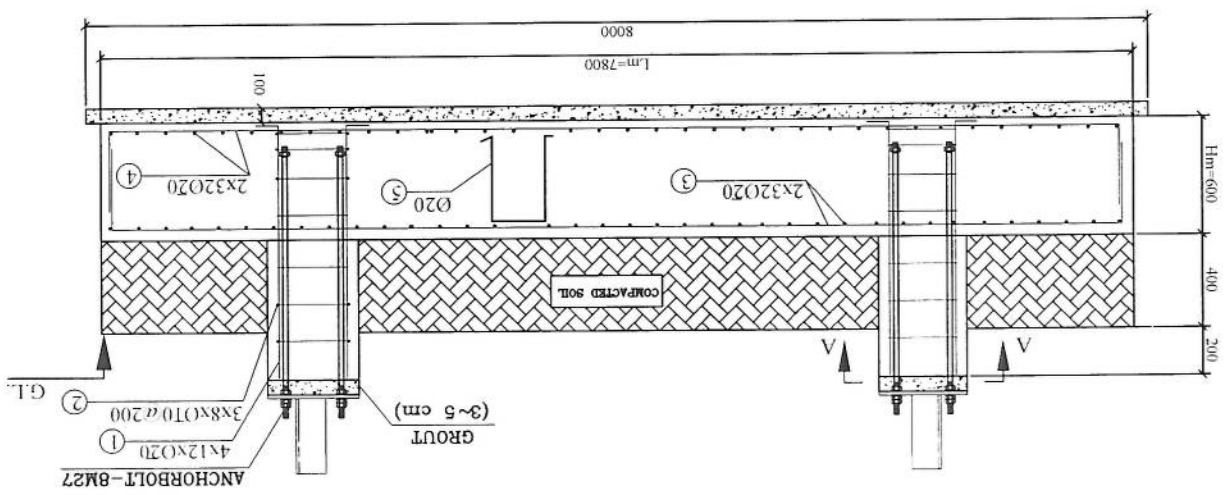
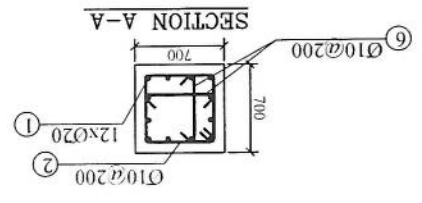
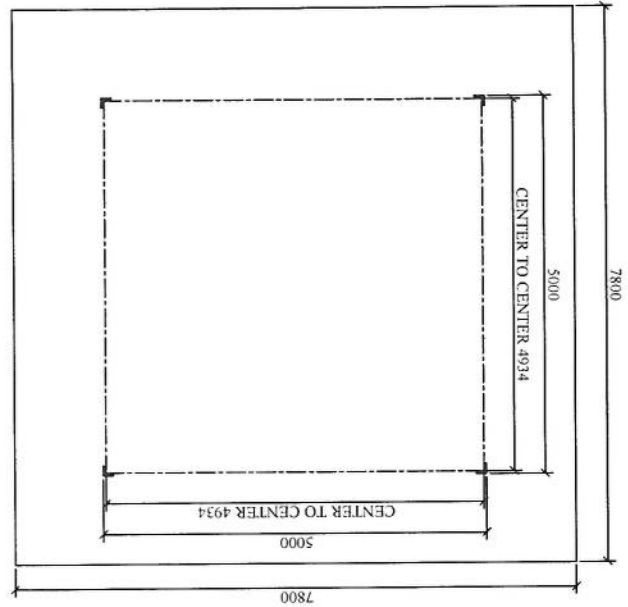
M27

SOIL CHARAC.: ALLOWABLE BEARING=1.0~2.0 KG/CM2 NORMAL
 BAR BENDING SCHEDULE (TYPE AIII - FY=4000kg/cm²)
 TYPE 7

- NOTE:
- 1- ALL DIMENSION ARE IN MM.
 - 2- F_c=210 KG/CM² AFTER 28 DAYS ON CYLINDER SPEC.
 - 3- GRADE OF BARS: AIII FOR D>12mm, AIII FOR D>12mm
 - 4- COVER ON BARS IS 75 mm.
 - 5- THICKNESS OF LEAN CONCRETE 10cm.



FOUNDATION PLAN



CLIENT: AFGHAN TELECOM

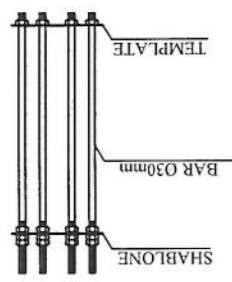
TITLE: APPROVAL DRAWING
FOR TOWER TYPE 40-160-EPA10(AK1-40m)
PANEL 4

CONTRACTOR: SULTAN MANSOOR

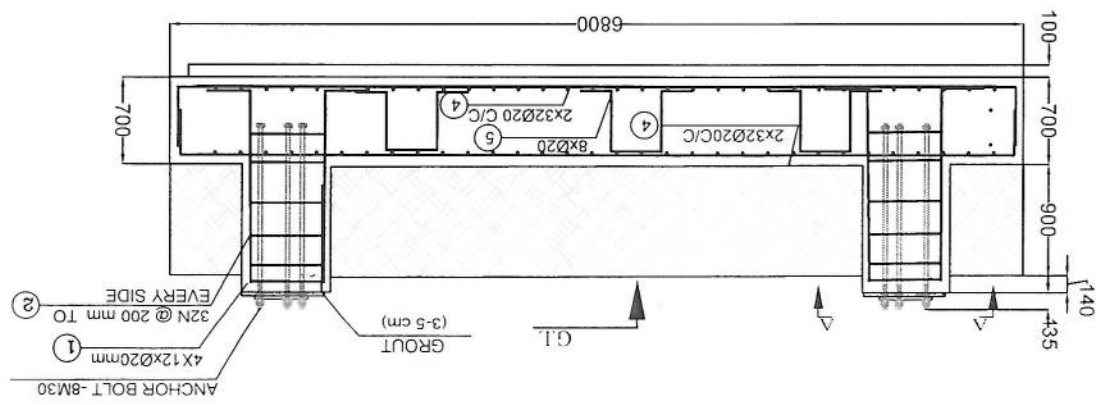
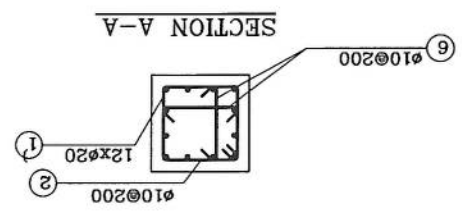
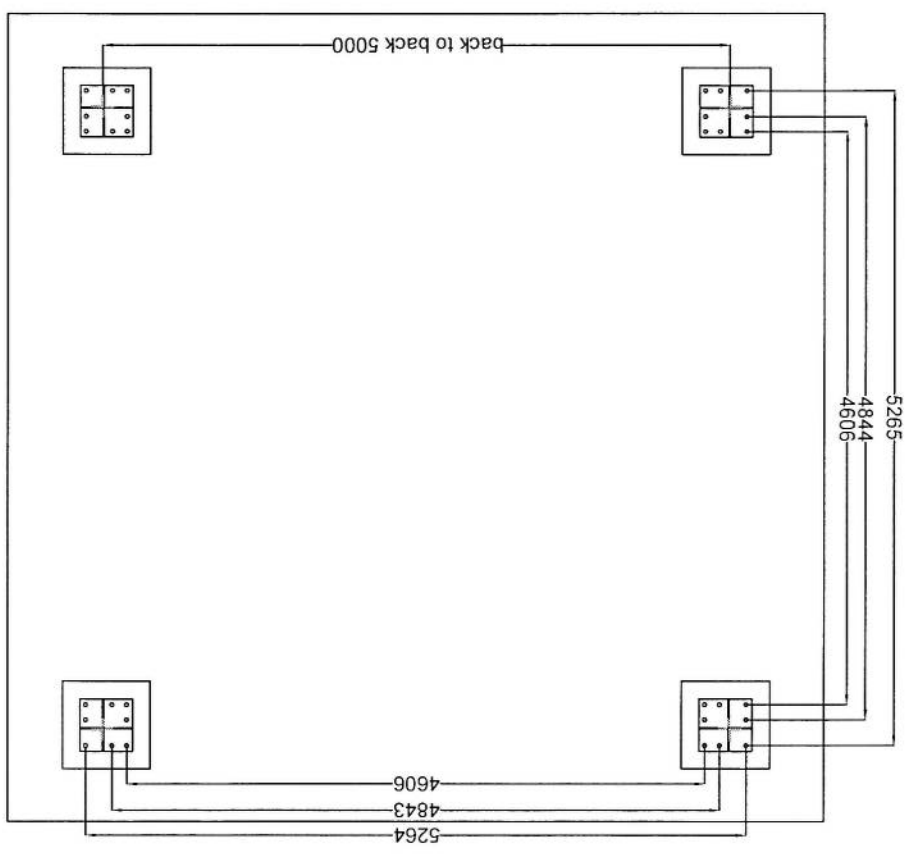
DESIGN AND MANUFACTURER: DAKATSAZAN KALAN CO.

SCALE: DAKATSAZAN DWG NO. / REV. / TOTAL

FORMAT: A1 DESIGN STAGE: DETAIL DESIGN



SECTION OF BASE PLATE



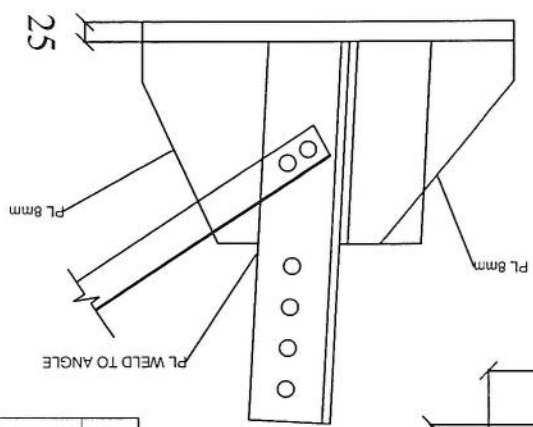
POS	BENDING DIAGRAM	Ø	NO	UNIT	LENGHT	UNIT	WEIGHT	UNIT	WEIGHT	UNIT
		mm			m	kg/m	kg		kg	
1		30	20	12.4	1.89	90.72	2.47	225	2.47	225
2		L=240 550	10	6.4	2.4	57.6	0.617	36	0.617	36
3		50	20	32.2	7.64	488.96	2.47	1207.7	2.47	1207.7
4		50	20	32.2	7.64	488.96	2.47	1207.7	2.47	1207.7
5		30	60	2.06	123.6	2.47	305.3		2.47	305.3
6		10	60	0.7	45	0.617	28		0.617	28
TOTAL WEIGHT (kg) : 3009										
CON. VOL. = 34.4 m ³										

SOIL CHARAC: ALLOWABLE BEARING = 1.0-2.0 KG/CM2 NORMAL
TYPE: 7

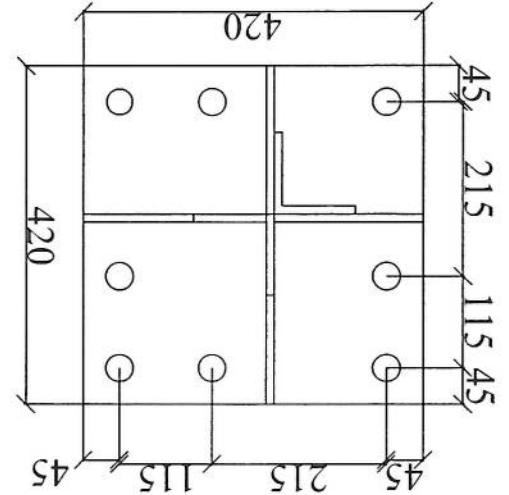
- NOTE:
- 1- ALL DIMENSION ARE IN MM.
 - 2- F_c=210 Kg/CM² AFTER 28 DAYS ON CYLINDER SPEC.
 - 3- GRADE OF BARS: ALL FOR D<12mm ALL FOR D>12mm
 - 4- COVER ON BARS IS 75 mm.
 - 5- THICKNESS OF LEAN CONCRETE 10cm

Handwritten signature

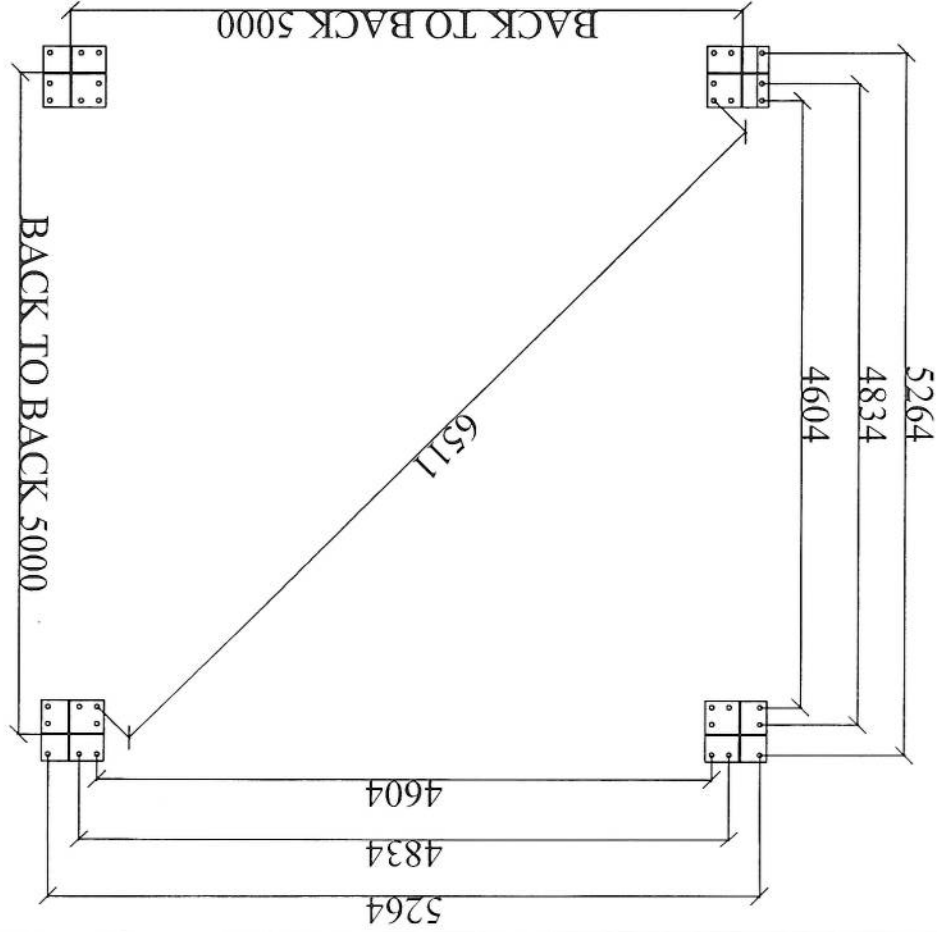
BASE PLATE SIDE VIEW



BASE PLATE



SECTION OF BASE PLATE



REV:	0	1	OF:	20
SCALE:	DAKASAZAN DWG NO: []			
DESIGN AND MANUFACTURER:	DAKASAZAN KALAN CO.			
CONTRACTOR:	SULTAN MYSOOM			
TITLE:	FOR TOWER TYPE 40-160-EPA10(AK1-40m) PANEL 4			
CLIENT:	AFGHAN TELECOM			
REV:	2	DESCRIPTION:	FIRST ISSUE	
DATE:	01/05/06	APP:	AGH	WRT:
CHECK:	AGH	DRWN:	AGH	DATE:

Block	Mark	Description	Length	WEIGHT	Qty	Total Weight
BASE	BS	PL 420X420X25	1	35.5586	4	142.6344
BASE	STF	PL250*189*8	1	3.0591	2	6.1182
BASE	STF	PL250*130*8	1	2.1012	2	4.2024
BASE	ANGLE	L100X10	0.5	7.6838	4	30.7352
BASE	ANGLE	L100X10	0.25	3.8419	4	15.3676
BASE	ANCHOR BQ	Φ 30	1.1	6.28815	32	201.2208
BASE	TEMPPLATE	PL40X40X5	1	6.4684	4	25.8736
BASE	NUT30		1	0.309	128	39.552
BASE	Cable Tray	GI SHEET 1.8 mm	1	58.71	1	58.71
Total weight						524.41KG

TOWER TYPE "AK1"

LATTICE Tower:40m

Loading-EPA=10 -Wind speed 160km/h

A B C D E F G



Omid Pishgam
Engineering Co.

[Handwritten signature]

LATTICE Tower:40m
 Loading-EPA=10 -Wind speed 160km/h
 APPROVAL DRAWING
 TOWER TYPE "AK1"

TOTAL WEIGHT IN 40 M G.F TOWER	
BLOCK NO.	BLOCK HEIGHT (M)
BLOCK 1	6
BLOCK 2	4
BLOCK 3	6
BLOCK 4	6
BLOCK 5	6
BLOCK 6	6
BLOCK 7	6
LADDER	740.09 Kg
SUPPORTER	161.29 Kg
BASE	524.41 Kg
TOTAL	
8006.20 Kg	



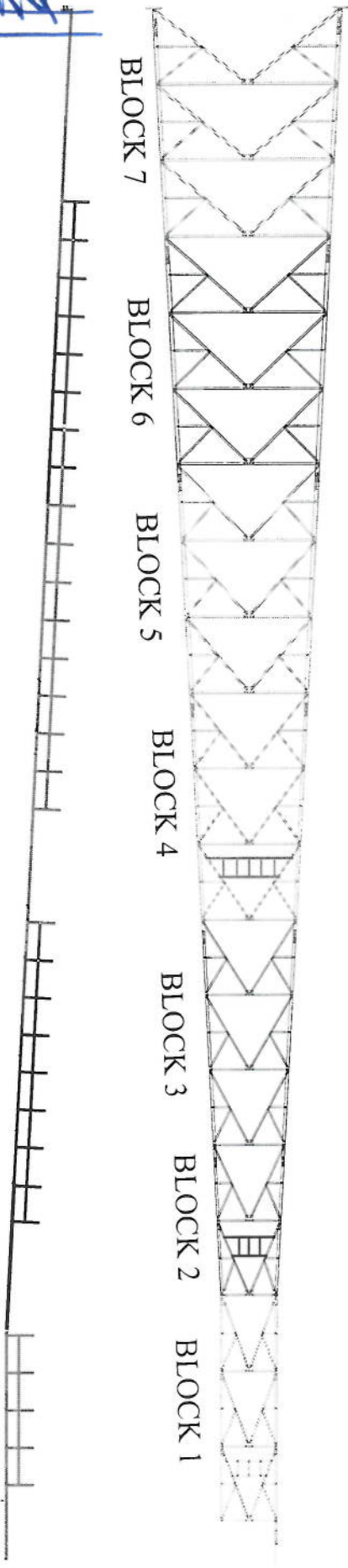
(Handwritten signature)

A
B
C
D
E
F
G

G T F D C B A

RED	WHITE	RED	WHITE	RED
-----	-------	-----	-------	-----

40M TOWER VIEW



REV	DESCRIPTION	DATE
7	FIRST ISSUE	
	ACOM	W.F.
	W.F.	DATE
	APPV	
	CHK	
	DRW	
	DESIGN	
	DATE	

CLIENT: AFGHAN TELECOM

TITLE: APPROVAL DRAWING FOR TOWER TYPE 40-160-EPA10(AK1-40m) PANEL 4

CONTRACTOR: SULTAN MANSOOR

DESIGN AND MANUFACTURER: DAKASAZAN KALAN CO. SK

SCALE: 1:1

REV: 0

SH / TOTAL: 1 / 20

5

4

3

2

1

A B C D E F G

Block	Mark	Description	Length	WEIGHT	Qty	Total Weight
BL.2	ML.2	L.70X6	4.005	26.0296965	4	104.118786
BL.2	L.40X4	L.40X4	2.303	5.6692951	8	45.3543608
BL.2	L.40X4	L.40X4	1.083	2.6660211	8	21.3281688
BL.2	L.40X4	L.40X4	0.425	1.0462225	8	8.36978
BL.2	L.40X4	L.40X4	1.69	4.160273	4	16.641092
BL.2	L.40X4	L.40X4	2.32	5.711144	8	45.689152
BL.2	L.40X4	L.40X4	1.115	2.7447955	8	21.958364
BL.2	L.40X4	L.40X4	0.37	0.910829	8	7.286632
BL.2	L.50X5	L.50X5	0.96	3.688224	4	14.752896
BL.2	L.50X5	L.50X5	1.38	5.301822	4	21.207288
BL.2	L.40X4	L.40X4	0.585	1.4400945	12	17.281134
BL.2	L.50X5	L.50X5	0.877	3.3693463	3	10.1080389
BL.2	L.50X5	L.50X5	0.519	1.9939461	4	7.9757844
BL.2	L.50X5	L.50X5	0.579	2.2244601	2	4.4489202
BL.2	L.50X5	L.50X5	1.723	6.6195937	1	6.6195937
BL.2	L.202	L.50X5	1.723	6.6195937	3	19.8587811
BL.2	Washer	PL100X40X8	1	0.2575	10	2.575
BL.2	Botl Set	M16-60	1	0.16274	32	5.20768
BL.2	Botl Set	M12-40	1	0.06798	304	20.6592
BL.2	P.21	PL240*160*10	1	3.1003	4	12.4012
BL.2	P.22	PL119*110*10	1	1.6609	8	8.4872
BL.2	P.12	PL320*60*10	1	1.5533	8	12.4424
BL.2	ML.2	L.60X6	0.32	1.769952	4	7.079808
BL.2	MESH	HEVY MESH	2.5	28.325	1	28.325
BL.2	WASHER		1	0.008446	336	2.83756
Total						473.02 Kg

PROFILES GRADE LEGEND

1-L = ST37
 2-ML = ST50
 3-HT = ST52
 4-ALL JOINT PLATES ARE ST52

APPROVAL DRAWING FOR TOWER TYPE 40-160-EPA10(AK1-40m) PANEL 4

AFGHAN TELECOM

CONTRACTOR: **SHARAF MOUSUM**

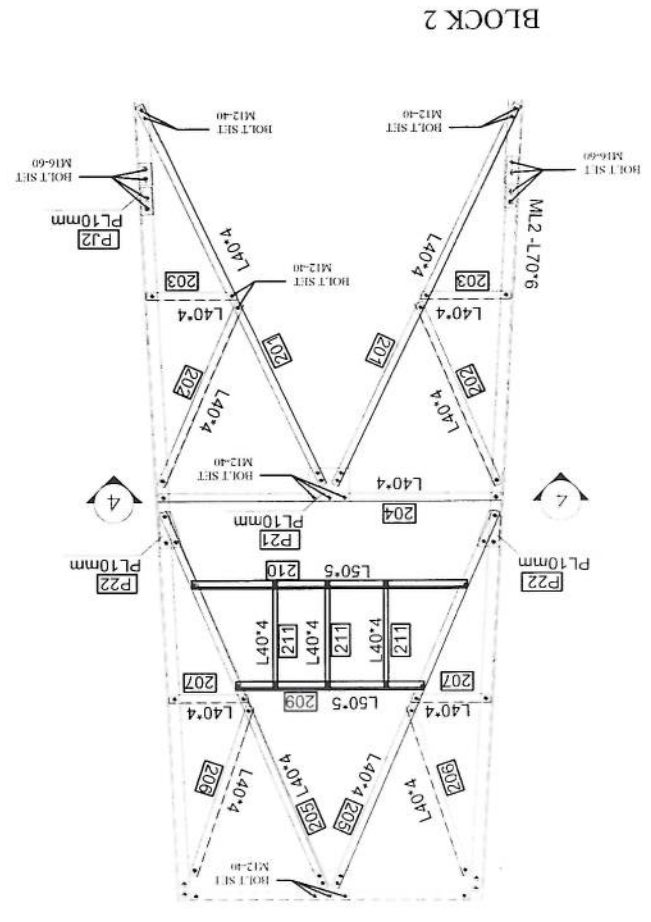
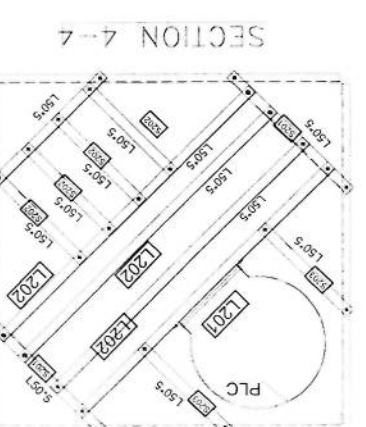
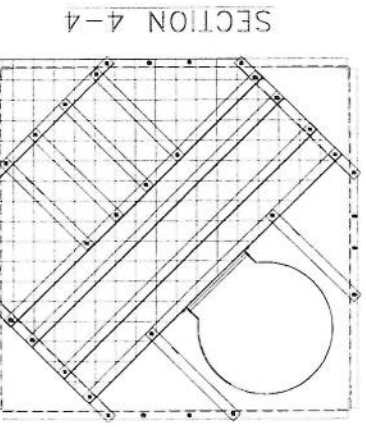
DESIGN AND MANUFACTURE: **DAKALSAZAN KALAN CO.**

SCALE: 1/20

DATE: 01/01/20

REVISIONS:

NO.	DESCRIPTION	DATE
1	ISSUE FOR DESIGN	01/01/20



NOTE:
 1-ALL BOLT SET IN BRACING ARE M12-40
 2-ALL BOLT SET IN MAIN LEGS AND JOINT ARE M16-60
 3-ALL PLATE AND JOINT PLATE ARE PLATE 10mm

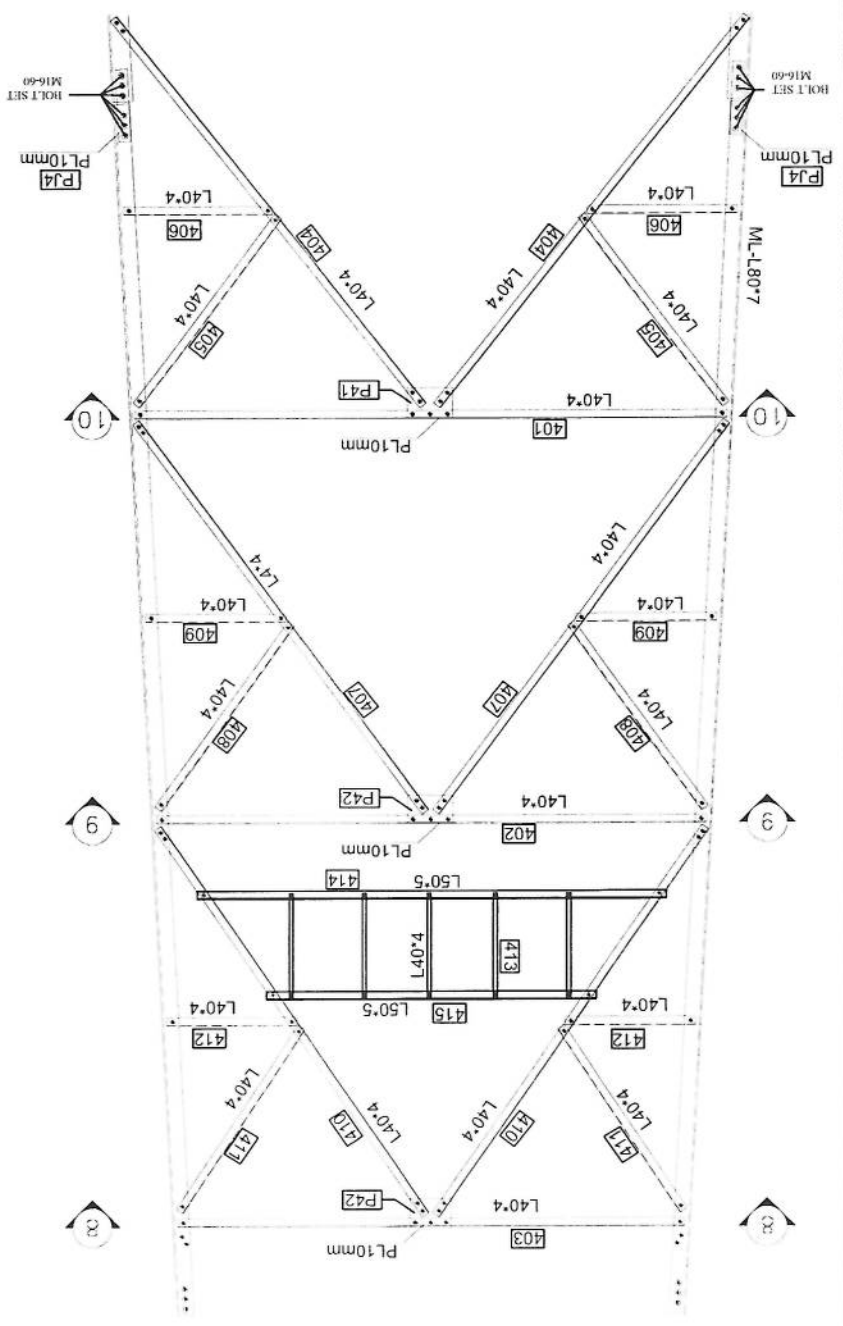
REV	DATE	BY	CHKD	DESCRIPTION
0	1 OF 20			
DAKAZAN DWD NO. 1 DESIGN STAGE: DETAIL DESIGN SCALE: 1:1 PROJECT: AFGHAN TELECOM APPROVAL DRAWING FOR TOWER TYPE 40-160-EPA10(AK1-40m) PANEL 4 CONTRACTOR: SUZUKI MYOON DESIGN AND MANUFACTURE: DAKAZAN KALAN CO.				

PROFILES GRADE LEGEND

1-L=ST37
 2-ML=ST50
 3-HT=ST52
 4-ALL JOINT PLATES ARE ST52

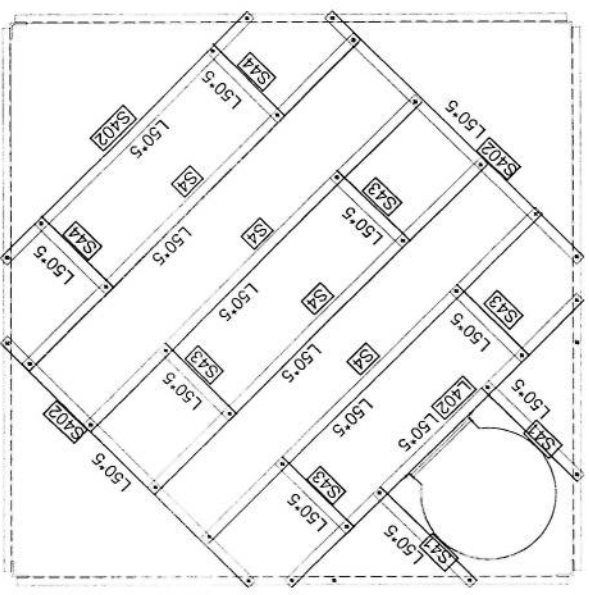
[Handwritten signature]

BLOCK 4

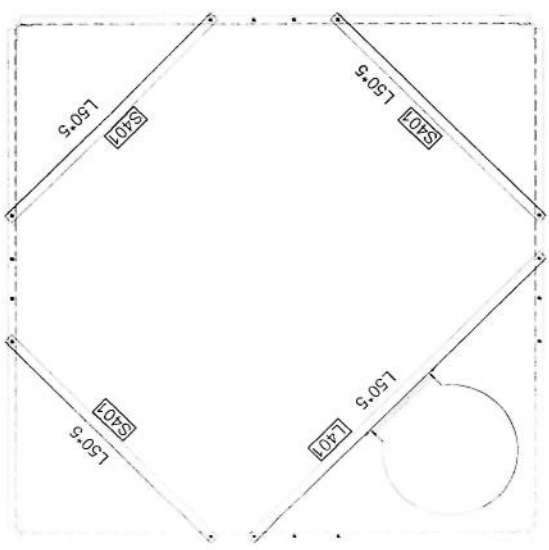


NOTE:
 1 ALL BOLT SET IN BRACING ARE M12-40
 2 ALL BOLT SET IN MAIN LEGS AND JOINT ARE M16-60
 3 ALL PLATE AND JOINT PLATE ARE PLATE 10mm

SECTION 9-9



SECTION 8-8



5

4

3

2

1

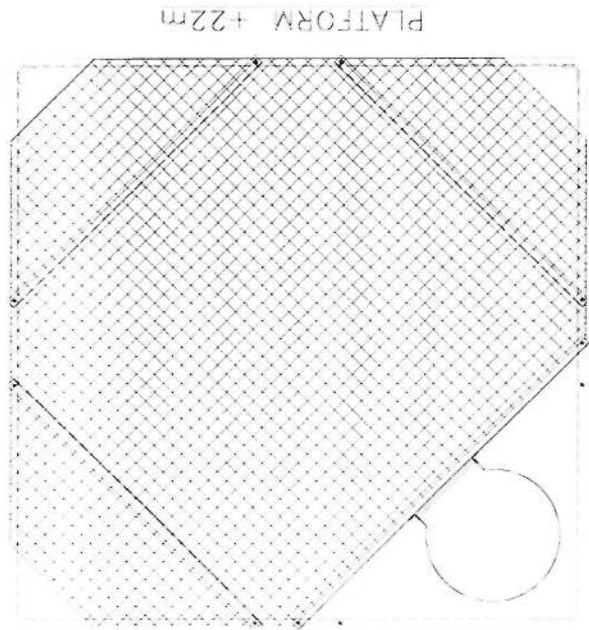
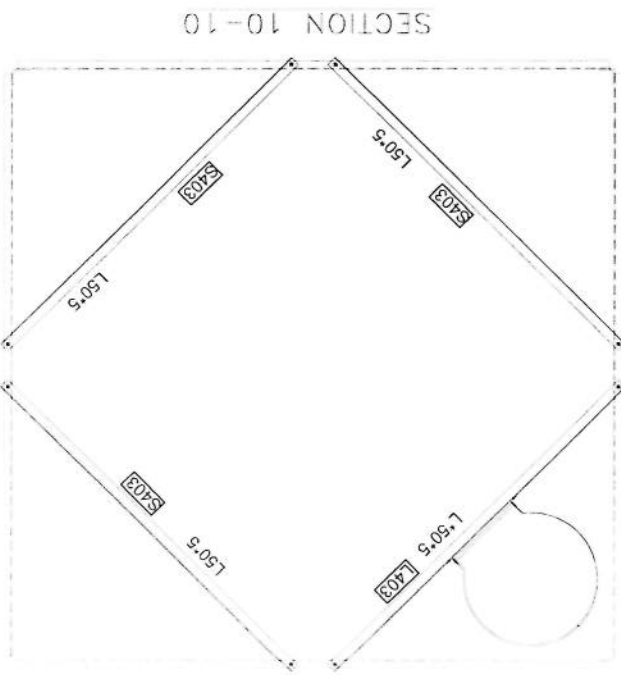
A
B
C
D
E
F
G

A B C D E F G

Block	Mark	Description	Length	WEIGHT	Qty	Total Weight
BL4	ML4	L80X7	6.005	52.07115	4	208.08446
BL4	L404	L40X4	2.955	7.274325	4	29.097294
BL4	L404	L40X4	2.75	6.769675	4	27.0787
BL4	L404	L40X4	2.534	6.2379478	4	24.9517912
BL4	L404	L40X4	2.444	6.0163948	8	48.131584
BL4	L404	L40X4	1.185	2.917145	8	23.336916
BL4	L404	L40X4	0.71	1.747807	8	13.982456
BL4	L404	L40X4	2.38	5.858846	8	46.870768
BL4	L404	L40X4	1.158	2.8506486	8	22.8051888
BL4	L404	L40X4	0.664	1.6345688	8	13.0765504
BL4	L404	L40X4	2.321	5.7136057	8	45.7088456
BL4	L404	L40X4	1.132	2.7866444	8	22.2931552
BL4	L404	L40X4	0.617	1.5188689	8	12.1509512
BL4	L404	L40X4	0.545	1.3416265	20	26.83253
BL4	L404	L40X4	2.293	8.8094767	4	35.2379068
BL4	L404	L40X4	1.59	6.108621	4	24.434484
BL4	L404	L40X4	1.995	7.6645905	1	7.6645905
BL4	L404	L40X4	1.519	5.8358461	3	17.5075383
BL4	L404	L40X4	1.7	6.53123	3	19.59369
BL4	L404	L40X4	1.986	7.6300134	3	22.890402
BL4	L404	L40X4	1.986	7.6300134	1	7.6300134
BL4	L404	L40X4	1.986	7.6300134	1	7.6300134
BL4	L404	L40X4	1.387	5.3287153	4	21.3148612
BL4	L404	L40X4	0.61	2.348559	2	4.687118
BL4	L404	L40X4	0.62	2.381978	2	4.763956
BL4	L404	L40X4	0.467	1.7941673	4	7.1766692
BL4	L404	L40X4	1	4.8513	4	19.4052
BL4	L404	L40X4	1	4.8513	4	19.4052
BL4	L404	L40X4	2.729706	11.791673	4	47.146892
BL4	PL420*80*10	PL420*80*10	1	2.7192	8	21.7536
BL4	M12-60	M12-60	1	0.16274	64	10.41536
BL4	M12-40	M12-40	1	0.06798	372	25.28856
BL4	Washer	PL100X40X8	1	0.2575	20	5.15
BL4	MESH	HEVY MESH	5.1	57.783	1	57.783
BL4	WASHER		1	0.008446	436	3.682456
						938.12 kg

DESIGN AND MANUFACTURE
SULTAN MANSOOR
 APPROVAL DRAWING
 FOR TOWER TYPE 40-160-FPA10(AK1-40M)
 PANNEL 4
 AFGHAN TELECOM
 DAKA SAZAN 5MO NO. 1076
 01/20

Handwritten signature in blue ink



0 : Of: 20

REV: SH / TOTAL

SCALE: DRAWING AT DESIGN STAGE: DETAIL DESIGN

DAKASAZAN DMS NO.

DAKASAZAN KALAN CO.

DESIGN AND MANUFACTURE

CONTRACTOR: **SUTUN MYSOOM**

FOR TOWER TYPE 40-160-CPA10(AK1-40m) PANEL 4

APPROVAL DRAWING

AFGHAN TELECOM

CLIENT:

DATE: / /

BY: / /

CHECK: / /

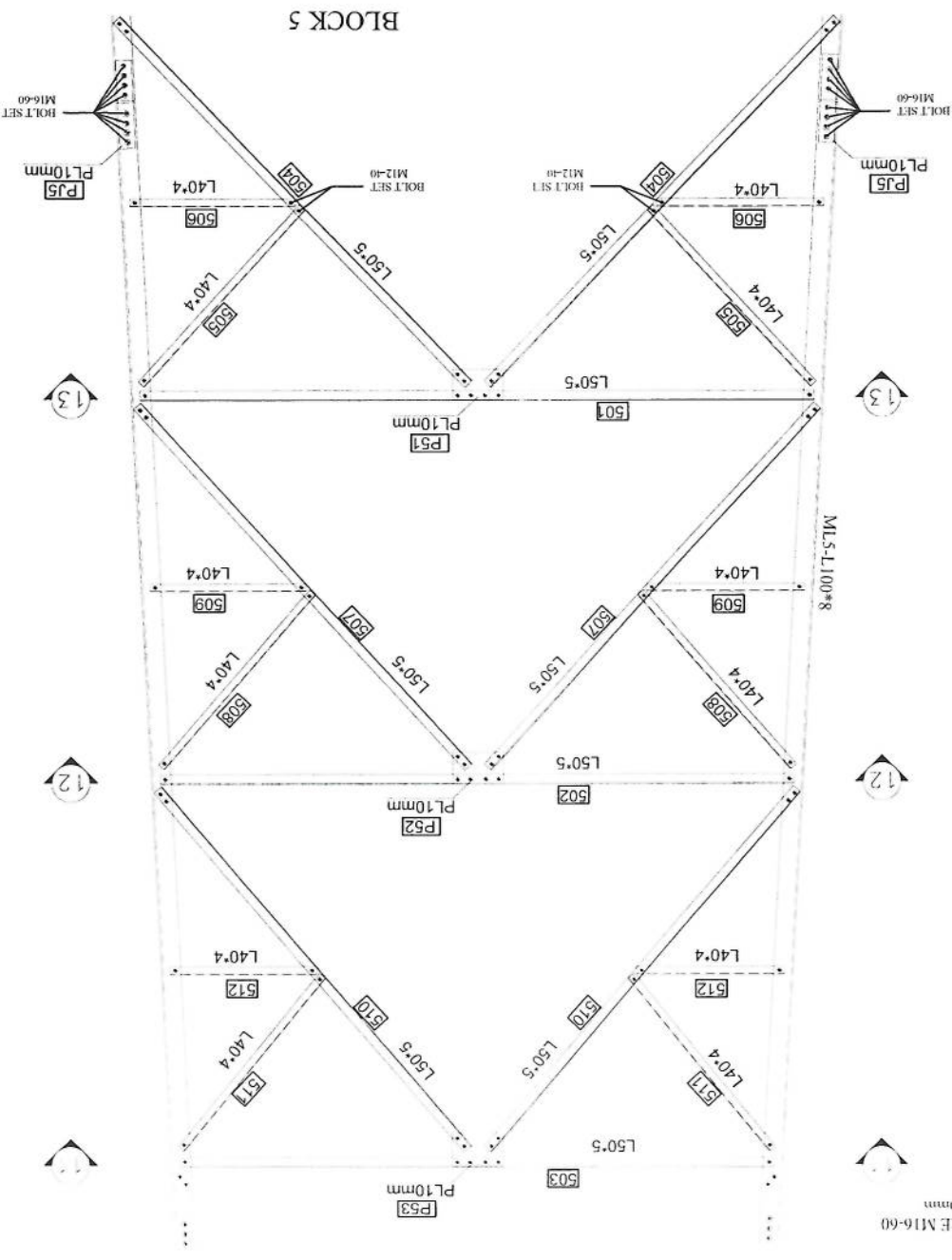
DESIGN: / /

DATE: / /

[Handwritten signature]

Block	Mark	Description	Length	WEIGHT	Qty	Total Weight
B15	M15	L100X8	6.005	74.592909	4	298.371636
B15	S01	L50X5	3.588	13.7847372	4	55.1389488
B15	S02	L50X5	3.382	12.9933058	4	51.9732232
B15	S03	L50X5	3.177	12.2057163	4	48.8228652
B15	S04	L50X5	2.648	10.1733512	4	41.386896
B15	S05	L40X4	1.24	3.052508	8	24.420064
B15	S06	L40X4	0.818	2.0136706	8	16.1093648
B15	S07	L50X5	2.577	9.9005763	8	79.2046104
B15	S08	L40X4	1.208	2.9737336	8	23.7898688
B15	S09	L40X4	0.771	1.8979707	8	15.1837656
B15	S10	L50X5	2.514	9.6585366	8	77.2682928
B15	S11	L40X4	1.177	2.8974209	8	23.1793672
B15	S12	L40X4	0.724	1.7822708	8	14.2581664
B15	L503	L60X5	1.98	9.197694	3	27.593082
B15	S503	L60X5	1.98	9.197694	9	82.779246
B15	P51	PL260*180*10	1	3.7801	4	15.1204
B15	P52	PL260*180*10	1	3.7801	4	15.1204
B15	P53	PL260*180*10	1	3.7801	4	15.1204
B15	M16-60	M16-60	1	0.16274	64	10.41536
B15	Bolt Set	M12-40	1	0.06798	288	19.57824
B15	M15	L80X7	0.42	3.638166	4	14.552664
B15	P15	PL420*90*10	1	3.0591	8	24.4728
B15	Washer		1	0.008446	350	2.9561
						1036.82 Kg

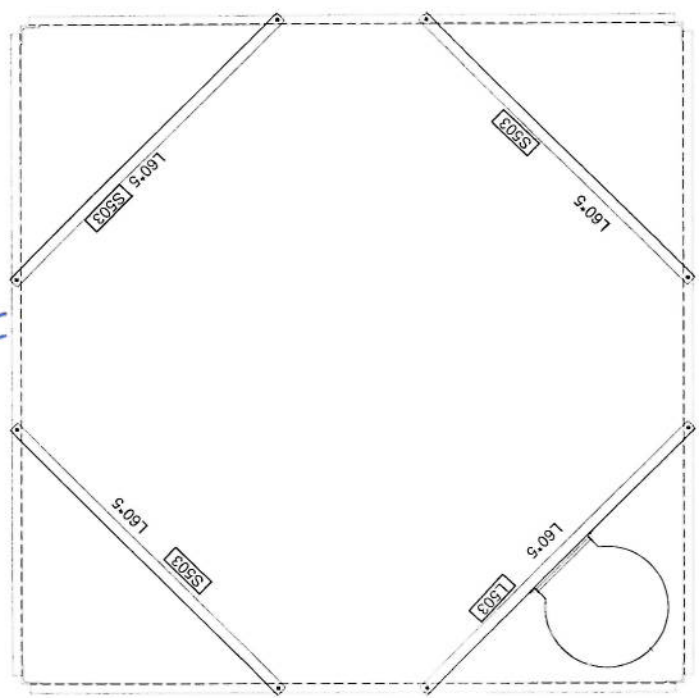
BLOCK 5



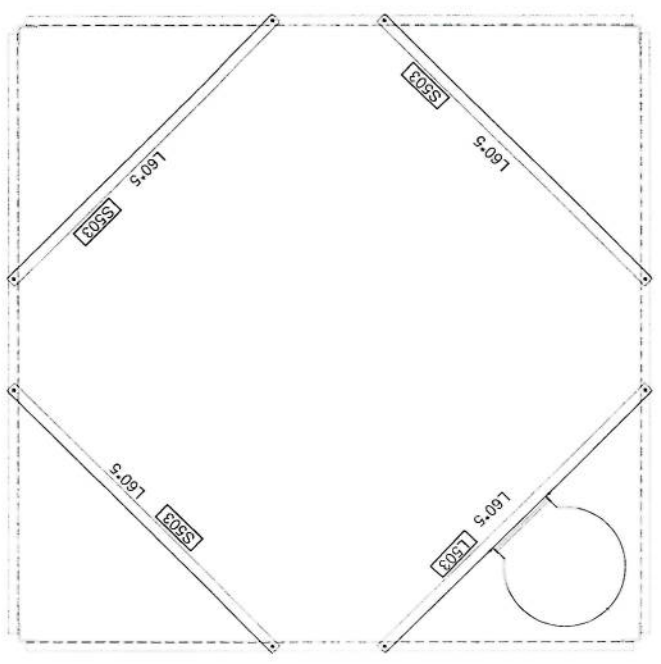
NOTE:
 1. ALL BOLT SET IN BRACING ARE M12-40
 2. ALL BOLT SET IN MAIN LEGS AND JOINT ARE M16-60
 3. ALL PLATE AND JOINT PLATE ARE PLATE 10mm

A B C D E F G

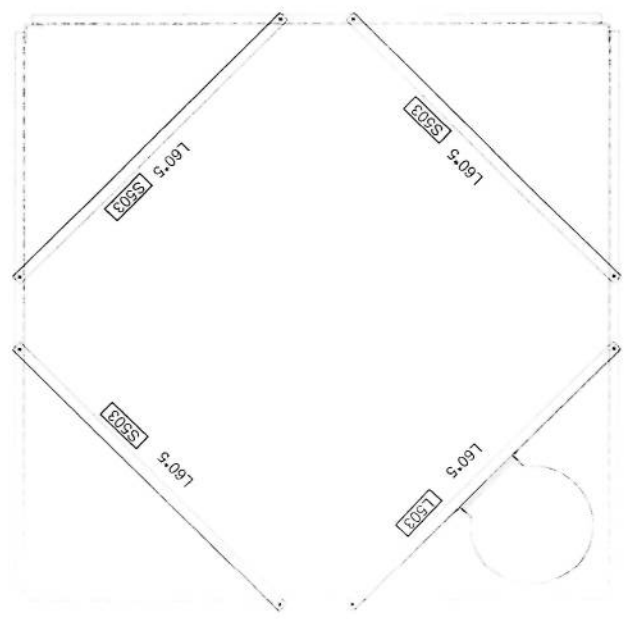
SECTION 13-13



SECTION 12-12



SECTION 11-11



[Handwritten signature]

DATE	APPROVAL DRAWING	AFGHAN TELECOM
TITLE	FOR TOWER TYPE 40-160-EA10(AKI-40m)	
CONTRACTOR	SULTAN MANSOUR	
DESIGN AND MANUFACTURE	DARSAZAN KALAN CO.	
SCALE	FORM A	
REVISION	NO. / DATE	
NO.	1 OF 25	

1 2 3 4 5

0	1 of 20
REV	SM / 197A
SCALE	DETAIL DESIGN
PROJECT	DAKSAZAN DMC NO.
DESIGN AND MANUFACTURE	DAKSAZAN KALAN CO.
CONTRACTOR	SULTAN MANSOOR
TITLE	FOR TOWER TYPE 40-160-EPA10(AK1-40m) PANEL 4
CLIENT	AFGHAN TELECOM
DATE	2
DESIGN	APPROVAL
REVISION	DESCRIPTION
DATE	BY
APP	CHK
DESIGN	DATE
DATE	BY



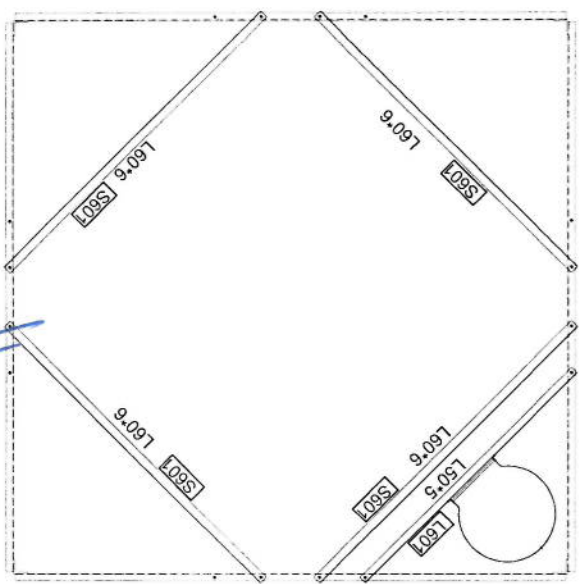
SULTAN MANSOOR

FOR TOWER TYPE 40-160-EPA10(AK1-40m) PANEL 4

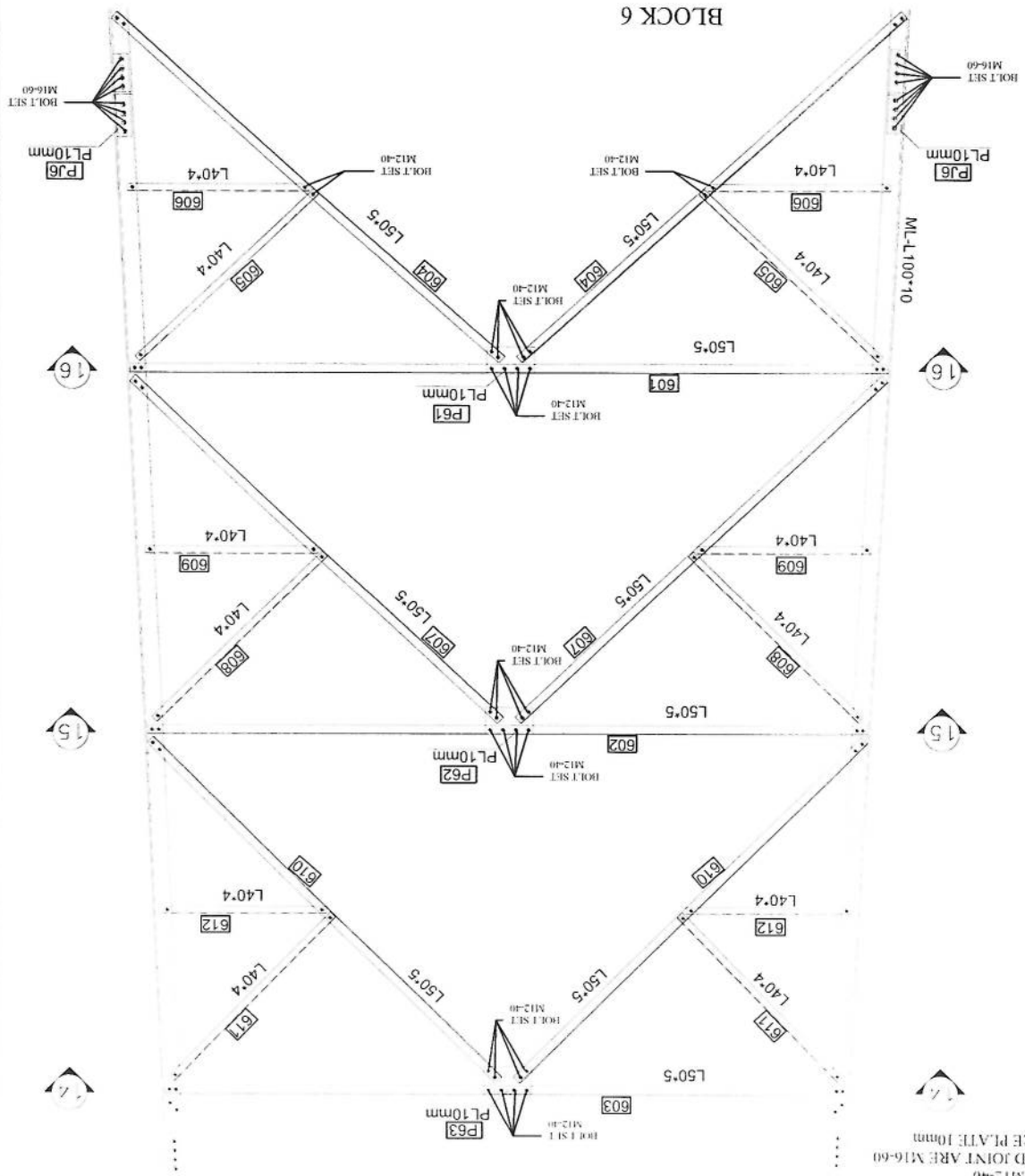
AFGHAN TELECOM

Handwritten signature in blue ink

SECTION 14-14



BLOCK 6



NOTE:
 1. ALL BOLT SET IN BRACING ARE M12-40
 2. ALL BOLT SET IN MAIN LEGS AND JOINT ARE M16-60
 3. ALL PLATE AND JOINT PLATE ARE PLATE 10mm

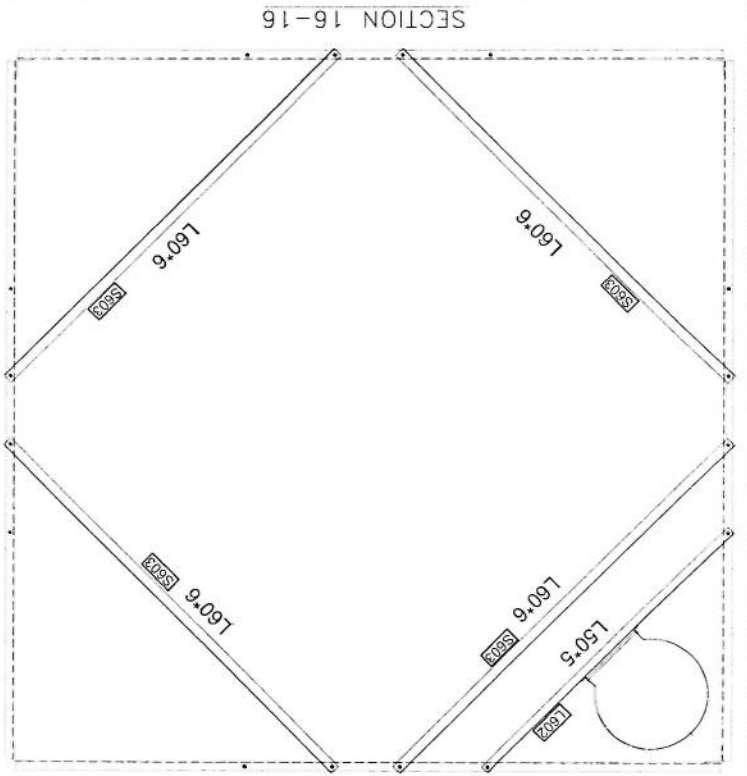
5 4 3 2 1

G
F
E
D
C
B
A

A B C D E F G

NOTE
 1 ALL BOLTS IN BRACING ARE M12-40
 2 ALL BOLTS IN MAIN LEGS AND JOINT ARE M16-60
 3 ALL PLATE AND JOINT PLATE ARE PL A16 10mm

Block	Mark	Description	Length	WEIGHT	Qty	Total Weight
BL6	M16	L100X10	6.005	92.282438	4	369.129752
BL6	601	L50X5	4.205	16.1551895	4	64.620758
BL6	602	L50X5	3.999	15.3637581	4	61.4550324
BL6	603	L50X5	3.793	14.5723267	4	58.2893068
BL6	604	L50X5	2.856	10.9724664	8	87.7797312
BL6	605	L40X4	1.342	3.3036014	8	26.4288112
BL6	606	L40X4	0.954	2.3484618	8	18.7876944
BL6	607	L50X5	2.781	10.6843239	8	85.4745912
BL6	608	L40X4	1.306	3.2149802	8	25.7198416
BL6	609	L40X4	0.906	2.2303002	8	17.8424016
BL6	610	L50X5	2.708	10.4038652	8	83.2309216
BL6	611	L40X4	1.271	3.1288207	8	25.0305656
BL6	612	L40X4	0.858	2.1121386	8	16.8971088
BL6	L601	L50X5	2	7.6838	1	7.6838
BL6	L602	L50X5	1.999	7.6799581	2	15.3599162
BL6	S601	L60X6	2.434	13.4626974	4	53.8507896
BL6	S602	L60X6	2.578	14.2591758	4	57.0367032
BL6	S603	L60X6	2.724	15.0667164	4	60.2668656
BL6	P61	P1300*200*10	4.8513	4.8513	4	19.4052
BL6	P62	P1300*200*10	4.8513	4.8513	4	19.4052
BL6	P63	P1300*200*10	4.8513	4.8513	4	19.4052
BL6	PJ6	PL420*90*10	3.0591	3.0591	8	24.4728
BL6	MU6	L80X7	0.42	3.638166	4	14.552664
BL6	Bolt Set	M16-60	1	0.16274	64	10.41536
BL6	Bolt Set	M12-40	1	0.06798	318	21.61764
BL6	Washer		1	0.008446	382	3.226372
						1267.39 Kg



Handwritten signature in blue ink.

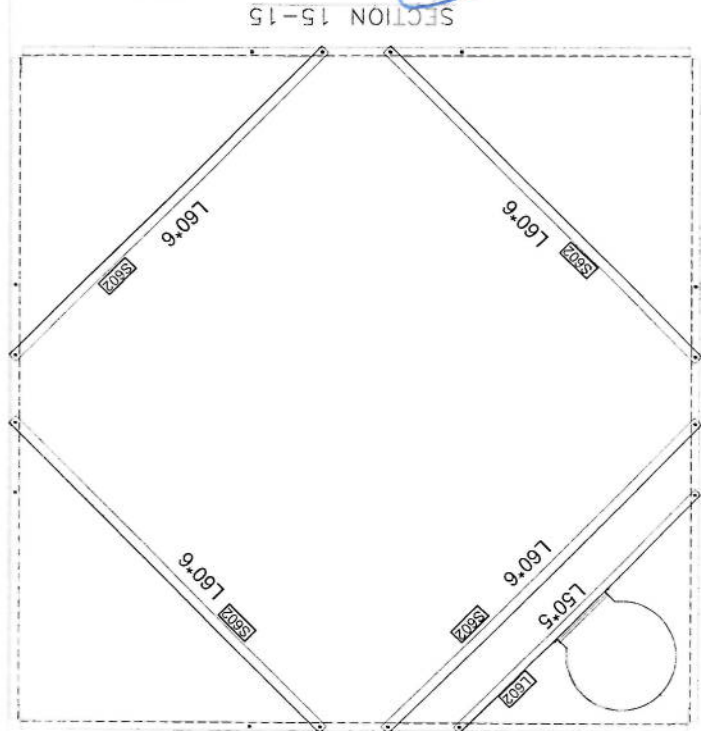
0 1 of 20

DESIGN AND MANUFACTURER
SUTINA MANSOOR
 DAMALISAN KALAN CO.

CONTRACTOR
AFGHAN TELECOM

APPROVAL DRAWING
 FOR TOWER TYPE 40-160-EPA10(AK-40m)
 PANEL 4

DESIGNER: [Signature]

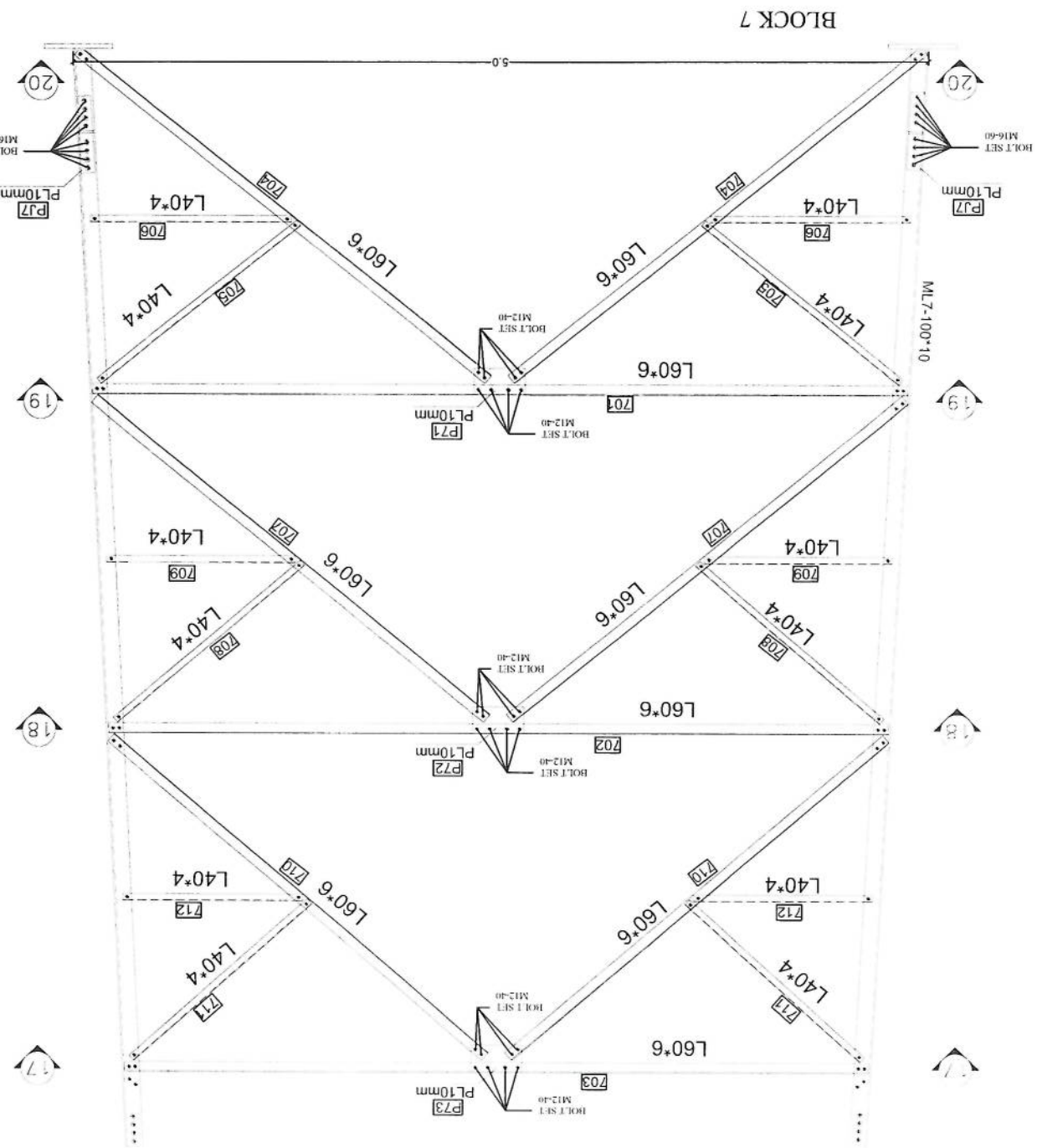


0	1	OF	20
REV	SH	7/07A	
DESIGN STAGE	DETAIL DESIGN		
SCALE	QUANTITY	UNIT	
DRAWN	SAZAN	LANG	NO
			
DES. ON AND MANUFACTURE			
CONTRACTOR			
FOR TOWER TYPE 40-160-EPA10(AK1-40m)			
PANEL 4			
APPROVAL DRAWING			
CLIENT:			
ARGHAN TELECOM			
APPROVAL			
REV	DESCRIPTION	DATE	
2	ADD. MEMBER DES.	---	
1	DESIGN	---	
	APPROV	---	
	DATE	---	

PROFILES GRADE LEGEND

1-L=ST37
 2-ML=ST50
 3-HT=ST52
 4-ALL JOINT PLATES ARE ST52

[Handwritten signature]



NOTE

1 ALL BOLT SET IN BRACING ARE M12-40

2 ALL BOLT SET IN MAIN LEGS AND JOINT ARE M16-60

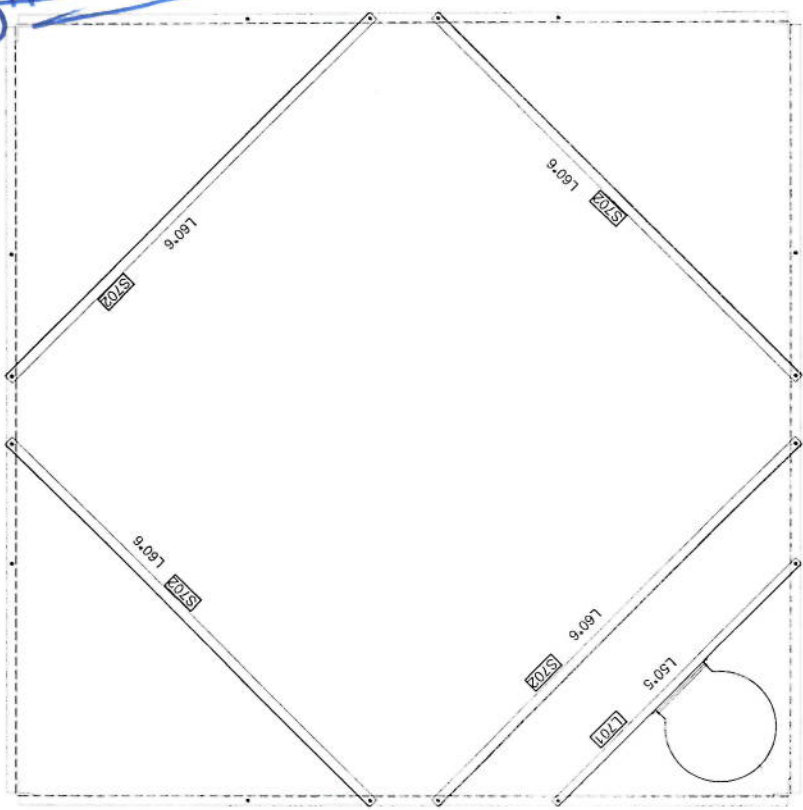
3 ALL PLATE AND JOINT PLATE ARE PLATE 10mm

G
F
E
D
C
B
A

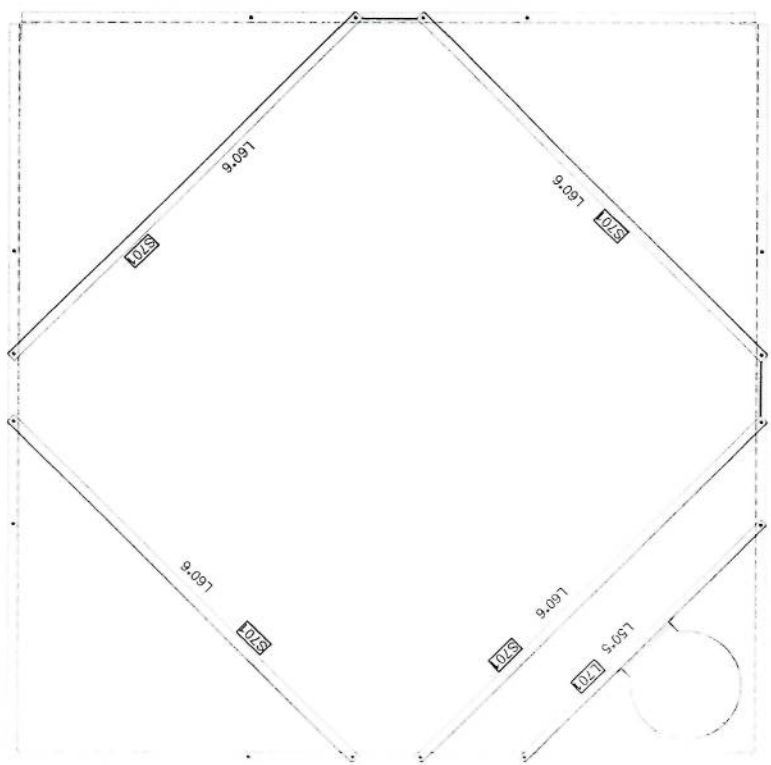
DATE: 07.20		DRAWN BY: [Signature]	
CHECKED BY: [Signature]		DESIGN NO: [Blank]	
PROJECT: DARUSAZAN KALAN PD		SHEET NO: [Blank]	
CONTRACTOR: SUJUAN MANSOOR		SCALE: [Blank]	
APPROVAL DRAWING		FOR TOWER TYPE 40-160-EPA10(AK1-40m)	
APRIL 2010		[Stamp]	
AFGHAN TELECOM		[Stamp]	
[Stamp]		[Stamp]	

[Handwritten signature]

SECTION 18-18



SECTION 17-17

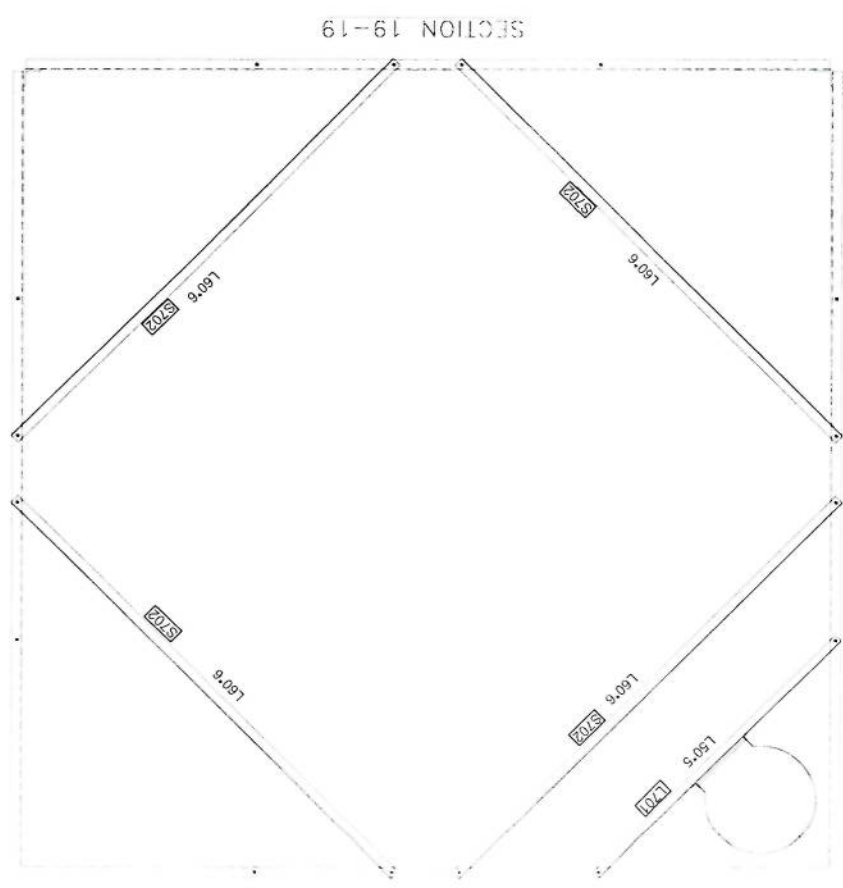


G
F
E
D
C
B
A

5
4
3
2
1

A B C D E F G

Block	Mark	Description	Length	WEIGHT	Qty	TOTAL WEIGHT
BL7	ML 7	L 100X10	5.5	84,5218	4	338,0872
BL7	701	L60X6	4,781	26,4441891	4	105,7767564
BL7	702	L60X6	4,595	25,4154045	4	101,661618
BL7	703	L60X6	4,41	24,392151	4	97,566604
BL7	704	L60X6	2,962	16,3831182	8	131,0649456
BL7	705	L 40X4	1,403	3,4537651	8	27,6301208
BL7	706	L 40X4	1,072	2,6389424	8	21,115392
BL7	707	L60X6	2,855	15,7912905	8	126,330324
BL7	708	L 40X4	1,348	3,3183716	8	26,5469728
BL7	709	L 40X4	1,028	2,5306276	8	20,2450208
BL7	710	L60X6	2,779	15,3709269	8	122,9674152
BL7	711	L 40X4	1,315	3,2371355	8	25,897084
BL7	712	L 40X4	0,985	2,4247745	8	19,398196
BL7	L701	L50X5	2	7,6838	3	23,0514
BL7	S 701	L60X6	2,876	15,9074436	4	63,6297744
BL7	S 702	L60X6	3	16,5933	8	132,7464
BL7	P 71	PL300*175*10	1	4,2436	4	16,9744
BL7	P 72	PL300*175*10	1	4,2436	4	16,9744
BL7	P 73	PL300*175*10	1	4,2436	4	16,9744
BL7	PJ 7	PL420*90*10	1	3,0591	8	24,4728
BL7	MJ7	L80X7	0,42	3,638166	4	14,552664
BL7	Bolt Set	M16-60	1	0,16274	64	10,41536
BL7	Bolt Set	M12-40	1	0,06798	318	21,61764
BL7	Washer		1	0,008446	382	3,226372
						1508,92 Kg



1
2
3
4
5

APPROVAL DEKMANIS
 ARGHAN TELECOM
 FOR TOWER TYPE 40-160-C-PALD(AK1-40m)
 PANEL 7
SUTUN MYSOOM
 DESIGN AND MANUFACTURE
 DANALZAN
 KALAN CO.
 SK
 OPEC
 1 of 26

(Handwritten signature in blue ink)

A B C D E F G

Block	Mark	Description	Length	WEIGHT	Qty	Total Weight
Ladder	PCL	PL40X4	1.875	2.433375	29	70.567875
Ladder	PL16	PL40X4	5.868	7.6154904	3	22.8464712
Ladder	PL15	PL40X4	5.996	7.7816888	3	23.3448264
Ladder	PL14	PL40X4	4.168	5.4092304	3	16.2276912
Ladder	PL13	PL40X4	5.603	7.2715734	3	21.8147202
Ladder	PL12	PL40X4	1.448	1.8292144	3	5.6376432
Ladder	PL11	PL40X4	4.05	5.25609	3	15.76827
Ladder	LL7	L50X5	5.995	23.0321905	2	46.064381
Ladder	LL6	L50X5	5.995	23.0321905	2	46.064381
Ladder	LL5	L50X5	5.995	23.0321905	2	46.064381
Ladder	LL4	L50X5	5.997	23.0398743	2	46.0797486
Ladder	LL3	L50X5	5.997	23.0398743	2	46.0797486
Ladder	LL2	L50X5	2.998	11.5180162	2	23.0360324
Ladder	LL1	L50X5	6.048	23.2358112	2	46.4716224
Ladder	R0D	PL16	0.5	0.8137	134	109.0358
Ladder	JFP	PL184*40*8	1	0.4738	9	4.2642
Ladder	JPL	PL105*40*8	1	0.2678	24	6.4272
Ladder	LZ2	L40X4	1.2	2.95404	40	118.1616
Ladder	J BOLT SET	Φ 10	0.1	0.06386	80	5.1088
Ladder	BOLT SET	M10-30	1	0.05974	150	8.961
Ladder	BOLT SET	M12-40	1	0.06798	84	5.71032
Ladder	Washer		1	0.008446	234	1.976364
						740.09 kg

SCALE: 1:50

DATE: 15/07/20

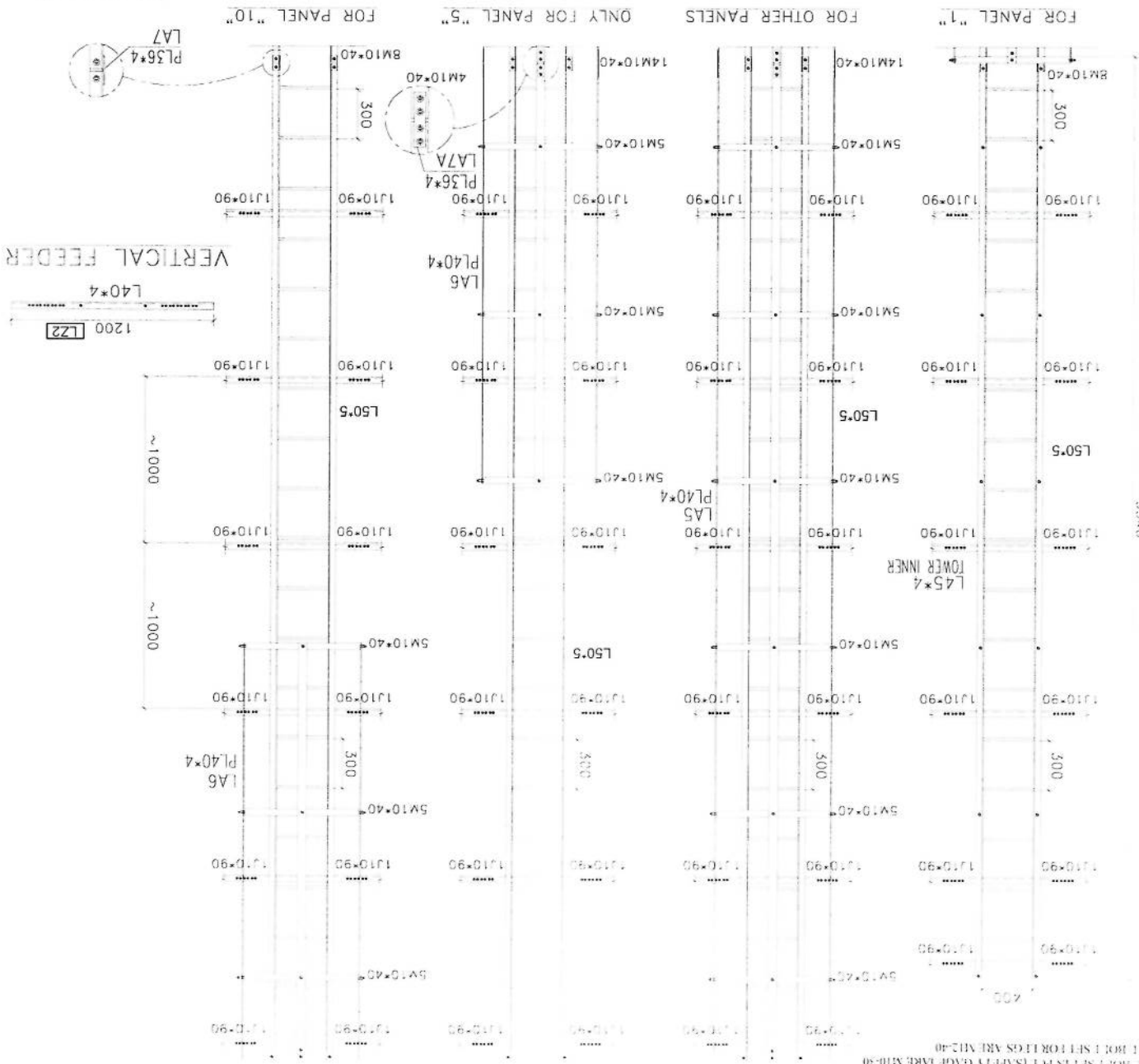
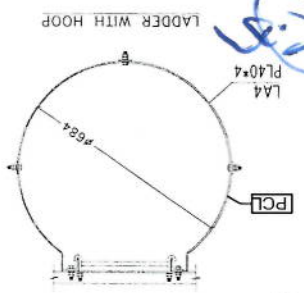
DESIGN AND MANUFACTURE: **BALAN CO.**

APPROVAL DRAWING: **AFGHAN TELECOM**

FOR TOWER TYPE 40-160-EPA10(AK1-40m) PANEL 4

APPROVAL: **SULTAN MANSOOR**

DESIGN: **SK**



NOTE: 1. ALL BOLT SET IN PCL (SAFETY GAGE MARK M10-30)
2. ALL BOLT SET FOR FLAG ARE M12-40

REV	DESCRIPTION	DATE	BY	CHECK	DATE
1					
2					
3					
4					
5					

CLIENT: AFGHAN TELECOM

TITLE: APPROVAL DRAWING FOR TOWER TYPE 40-160-EPA10(AK1-40m) PANEL 4

CONTRACTOR: SULTAN MYSOOM

DESIGN AND MANUFACTURER: DARATSAZAN BALAN CO.

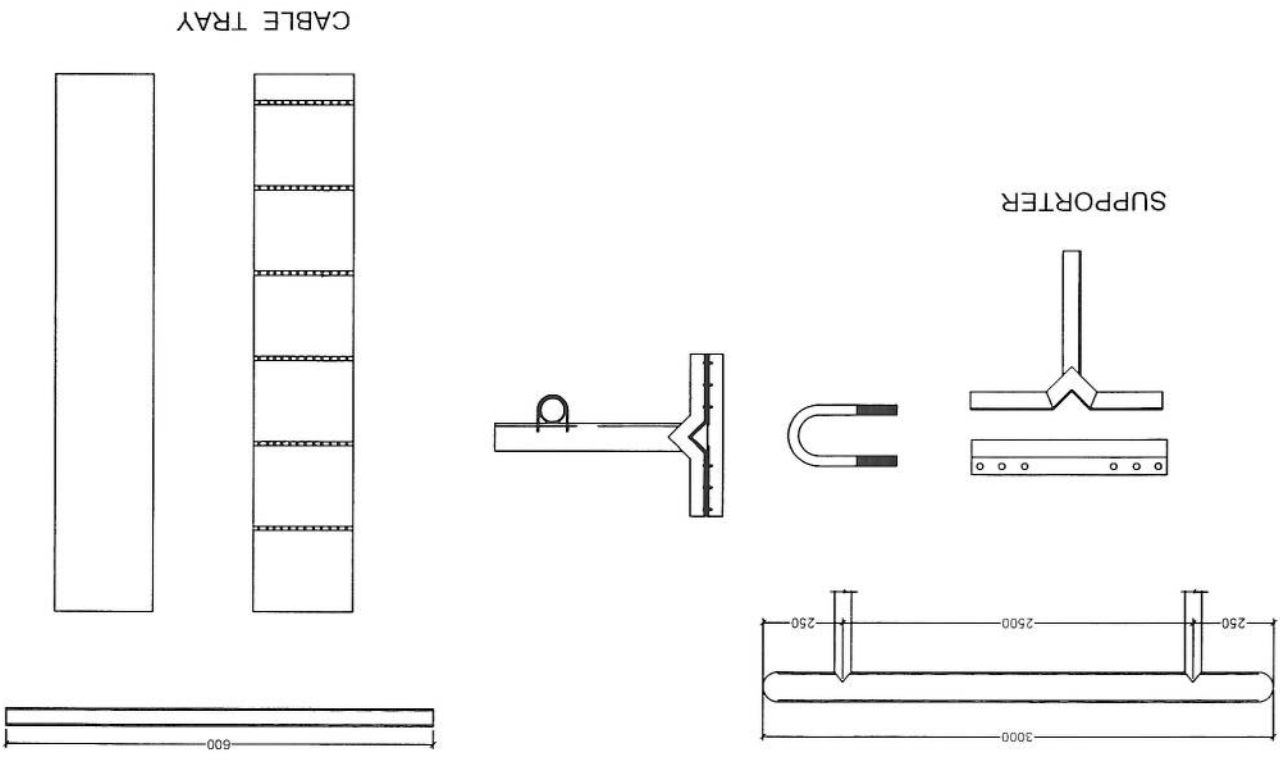
SCALE: 1:1

REV: 0

SH. / TOTAL: 1 / 20

Handwritten signature in blue ink

Sr.No	Block	Mark	Description	Length	WEIGHT	Qty	Total Weight
1	SUPPORT		(60X3)MM PIPE	3	13.0398	3	39.1194
2	SUPPORT		(60X3)MM PIPE		2.60796	2	5.21592
3	ANGLE	SL 1	L60X6		3.31866	3	9.95598
4	ANGLE	ANG	L60X6		2.488995	20	49.7799
5	ANGLE	ANG	L60X6		2.76555	5	13.82775
6	PIPE	PIPE	(27X2.6)MM PIPE		3.98816	5	19.9408
7	ANGLE	ANGLE	L60X6		2.76555	5	13.82775
8	U BOLT	U B	ROD 12	0.3	0.27501	35	9.62535
SUPPORTER							
							0
							161.29 Kg

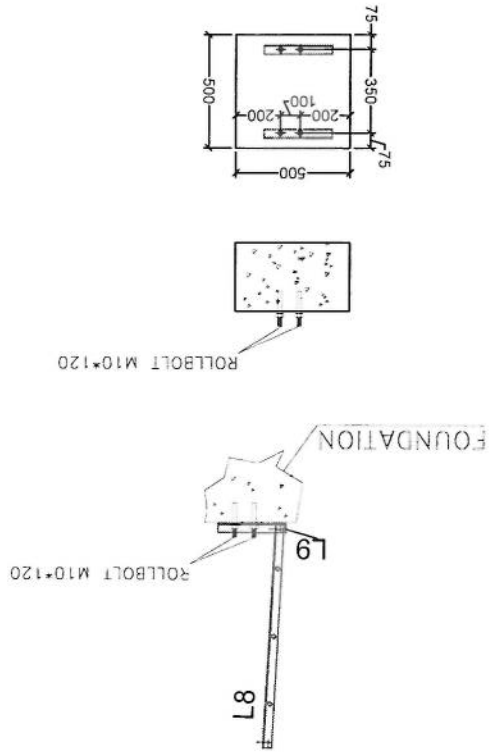
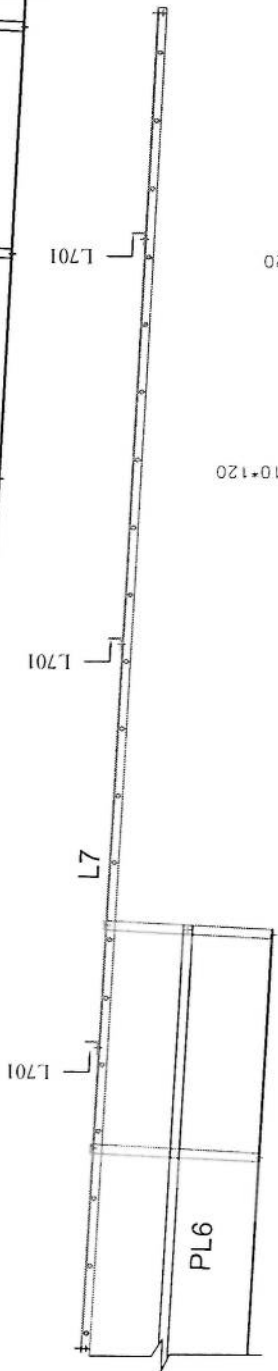
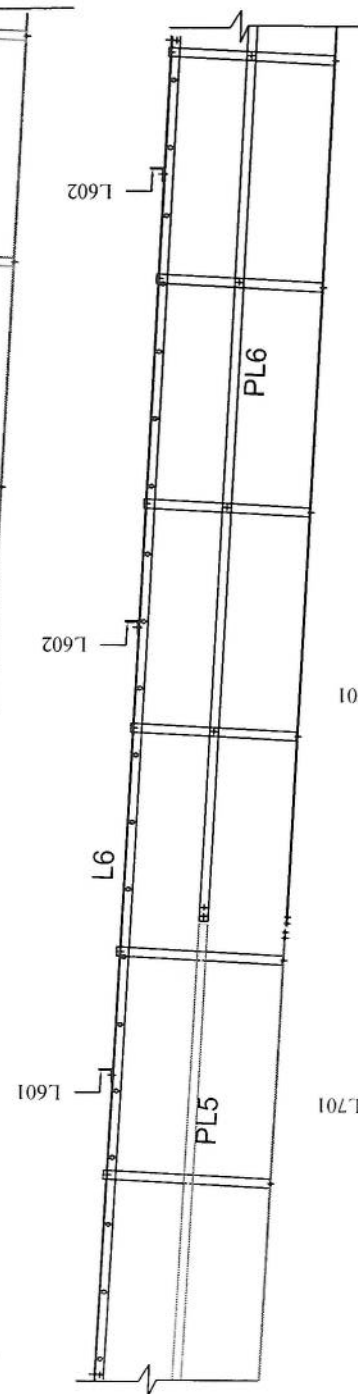
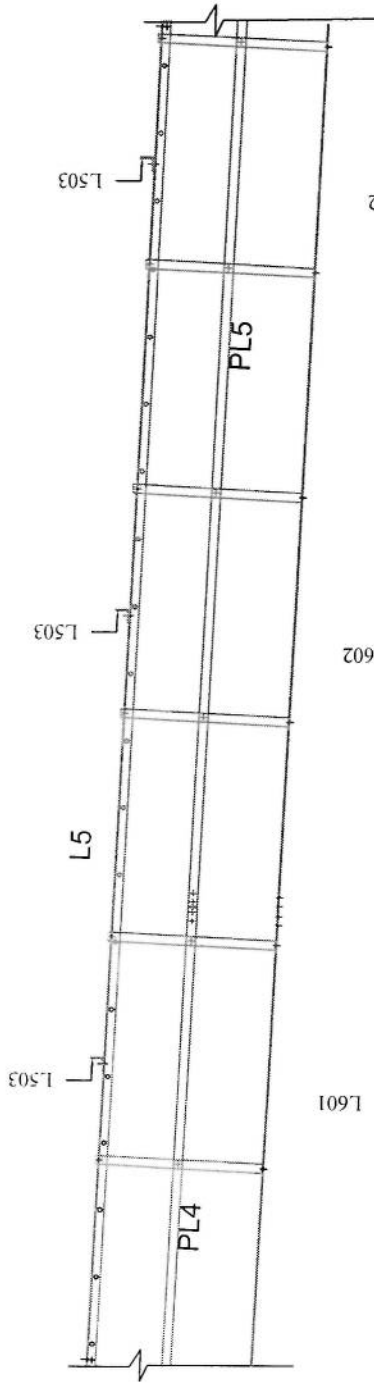


5 4 3 2 1

G
F
E
D
C
B
A

SCALE:	FORMAT A1	DESIGN STAGE:	DATE:
DAKKA SAFAYI DWG NO:	REV:	0	1 OF 20
 DARAKSAZAN KALAN CO. DESIGN AND MANUFACTURE			
 SULTAN MYSOOM CONSULTANTS & ENGINEERS			
APPROVAL DRAWING FOR TOWER TYPE 40-160-EPAID(AK1-40m) PANEL 4			
CLIENT: AFGHAN TELECOM			
NO.	REV.	DATE	BY
1			
2			
3			
4			
5			

Handwritten signature



5

4

3

2

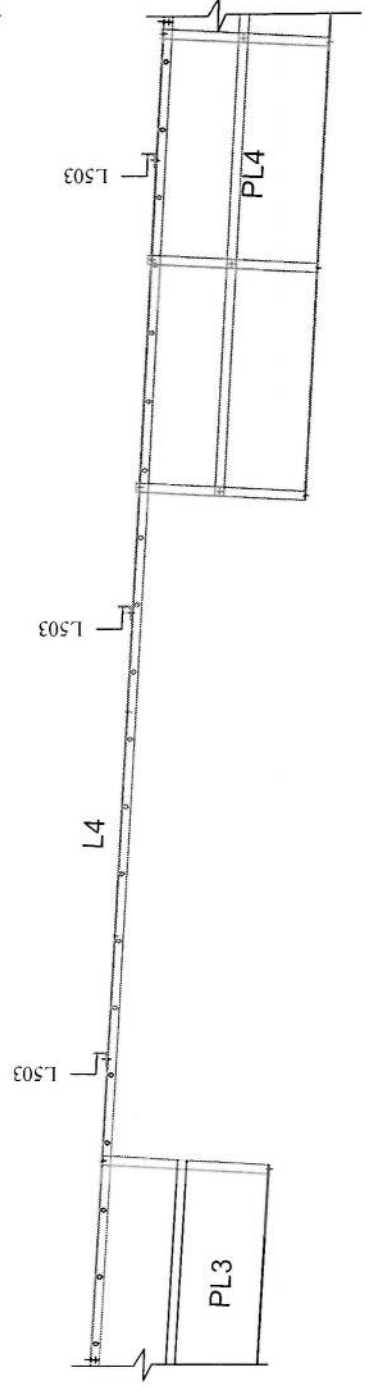
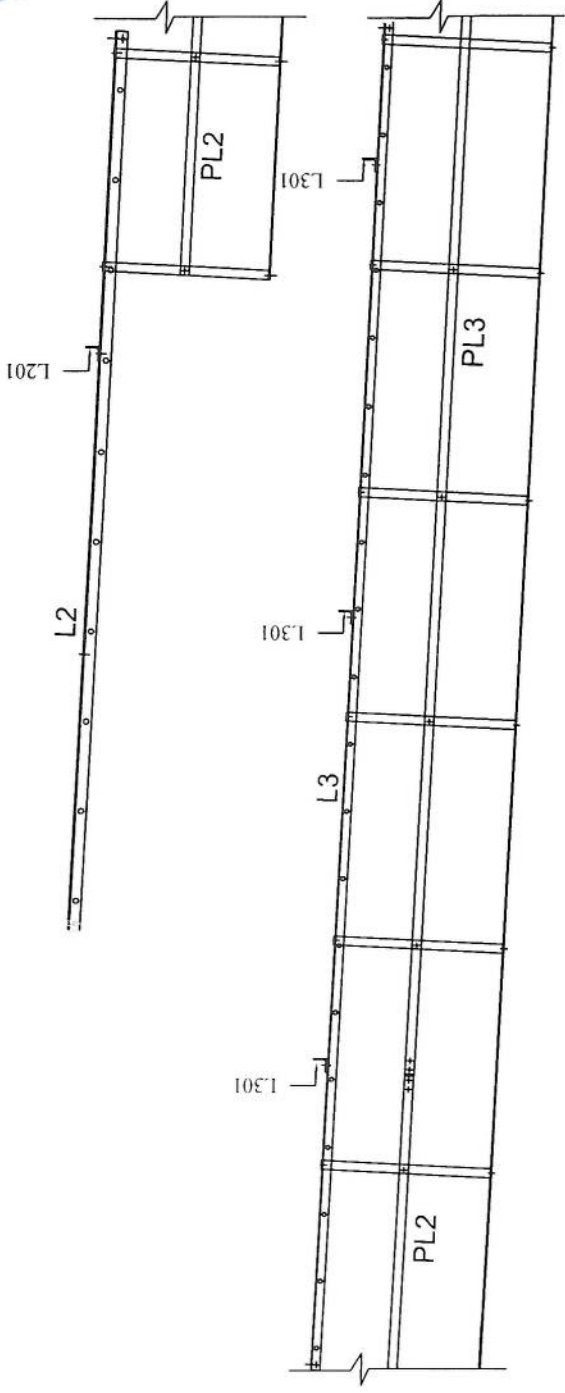
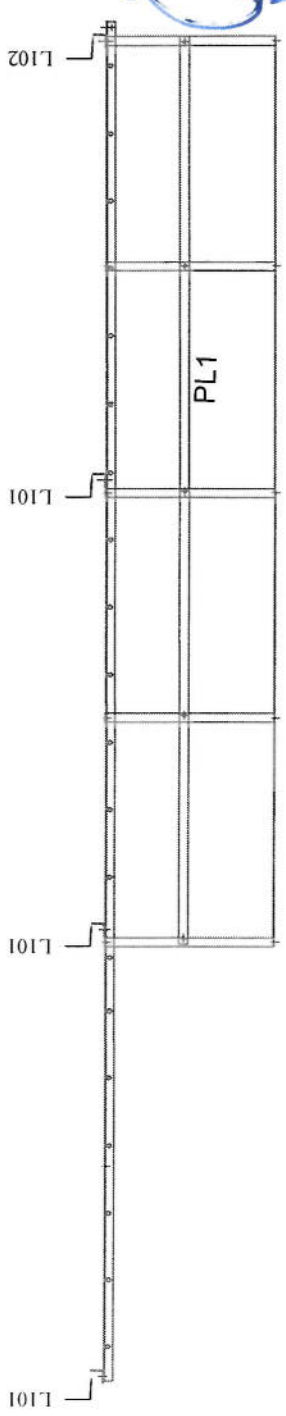
1

A B C D E F G

A B C D E F G

SCALE:	FORMAT:	DESIGN STAGE:	DATE:
DARAKAZAN DWG NO:	REV:	REV:	REV:
 DARAKAZAN KAPAN CO. DESIGN AND MANUFACTURE			
 SULTAN MXROOM MANUFACTURING & LOGISTICS SERVICES			
APPROVAL DRAWING FOR TOWER TYPE 40-160-EPA10(AK1-40m) PANEL 4			
CLIENT: AFGHAN TELECOM			
DESIGNER:	CHECKER:	DATE:	SCALE:
APPROVED:	DATE:	DATE:	DATE:

[Handwritten signature]



5

4

3

2

1