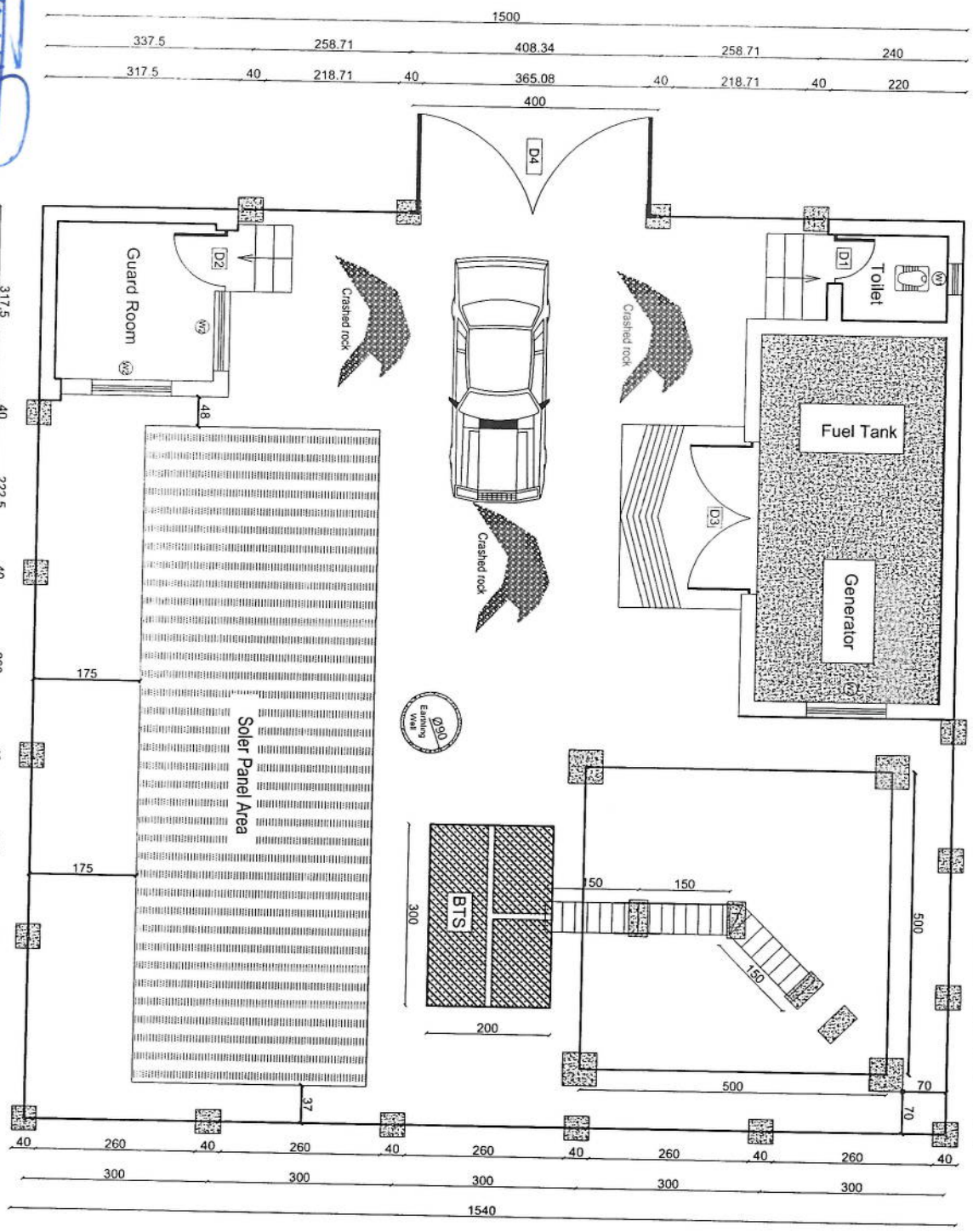


01
SITE PLAN
REF. A101

SCALE: 1:100



165	645.04	1520
25	140	25
225.82	625	225.82
40	173.36	40
185.82	40	185.82
40	195.82	40
40	195.82	40

REVISION RECORDS		
NO	DATE	DESCRIPTION

- LEGEND:
- CRASHED ROCK
 - P.C.
 - WINDOWS TYPE 1
 - WINDOWS TYPE 2
 - DOOR TYPE 1
 - DOOR TYPE 2
 - DOOR TYPE 3
 - DOOR TYPE 4

PROJECT TITLE / NO:
GSM SITES

DRAWING TITLE:
SITE PLAN WITH FENCE WALL

DRAWN BY:
CIVIL TEAM

CHECKED BY:

APPROVED BY:

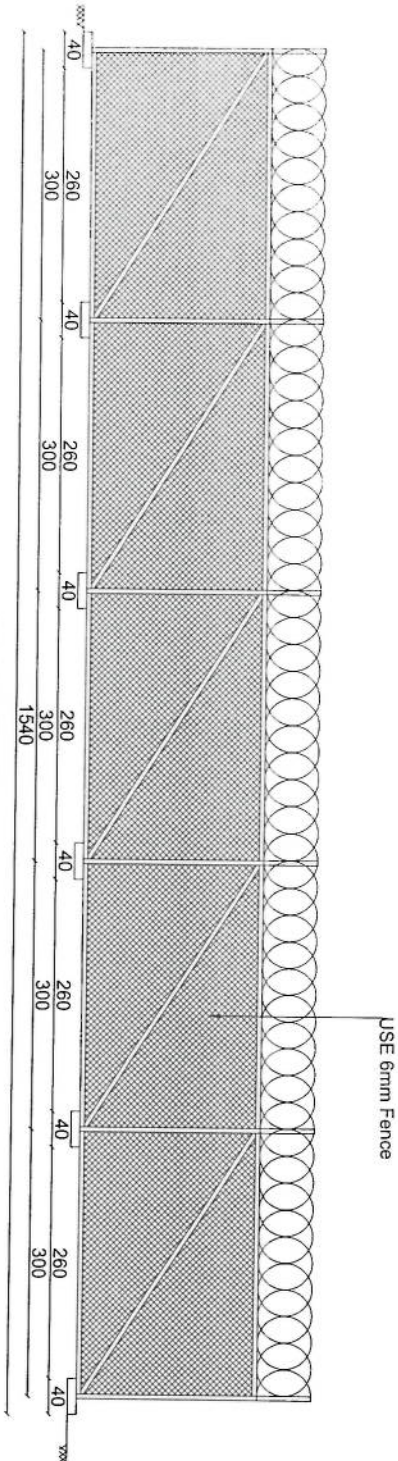
SCALE: 1:100

ACTUAL DATE: 17.02/2025

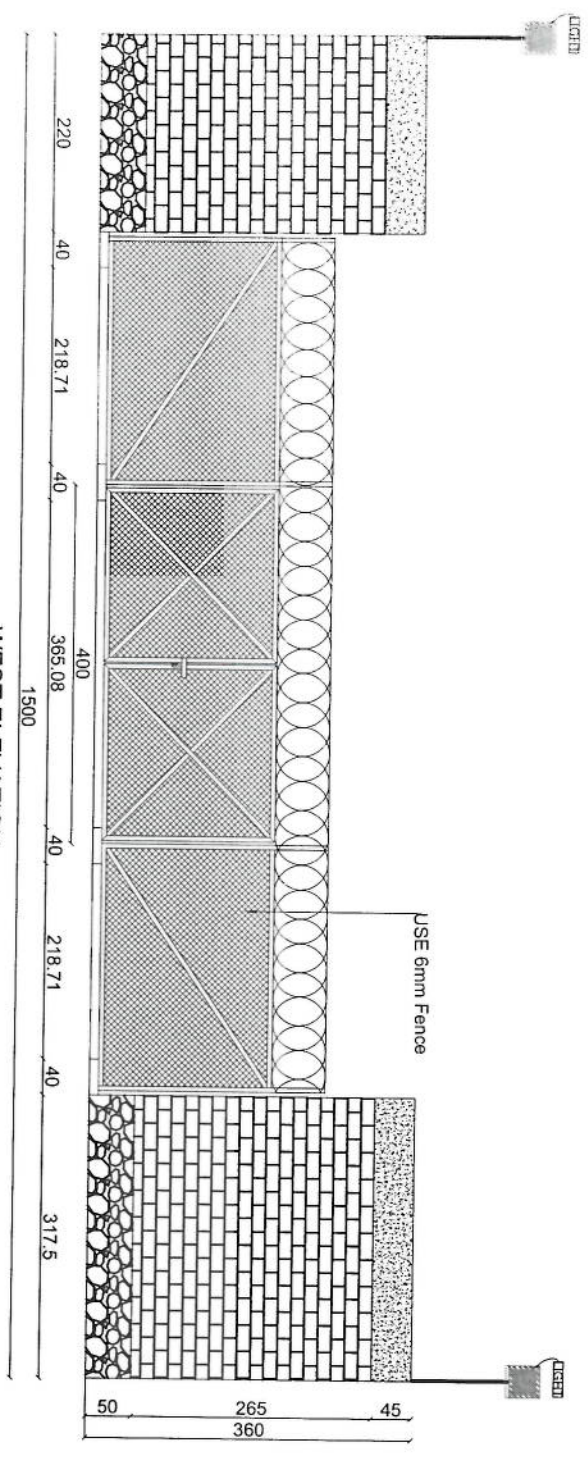
ISSUE DATE: DRG NO: 01

OWNER: AFGHAN TELCOM

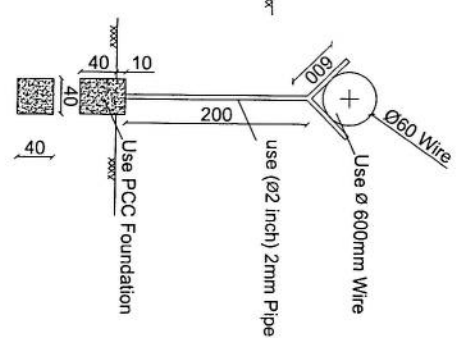
Salman Telecommunication Company
KABUL
AFGHANISTAN



EAST ELEVATION



WEST ELEVATION



REVISION RECORDS	
REVISION NO	DESCRIPTION

LEGEND:

	BRICK FILL
	STONE MASONRY
	PCC (MASTER)
	RAZOR WIRE
	LIGHT

PROJECT TITLE / NO:
GSM SITES

DRAWING TITLE:
FENCE WALL ELEVATIONS & DETAILS

DRAWN BY:
CIVIL TEAM

CHECKED BY:

APPROVED BY:

SCALE: 1:100

ACTUAL DATE: 17/02/2026

ISSUE DATE:

DRG. NO: 02

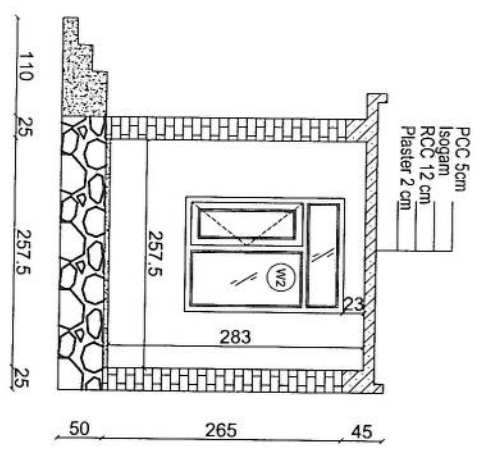
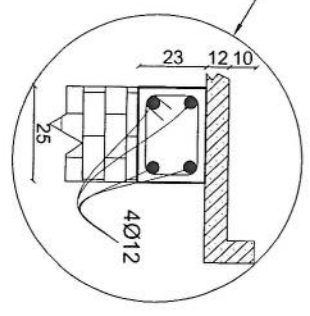
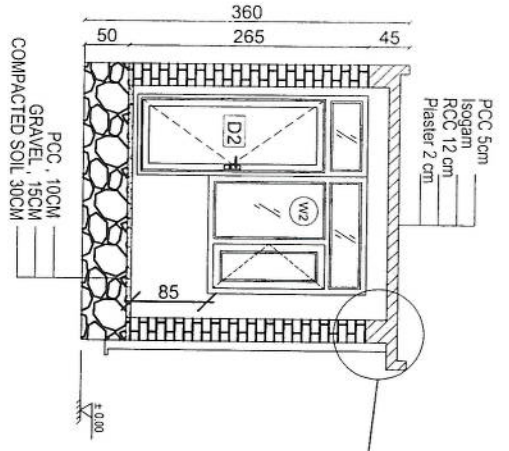
OWNER: AFGHAN TELECOM

System Telecommunication Company
KABUL
AFGHANISTAN

02 REF. A102 WALL ELEVATIONS & DETAILS

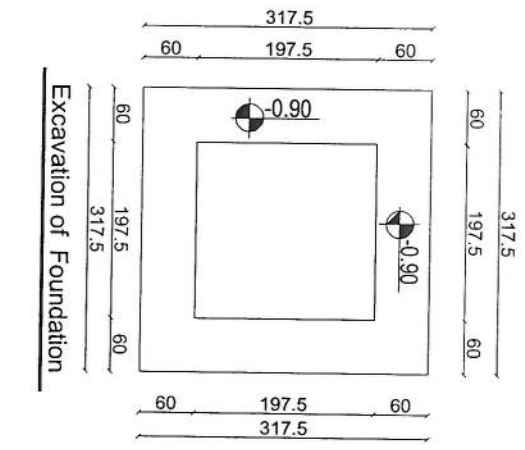
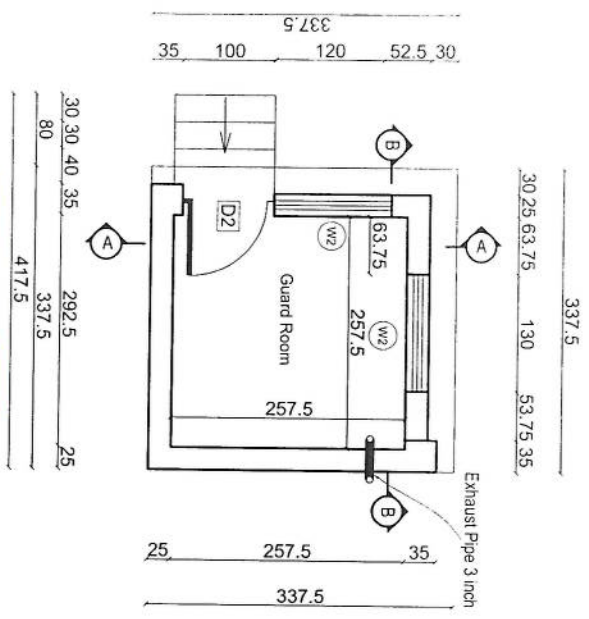
SCALE: 1:100

[Signature]

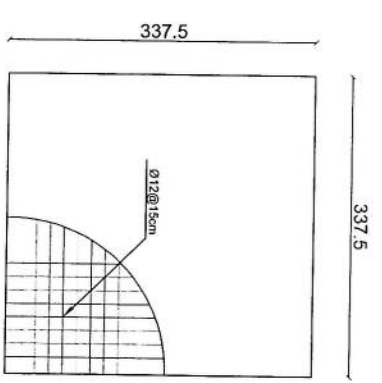


Section AA

Section B-B



Excavation of Foundation



Rebar details of GR roof

GUARD ROOM
REF. A103

SCALE: 1:75

REVISION RECORDS	
REVISION NO	DATE

PROJECT TITLE / NO:	GSM SITES

DRAWING TITLE:
GUARD ROOM

DRAWN BY:	CIVIL TEAM

CHECKED BY:	APPROVED BY:

SCALE:	ACTUAL DATE:	ISSUE DATE:
1/75	17/02/2020	17/02/2020

OWNER:
AFGHAN TELECOM

REVISION RECORDS	
REVISION NO	DATE

LEGEND:

- RCC PLASTER
- RCC
- CHASED BLOCK
- COMPACTED SOIL
- NATURAL SOIL
- GROUND LEVEL
- WINDOW TYPE 2
- DOOR TYPE 3

PROJECT TITLE / NO:
GSM SITES
موقع سائیل جی اس ایم

DRAWING TITLE:
GENERATOR ROOM
اتاق مولد

DRAWN BY:
CIVIL TEAM
تیم مدنی

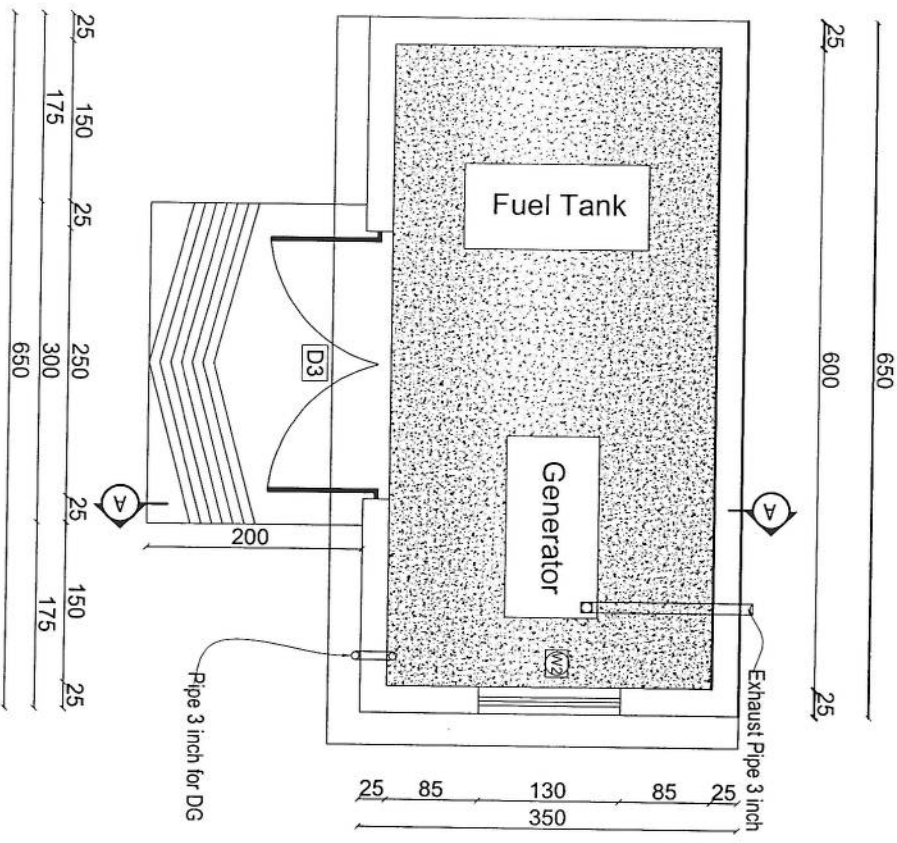
CHECKED BY:

APPROVED BY:

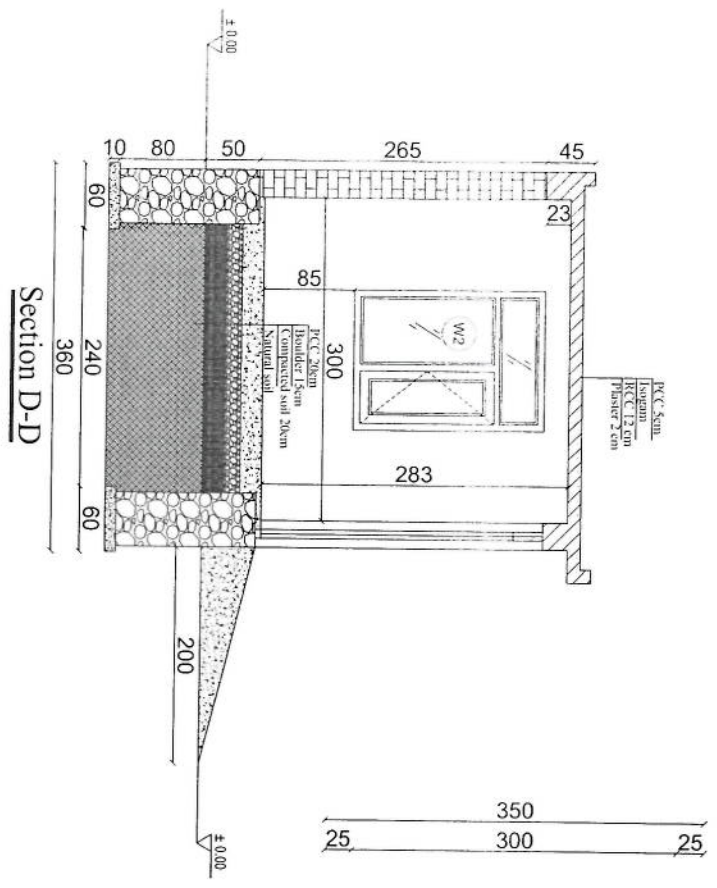
SCALE: 1:25
ACTUAL DATE: 17/02/2026
ISSUE DATE:

OWNER:
AFGHAN TELECOM
شرکت آفغان تیلکام

Salam Telecommunication Company
KABUL
AFGHANISTAN



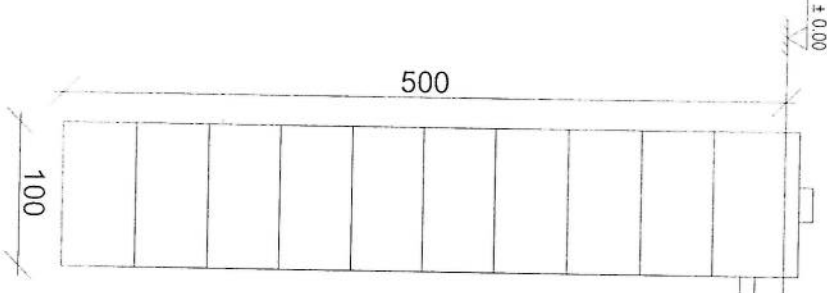
Generator Room Plan



Section D-D

GENERATOR FOUNDATION
REF: A104

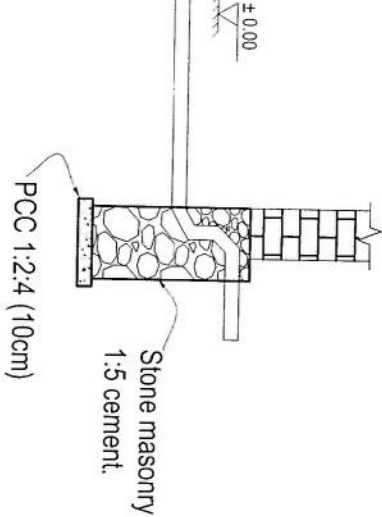
SCALE: 1:25



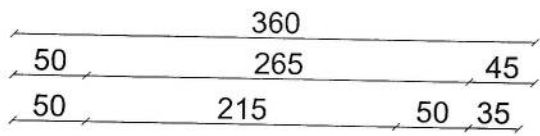
Well for toilet

05 TOILET
REF. A105

SCALE: 1:50

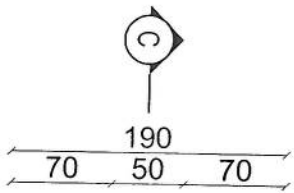
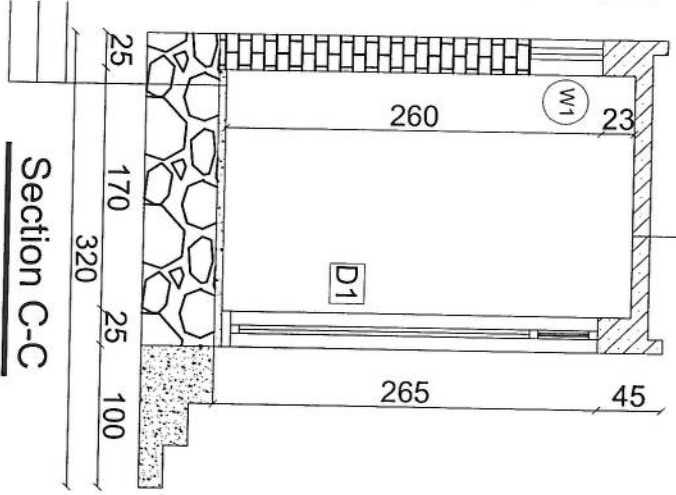


PCC, 10CM
GRAVEL, 15CM
COMPACTED SOIL 30CM

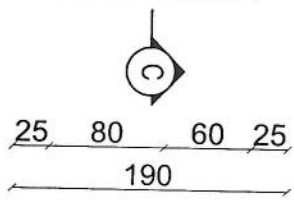
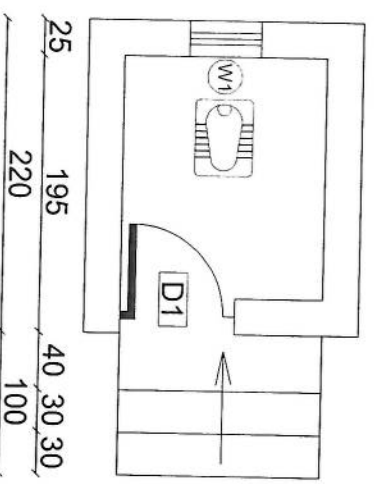


PCC 5cm
Isogam
RCC 12 cm
Plaster 2 cm

Section C-C



Toilet



REVISION RECORDS	
REVISION NO.	DATE

LEGEND:	DESCRIPTION
	BRICK FIELD
	STONE MASONRY
	PCC
	WINDOW TYPE 1
	DOOR TYPE 1
	GROUND LEVEL

PROJECT TITLE / NO:
GSM SITES
کابل ګردان ځای

DRAWING TITLE:
TOILET
کابل

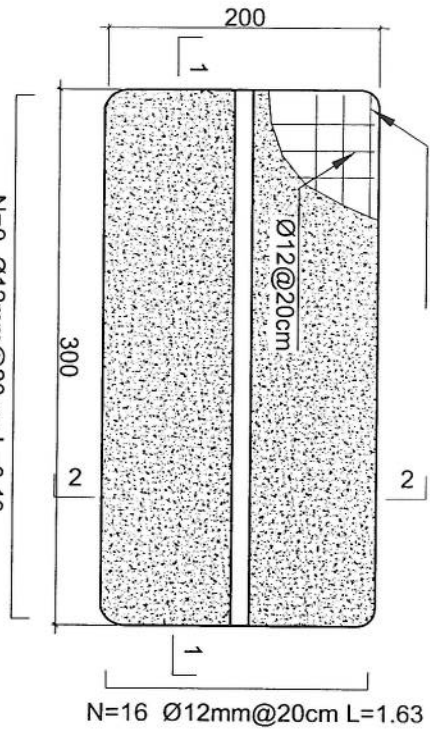
DRAWN BY:
CIVIL TEAM
کابل

CHECKED BY:
کابل

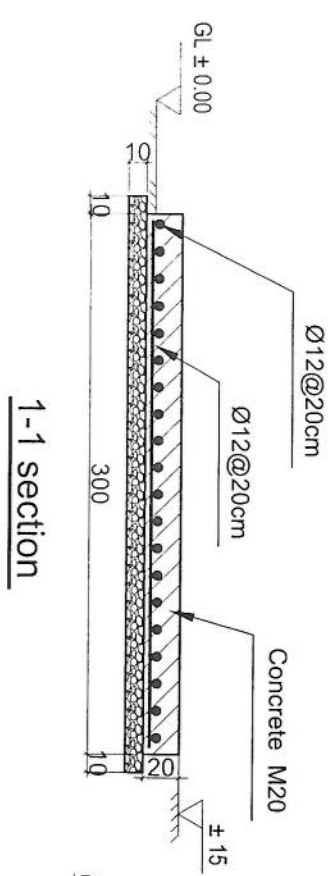
APPROVED BY:
کابل

SCALE: 1:50
ACTUAL DATE: 17/02/2025
ISSUE DATE: 17/02/2025
DRG. NO.: 05
OWNER: AFGHAN TELECOM
کابل

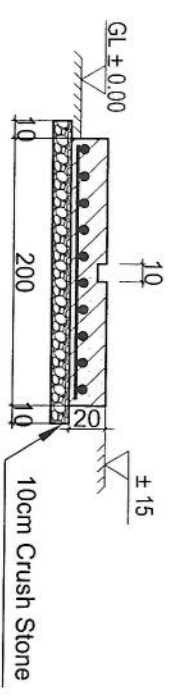
- Notes:
1. The foundation is adopts reinforced concrete, the concrete is M20; (M20:compressive strength is 20N/mm²); the foundation lays on a 10cm thick crush stone pad;
 2. Ø12: mild steel, rebars strength 210N/mm²
 3. minimum concrete cover for rebar is 3.5cm,
 4. All units are in cm
 5. All edges of the Slab should be curve



Outdoor BTS Foundation



2-2 section



REVISION RECORDS	
REVISION NO	DESCRIPTION

LEGEND:	
	Crushed Rock
	RCC (Reinforced Concrete)
	Ground Level

PROJECT TITLE/NO:
GSM SITES
طرازي ټولگه
سټيشن ټولگه

DRAWING TITLE:
ZTE OUTDOOR BTS FOUNDATION
BTS ټولگه

DRAWN BY:
CIVIL TEAM

CHECKED BY:

APPROVED BY:

SCALE: 1:25
ACTUAL DATE: 17/02/2026
ISSUE DATE:

OWNER:
AFGHAN TELECOM

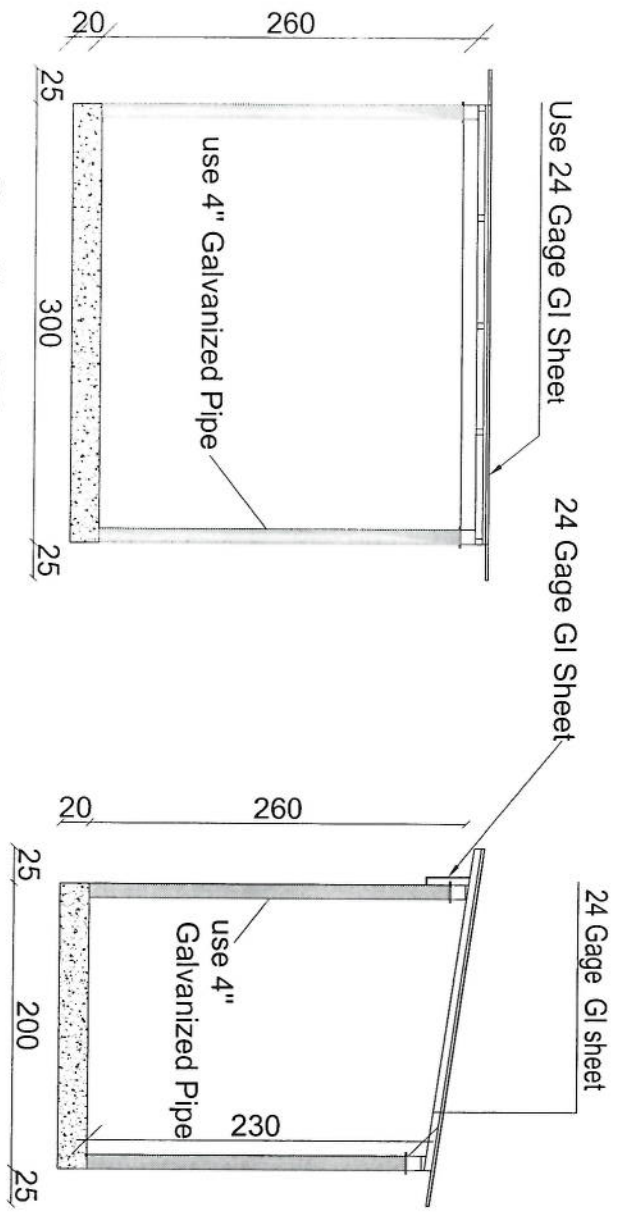
Salam Telecomunication Company
KABUL
AFGHANISTAN

REVISION RECORDS	
REVISION NO	DESCRIPTION

OWNER:	AFGHAN TELECOM
OWNER:	Sasmi Telecommunication Company
OWNER:	KABUL
OWNER:	AFGHANISTAN

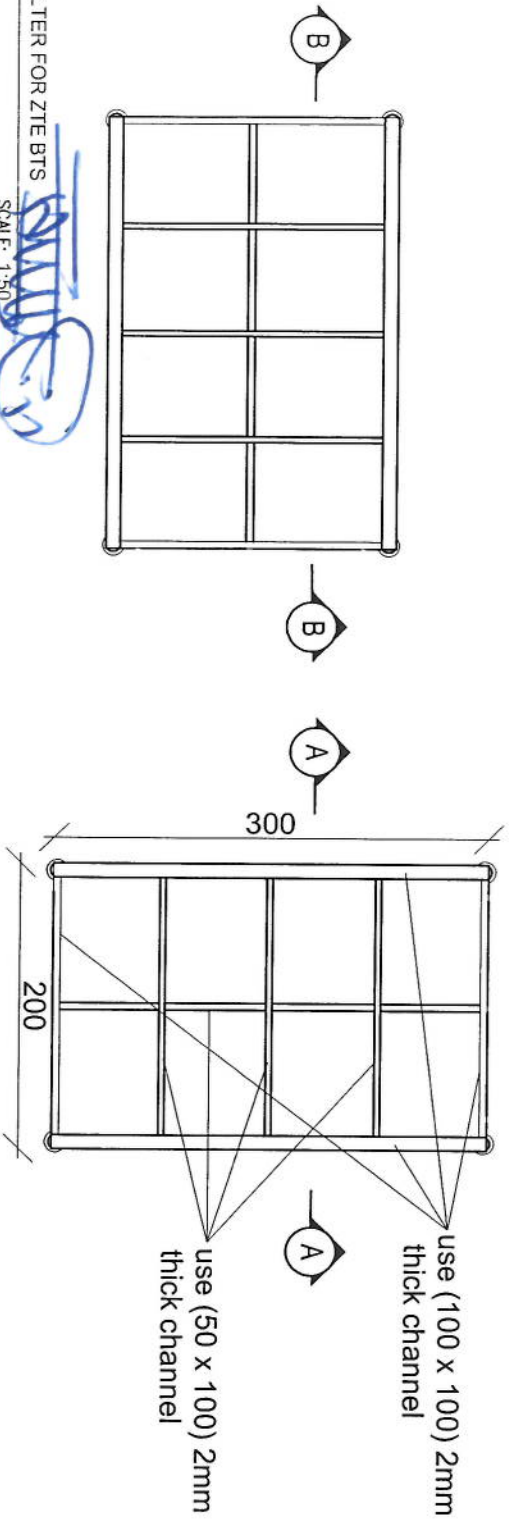
PROJECT TITLE / NO:	GSM SITES
DRAWING TITLE:	SUN SHELTER FOR ZTE BTS
DRAWN BY:	CIVIL TEAM
CHECKED BY:	
APPROVED BY:	
SCALE:	1:50
ACTUAL DATE:	23/02/2025
ISSUE DATE:	
DRG NO.:	07

REVISION NO		
DATE		
DESCRIPTION		



Section BB

Section AA



SUN SHELTER FOR ZTE BTS
REF: A107

SCALE: 1:50

OWNER: AFGHAN TELECOM
OWNER: Sasmi Telecommunication Company
OWNER: KABUL
OWNER: AFGHANISTAN

REVISION RECORDS			
REVISION NO	DATE	DESCRIPTION	

LEGEND:

	BRICK FIBRO
	WINDOWS TYPE 1
	WINDOWS TYPE 2
	DOOR TYPE 1
	DOOR TYPE 2
	DOOR TYPE 3

PROJECT TITLE/NO:
GSM SITES

DRAWING TITLE:
DOORS & WINDOWS DETAILS

DRAWN BY:
CIVIL TEAM

CHECKED BY:

APPROVED BY:

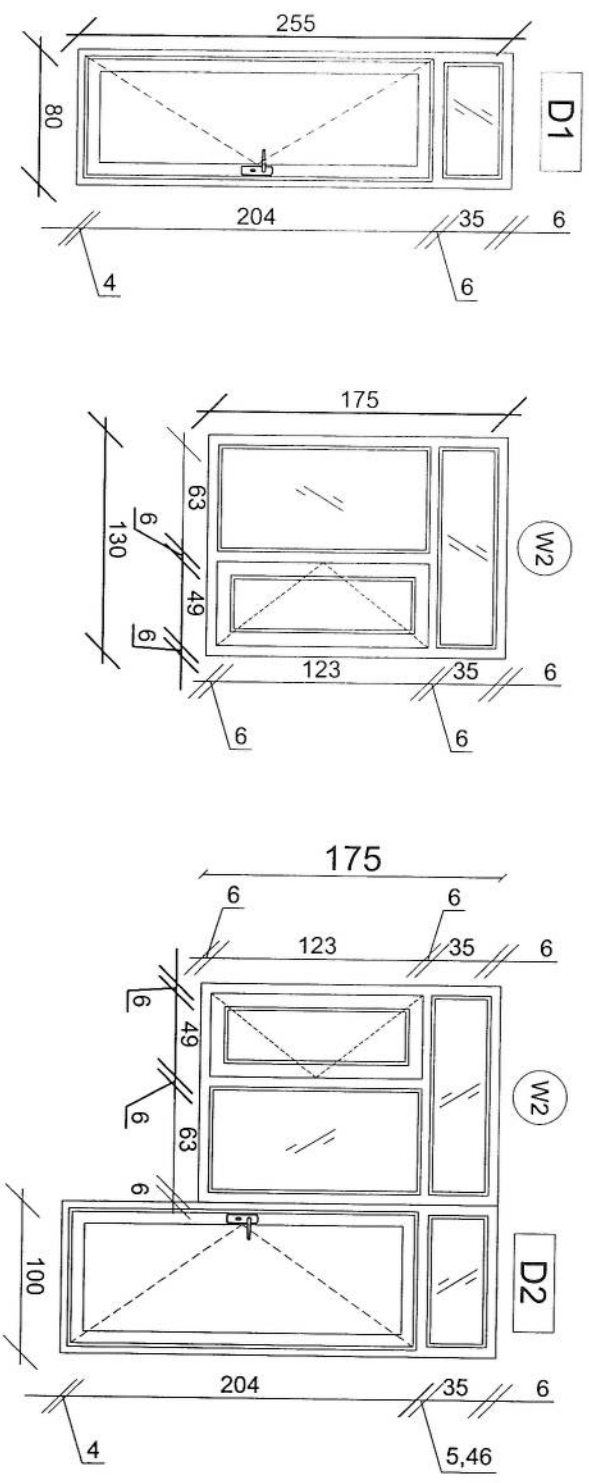
SCALE: 1:25

ACTUAL DATE: 17/02/2020

ISSUE DATE: DRG. NO: 08

OWNER: AFGHAN TELECOM

Selam Telecomunication Company
KABUL
AFGHANISTAN



DOORS & WINDOWS DETAILS

SCALE: 1:25

REF: A108

08

REVISION RECORDS	
REVISION NO	DESCRIPTION

LEGEND:

BRICK PIED

DOOR TYPE 1

DOOR TYPE 4

PROJECT TITLE / NO:
GSM SITES

DRAWING TITLE:
SITE & GENERATOR R DOOR
DETAILS

DRAWN BY:
CIVIL TEAM

CHECKED BY:

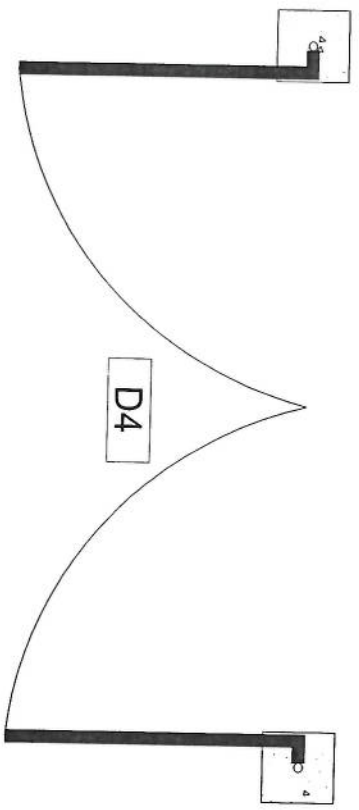
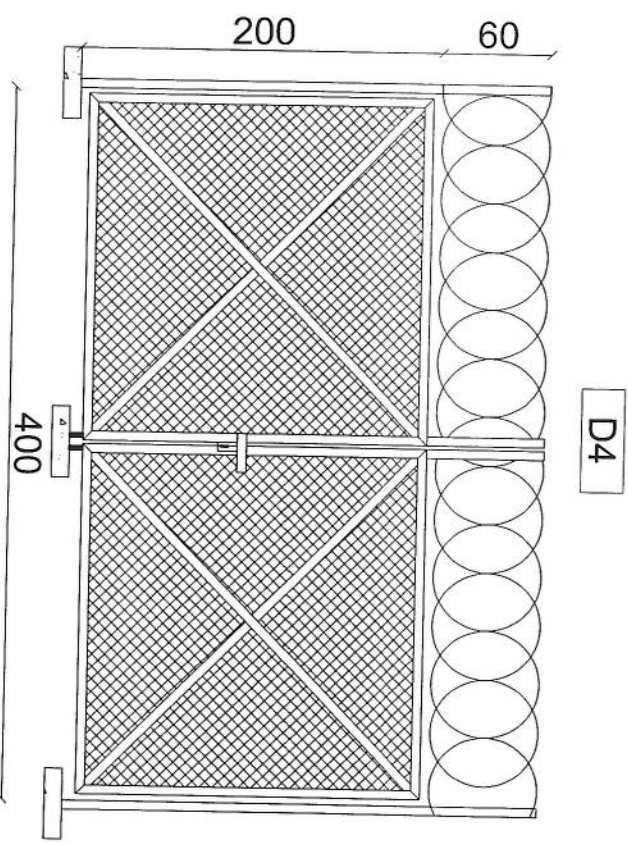
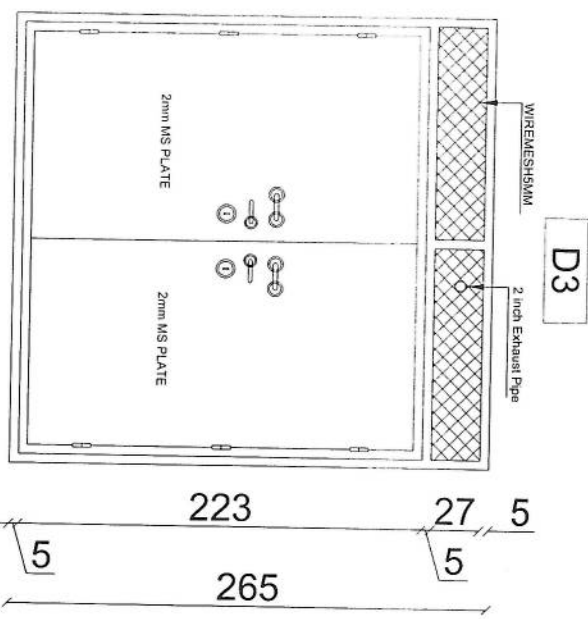
APPROVED BY:

SCALE: 1:25

ACTUAL DATE: 17/02/2028

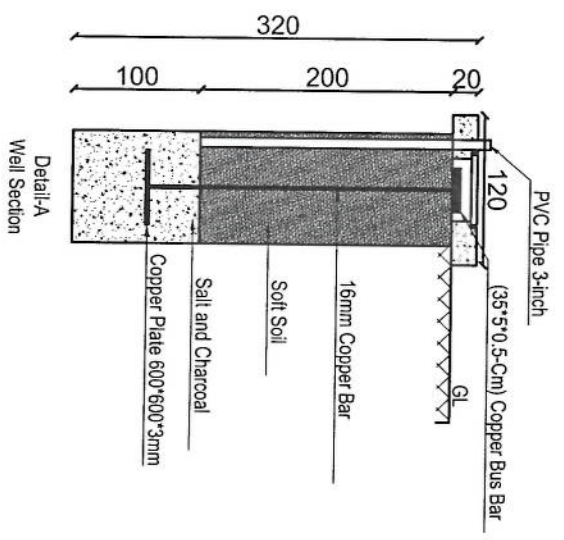
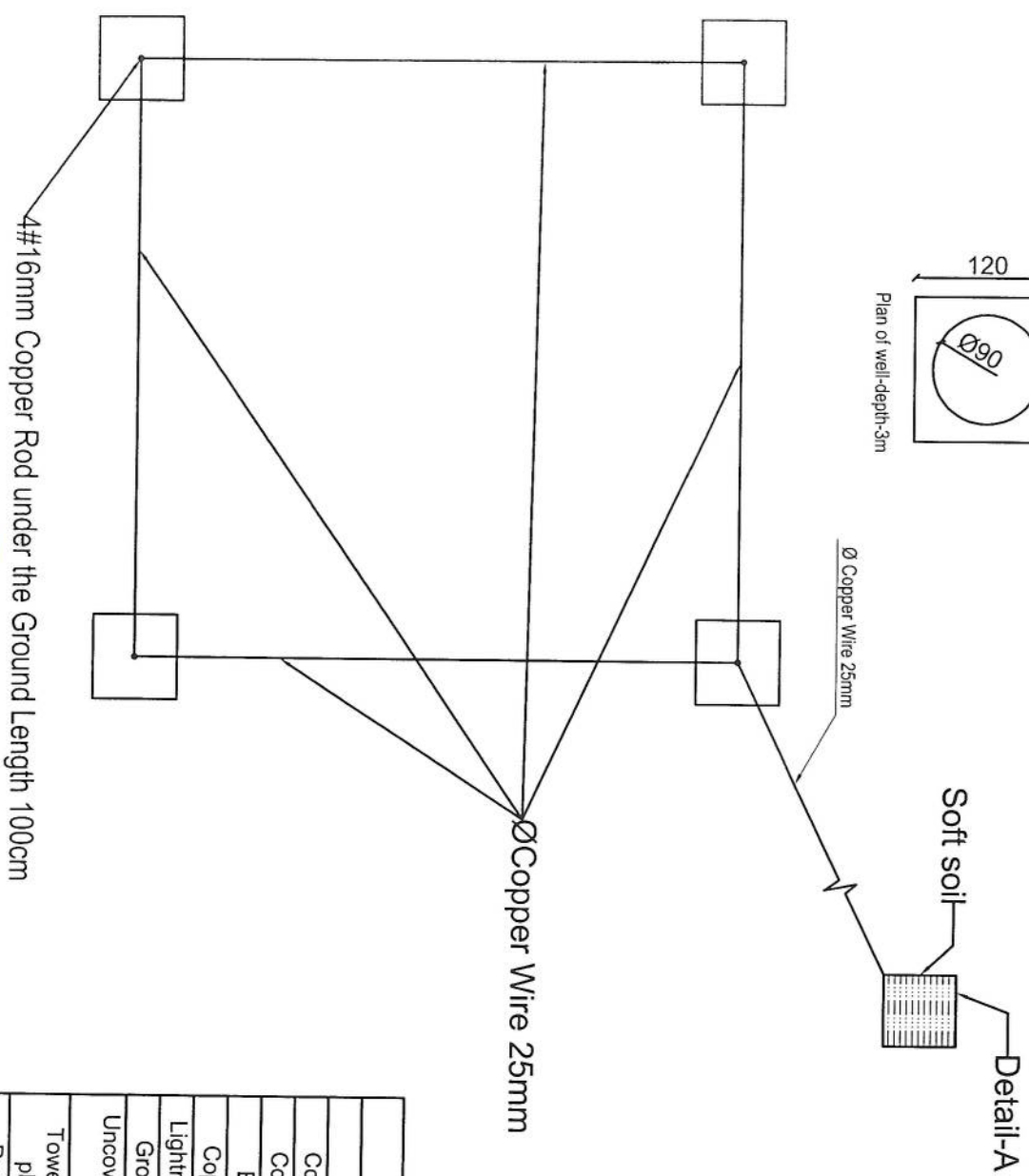
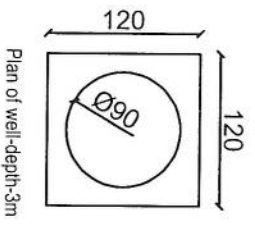
ISSUE DATE: DRG NO: 09

OWNER: AFGHAN TELECOM



SITE & GENERATOR R DOOR DETAILS

SCALE: 1:25



Item List		
Item	Quantity	Dimension
Copper Rod	4	1m*Ø16mm
Copper Rod	1	2m*Ø16mm
Bus Bar	5	35cm*5cm*5mm
Copper Plate	1	60cm*60cm*3mm
Lightning Arrestor	1	1m
Ground Cable	60m	25mm
Uncovered Ground Cable	32m	25mm
Tower Light with photo cell	1	48V DC
Power Cable	50m	2*2mm

#16mm Copper Rod under the Ground Length 100cm

01 Grounding system- well plan & section
 REF: A101
 SCALE: 1:75

REVISION RECORDS		
REVISION NO	DATE	DESCRIPTION

LEGEND:
 PCC
 Soft Soil

PROJECT TITLE / NO:
 GSM SITES
 عنوان پروژه: GSM سایتها

DRAWING TITLE:
 40m Tower Grounding System
 عنوان نقشه: سیستم زمین‌گذاری برای برج 40متری

DRAWN BY:
 CIVIL TEAM

CHECKED BY:

APPROVED BY:

SCALE: 1/75
 ACTUAL DATE: 10/09/2025
 ISSUE DATE: DRG NO: 01

OWNER:
 AFOGHAN TELECOM

5

4

3

2

1

A

B

C

D

E

F

G

TOWER TYPE "AK1"

LATTICE Tower:40m

Loading-EPA=10 -Wind speed 160km/h



Handwritten signature in blue ink.

A B C D E F G



Handwritten signature

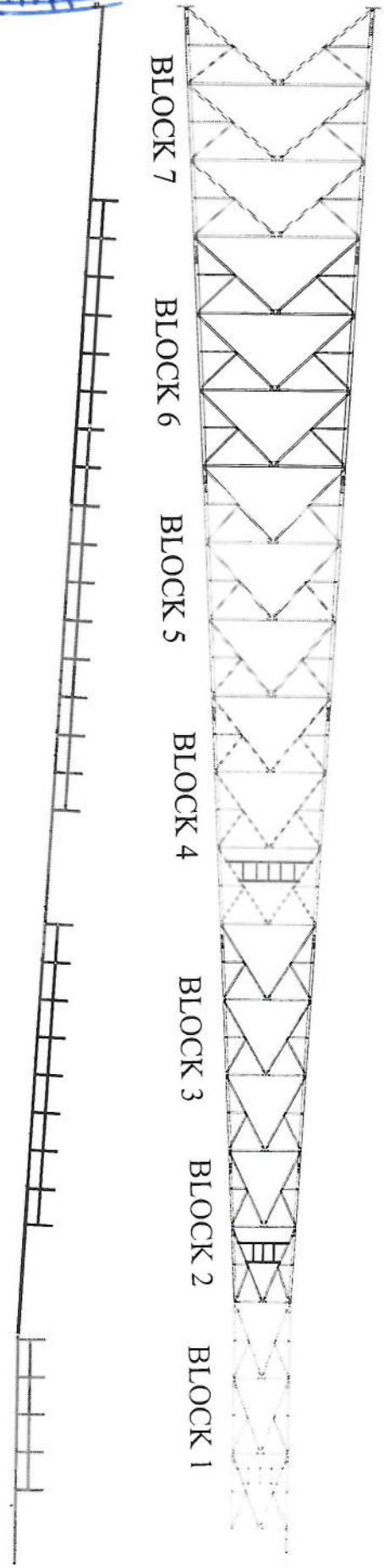
LATTICE Tower:40m
 Loading-EPA=10 -Wind speed 160km/h
 APPROVAL DRAWING
 TOWER TYPE "AK1"

TOTAL WEIGHT IN 40 M G.F TOWER	
BLOCK NO. BLOCK HEIGHT (M)	WEIGHT
BLOCK 1	6
BLOCK 2	4
BLOCK 3	6
BLOCK 4	6
BLOCK 5	6
BLOCK 6	6
BLOCK 7	6
LADDER	740.09 Kg
SUPPORTER	161.29 Kg
BASE	524.41 Kg
TOTAL	
8006.20 Kg	

G T F D C B A

RED	WHITE	RED	WHITE	RED
-----	-------	-----	-------	-----

40M TOWER VIEW



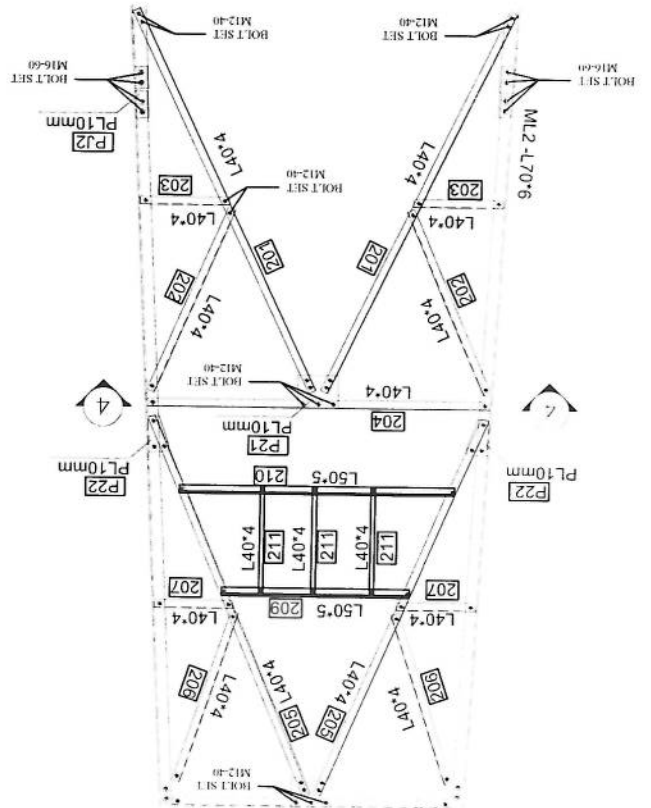
SCALE:	FORMAT A1	DESIGN STAGE	DETAIL DESIGN
DAKALSAZAN DWG NO.	REV:	SH.	TOTAL
0	1	0	1 OF: 20
DESIGN AND MANUFACTURER DAKALSAZAN KALAN CO.			
CONTRACTOR SUITAN MISOOM			
TITLE: APPROVAL DRAWING FOR TOWER TYPE 40-160-EPA10(AK1-40m) PANEL 4			
CLIENT: AFGHAN TELECOM			
REV	DESCRIPTION	DESIGN	DATE
2	FIRST ISSUE	AKH	---
		CHK	---
		APP	---
		VER	---

5 4 3 2 1

Block	Mark	Description	Length	WEIGHT	Qty	Total Weight
BL2	ML2	L70X6	4.005	26.0296965	4	104.118786
BL2	201	L40X4	2.303	5.6692951	8	45.3543608
BL2	202	L40X4	1.083	2.6660211	8	21.3281688
BL2	203	L40X4	0.425	1.0462225	8	8.36978
BL2	204	L40X4	1.69	4.160273	4	16.641092
BL2	205	L40X4	2.32	5.711144	8	45.689152
BL2	206	L40X4	1.115	2.7447955	8	21.958364
BL2	207	L40X4	0.37	0.910829	8	7.28632
BL2	209	L50X5	0.96	3.688224	4	14.752896
BL2	210	L50X5	1.38	5.301822	4	21.207288
BL2	211	L40X4	0.585	1.4400945	12	17.281134
BL2	S201	L50X5	0.877	3.3693463	3	10.1080389
BL2	S202	L50X5	0.519	1.9939461	4	7.975744
BL2	S203	L50X5	0.579	2.2244601	2	4.4489202
BL2	L201	L50X5	1.723	6.6195937	1	6.6195937
BL2	L202	L50X5	1.723	6.6195937	3	19.8587811
BL2	ML2-40	PL100X40X8	1	0.2575	10	2.575
BL2	ML2-60	ML2-60	1	0.16274	32	5.20768
BL2	Bot Set	ML2-40	1	0.06798	304	20.66592
BL2	P21	PL240*160*10	1	3.1003	4	12.4012
BL2	P22	PL119*110*10	1	1.0699	8	8.4872
BL2	P12	PL320*60*10	1	1.5533	8	12.4424
BL2	ML2	L60X6	0.32	1.769952	4	7.079808
BL2	MESH	HEVY MESH	2.5	28.325	1	28.325
BL2	WASHER		1	0.008446	336	2.837856
Total						473.02 Kg

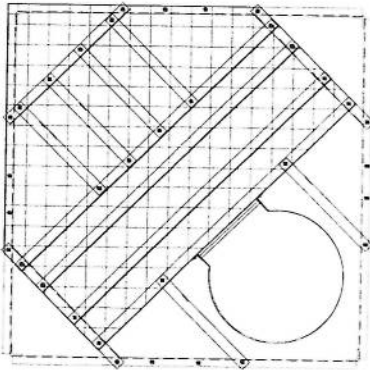
Handwritten signature

BLOCK 2

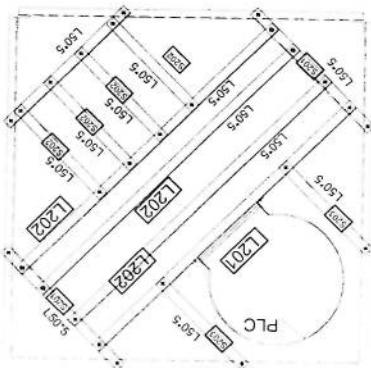


NOTE:
 1 ALL BOLT SET IN BRACING ARE M12-40
 2 ALL BOLT SET IN MAIN LEGS AND JOINT ARE M16-60
 3 ALL PLATE AND JOINT PLATE ARE PLATE 10mm

SECTION 4-4



SECTION 4-4



PROFILES GRADE LEGEND

- 1-L=ST37
- 2-ML=ST50
- 3-HT=ST52

4-ALL JOINT PLATES ARE ST52

AFGHAN TELECOM

APPROVAL DRAWING FOR TOWER TYPE 40-160-EPA10(AK1-40m) PANEL 4

CONTRACTOR: SUTUN MYSOOM

DESIGN AND MANUFACTURER: DARALAZAN KALAN CO.

SCALE: 1:100

DATE: 1 OF 20

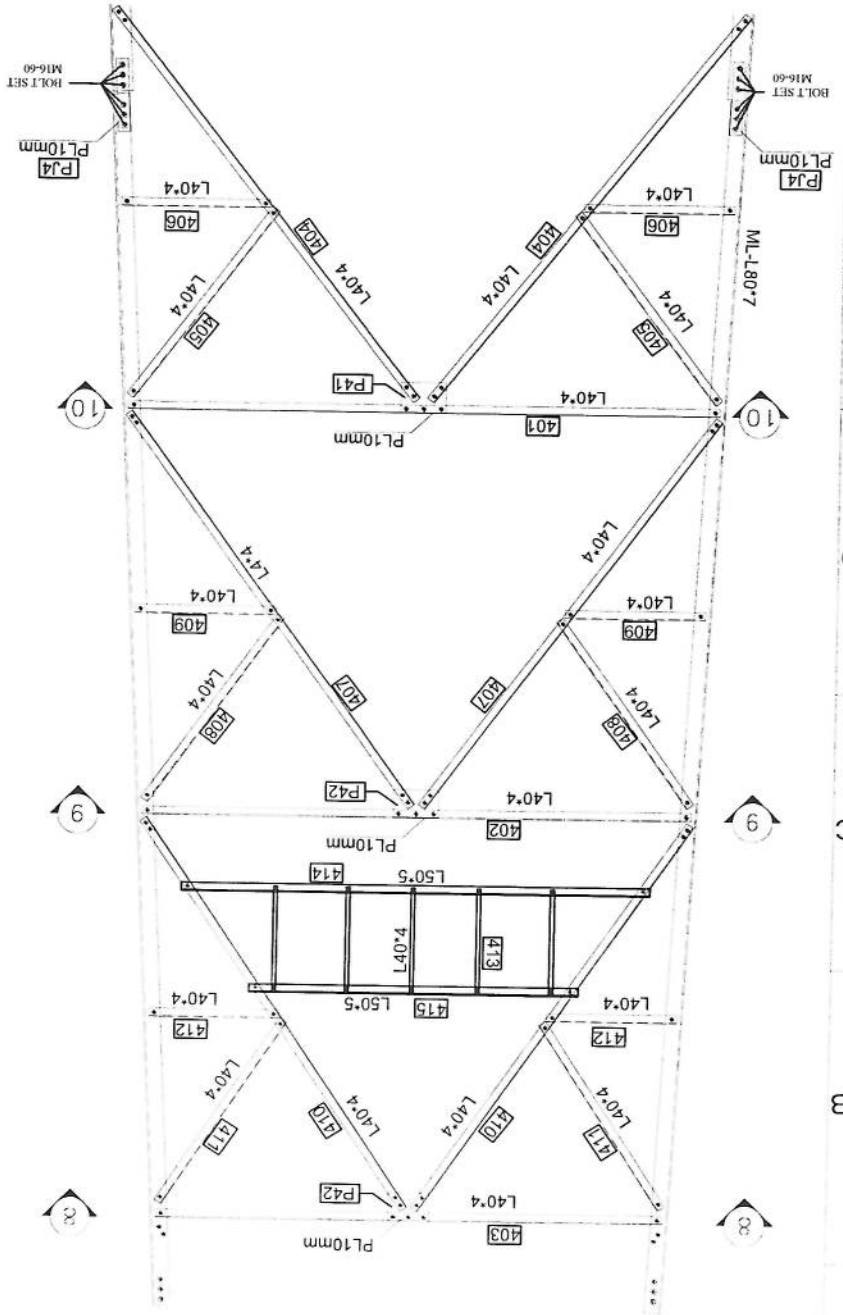
CLIENT:	AFGHAN TELECOM
TITLE:	APPROVAL DRAWING FOR TOWER TYPE 40-160-EPA10(AK1-40m) PANEL 4
CONTRACTOR:	SULTAN MANSOOR
DESIGN AND MANUFACTURER:	DARALSAZAN KALAN CO.
SCALE:	FORMAT: A1
DESIGN STAGE:	DESIGN
DATE:	1 OF 20

PROFILES GRADE LEGEND

1-L = ST37
 2-ML = ST50
 3-HT = ST52
 4-ALL JOINT PLATES ARE ST52

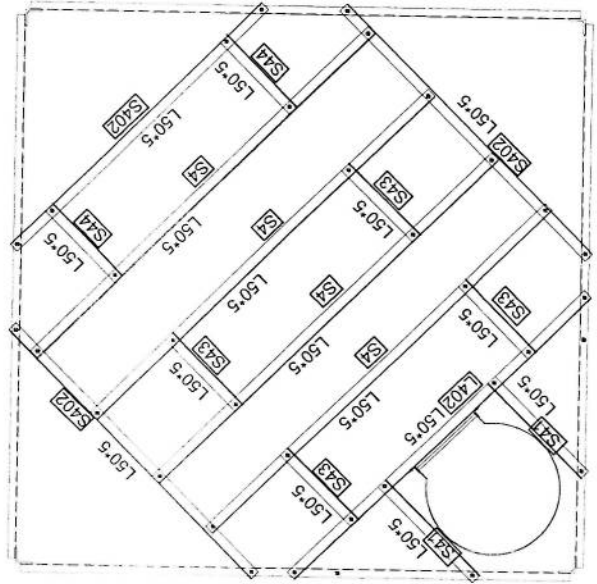
[Handwritten signature]

BLOCK 4

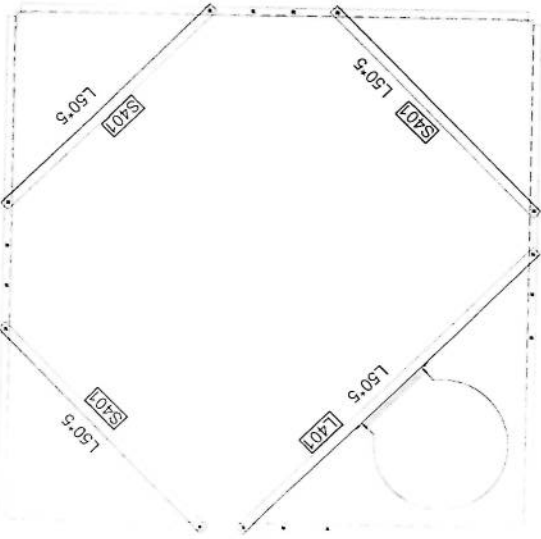


NOTE:
 1. ALL BOLT SET IN BRACING ARE M12-40
 2. ALL BOLT SET IN MAIN LEGS AND JOINT ARE M16-60
 3. ALL PLATE AND JOINT PLATE ARE PLATE 10mm

SECTION 9-9



SECTION 8-8



5

4

3

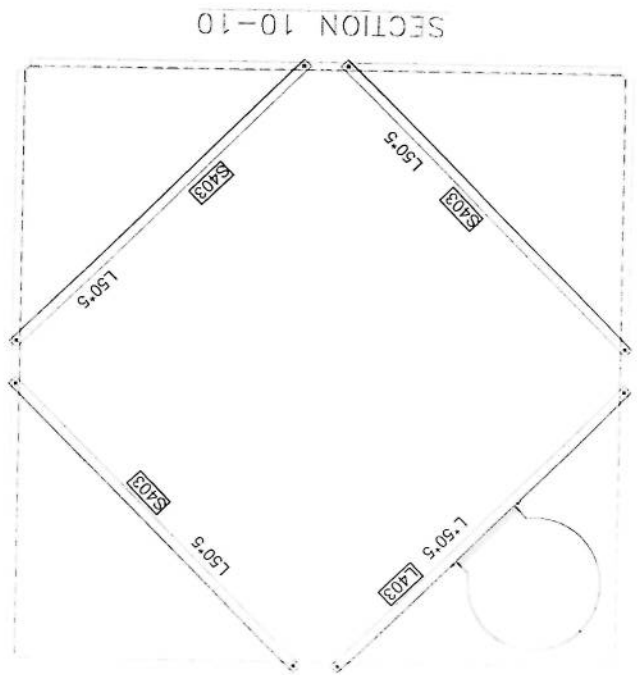
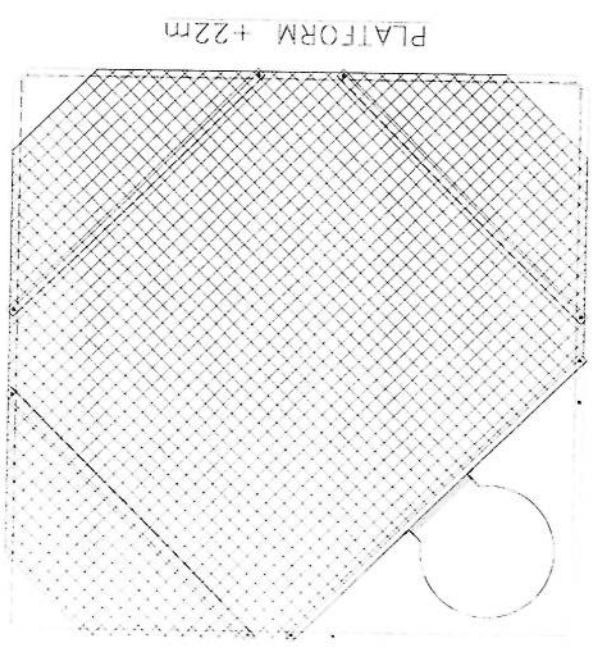
2

1

A
B
C
D
E
F
G

A B C D E F G

Block	Mark	Description	Length	WEIGHT	Qty	Total Weight
BL4	M14	L80X7	6.005	52.017115	4	208.068446
BL4	401	L40X4	2.955	7.2743235	4	29.097294
BL4	402	L40X4	2.75	6.769675	4	27.0787
BL4	403	L40X4	2.534	6.237978	4	24.9517912
BL4	404	L40X4	2.444	6.0163948	8	48.1311584
BL4	405	L40X4	1.85	2.917145	8	23.336916
BL4	406	L40X4	0.71	1.747807	8	13.982456
BL4	407	L40X4	2.38	5.85846	8	46.870768
BL4	408	L40X4	1.58	2.8506486	8	22.8051888
BL4	409	L40X4	0.664	1.6345688	8	13.0765504
BL4	410	L40X4	2.321	5.7136057	8	45.7088456
BL4	411	L40X4	1.132	2.7866444	8	22.2931552
BL4	412	L40X4	0.617	1.5188689	8	12.1509512
BL4	413	L40X4	0.545	1.3416265	20	26.83253
BL4	414	L50X5	2.293	8.8094767	4	35.2379068
BL4	415	L50X5	1.59	6.108621	4	24.434484
BL4	L401	L50X5	1.995	7.6645905	1	7.6645905
BL4	S401	L50X5	1.519	5.8358461	3	17.5075383
BL4	S402	L50X5	1.7	6.33123	3	19.59369
BL4	S403	L50X5	1.986	7.6300134	3	22.890402
BL4	L403	L50X5	1.986	7.6300134	1	7.6300134
BL4	S4	L50X5	1.387	5.3287153	4	21.314812
BL4	S44	L50X5	0.61	2.343559	2	4.687118
BL4	S41	L50X5	0.62	2.381978	2	4.763956
BL4	S43	L50X5	0.467	1.7941673	4	7.1766692
BL4	P41	P1300*200*10	1	4.8513	4	19.4052
BL4	P42	P1300*200*10	1	4.8513	4	19.4052
BL4	P43	P1300*200*10	1	4.8513	4	19.4052
BL4	M14	L70X6	0.42	2.729706	4	10.918824
BL4	P14	P1420*80*10	1	2.7192	8	21.7536
BL4	Boil Set	M12-60	1	0.16274	64	10.41536
BL4	Boil Set	M12-40	1	0.06798	372	25.28856
BL4	Washer	P1100X40X8	1	0.2575	20	5.15
BL4	MESH	HEVY MESH	5.1	57.783	1	57.783
BL4	WASHER		1	0.008446	436	3.682456
						938.12 Kg



SCALE: 1:100

REV: 0

DATE: 10/10/20

FORMAL: AT

DESIGN STAGE: DETAIL DESIGN

DAKATSAZAN BMO NO.

DAKATSAZAN KALAN CO.

DESIGN AND MANUFACTURER

CONTRACTOR: SULTAN MANSOOR

FOR TOWER TYPE 40-160-FPA10(AK1-40m) PANEL 4

APPROVAL DRAWING

AFGHAN TELECON

CLIENT: AFGHAN TELECON

NO.	REV.	DESCRIPTION	DATE
1			

Handwritten signature in blue ink.

Block	Mark	Description	Length	WEIGHT	Qty	Total Weight
BL5	ML5	L100X8	6.005	74.592909	4	298.371636
BL5	S01	L50X5	3.588	13.7847372	4	55.1389488
BL5	S02	L50X5	3.382	12.993058	4	51.9732232
BL5	S03	L50X5	3.177	12.2057163	4	48.8228652
BL5	S04	L50X5	2.648	10.173512	8	81.3888096
BL5	S05	L40X4	1.24	3.052508	8	24.420064
BL5	S06	L40X4	2.0136706	8.18	8	16.1093648
BL5	S07	L50X5	2.577	9.9005763	8	79.2046104
BL5	S08	L40X4	1.208	2.973336	8	23.7898888
BL5	S09	L40X4	0.771	1.8979707	8	15.1837656
BL5	S10	L50X5	2.514	9.6585366	8	77.2682928
BL5	S11	L40X4	1.177	2.8974209	8	23.1793672
BL5	S12	L40X4	0.724	1.7822708	8	14.2581664
BL5	L503	L60X5	1.98	9.197694	3	27.593082
BL5	S503	L60X5	1.98	9.197694	9	82.779246
BL5	P51	PL260*180*10	3.7801	3.7801	4	15.1204
BL5	P52	PL260*180*10	3.7801	3.7801	4	15.1204
BL5	P53	PL260*180*10	3.7801	3.7801	4	15.1204
BL5	Bolt Set	M16-60	1	0.16274	64	10.41536
BL5	Bolt Set	M12-40	1	0.06798	288	19.57824
BL5	MU5	L80X7	0.42	3.638166	4	14.552664
BL5	PJ5	PL420*90*10	1	3.0591	8	24.4728
BL5	Washer		1	0.008446	350	2.9561
						1036.82 Kg
						Total

Handwritten signature in blue ink.

CLIENT: AFGHAN TELECOM

TITLE: APPROVAL DRAWING FOR TOWER TYPE 40-160-CPA10(AK1-40m) PANEL 4

CONTRACTOR: SUTUN MYSOOM

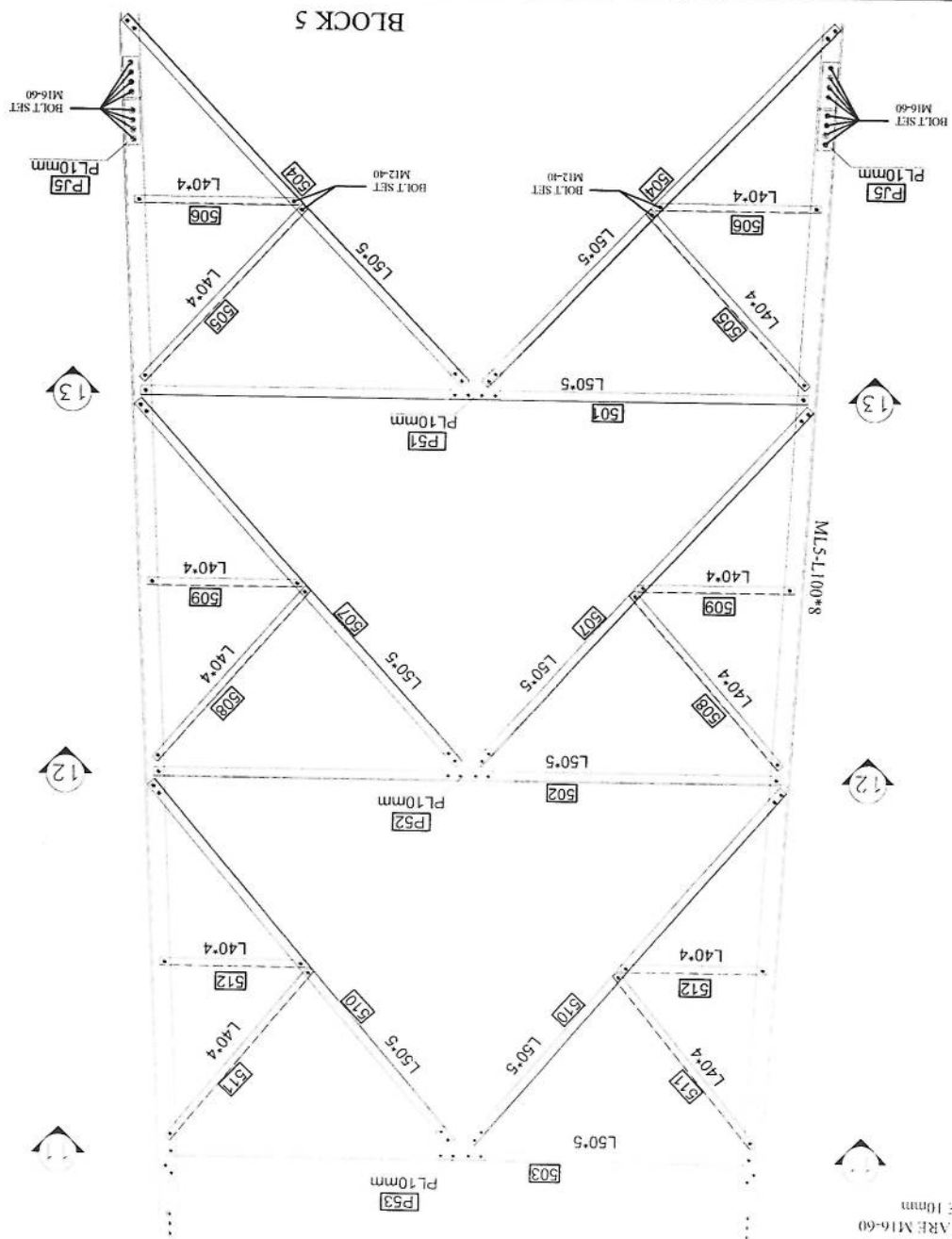
DESIGN AND MANUFACTURER: DAKALAZAN KALAN CO.

SCALE: FORMAT: A1

DESIGN STAGE: DETAIL DESIGN

REV: DESIGN CHECK APPROV DATE

1 OF 20

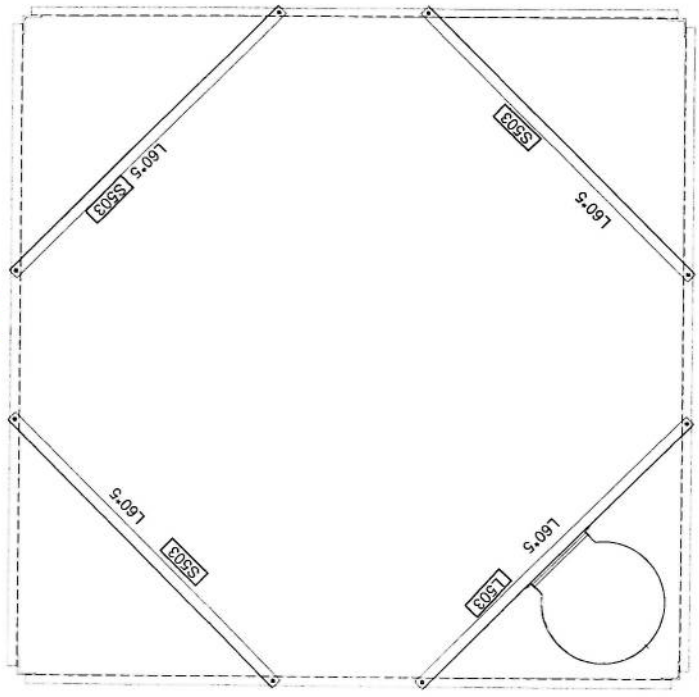


NOTE:
 1 ALL BOLT SET IN BRACING ARE M12-40
 2 ALL BOLT SET IN MAIN LEGS AND JOINT ARE M16-60
 3 ALL PLATE AND JOINT PLATE ARE PLATE 10mm

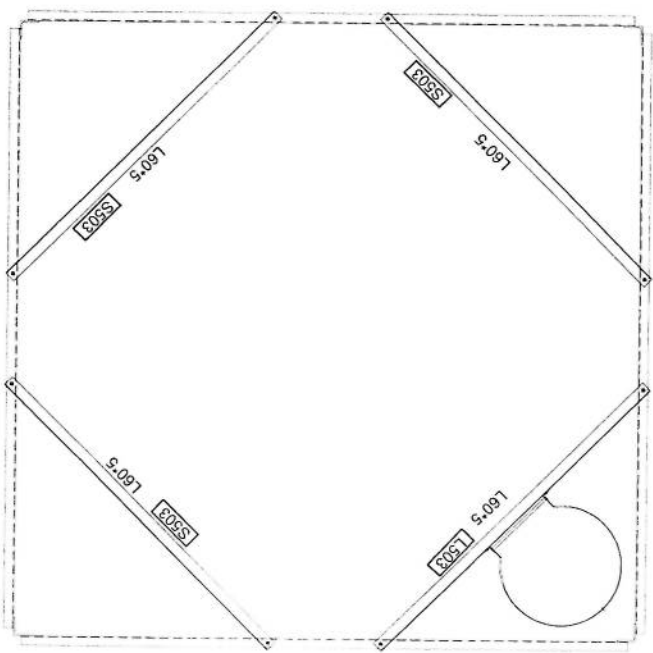
REV	0	1 OF 20
DATE	01/07/2014	
SCALE	1:1	
STATE	DAKHLAZAN	
DESIGN AND MANUFACTURE	DAKHLAZAN BALKAN CO.	
CONTRACTOR	SUTRAN MANSOUR	
APPROVAL DRAWING	FOR TOWER TYPE 40-160-EPA10(AK1-40m)	
CLIENT	AFGHAN TELECOM	
DATE		
APP		
CHK		
APP		
CHK		
APP		
CHK		

[Handwritten signature]

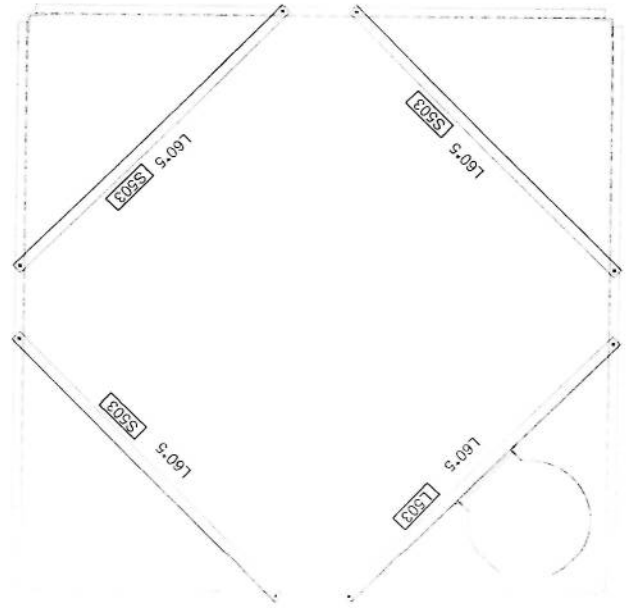
SECTION 13-13



SECTION 12-12



SECTION 11-11



A B C D E F G

1

2

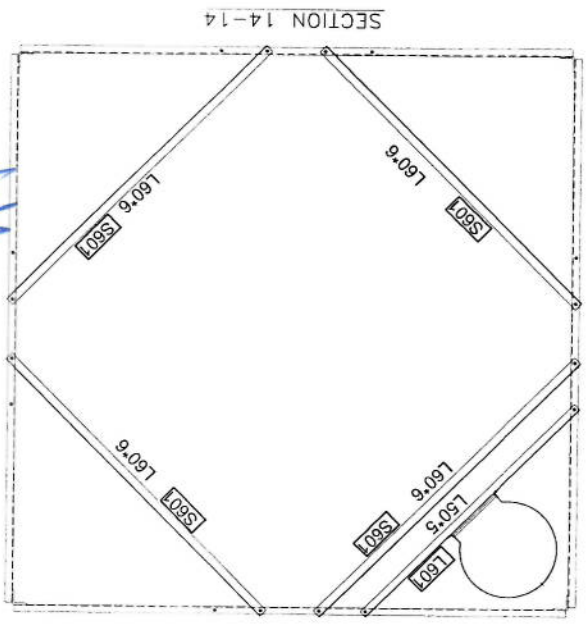
3

4

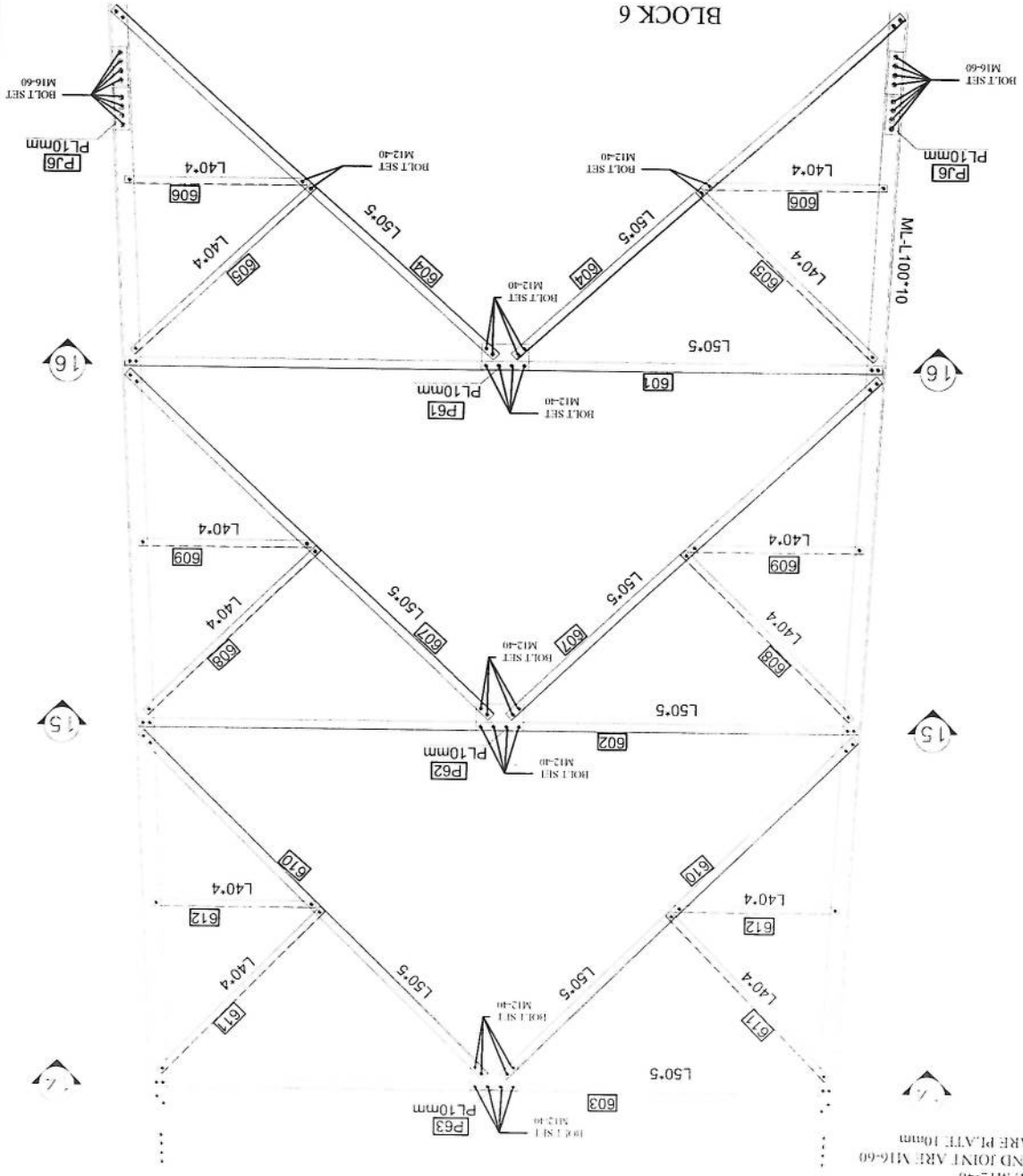
5

SCALE:	FORMAT: A1	DESIGN STAGE: DETAIL DESIGN
DARAKSAZAN DRG. NO.:	REV.:	SH. / TOTAL:
 		
DARAKSAZAN KALAN CO. DESIGN AND MANUFACTURER		
		
CONTRACTOR		
FOR TOWER TYPE 40-160-EPA10(AK1-40m) PANEL 4		
APPROVAL DRAWING		
AFGHAN TELECOM		
CLIENT:		
NO.	REVISION	DATE
2		

Handwritten signature in blue ink.



BLOCK 6



NOTE:
 1. ALL BOLT SET IN BRACING ARE M12-40
 2. ALL BOLT SET IN MAIN LEGS AND JOINT ARE M16-60
 3. ALL PLATE AND JOINT PLATE ARE PLATE 10mm

A
B
C
D
E
F
G

1
2
3
4
5

0 1 OF 20

SCALE: 1:50

DESIGN AND MANUFACTURER: DANANISAZAN KALAN CO.

CONTRACTOR: SUJUAN WYSCOM

TITLE: APPROVAL DRAWING FOR TOWER TYPE 40-160-EPA10(AK1-40m) PANEL 4

CLIENT: AFGHAN TELECOM

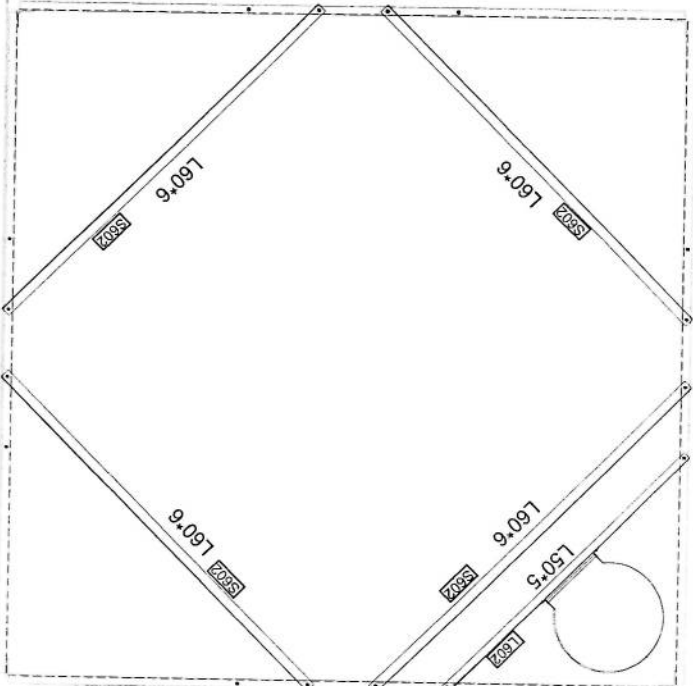
DATE: 15/07/2011

DESIGNER: [Signature]

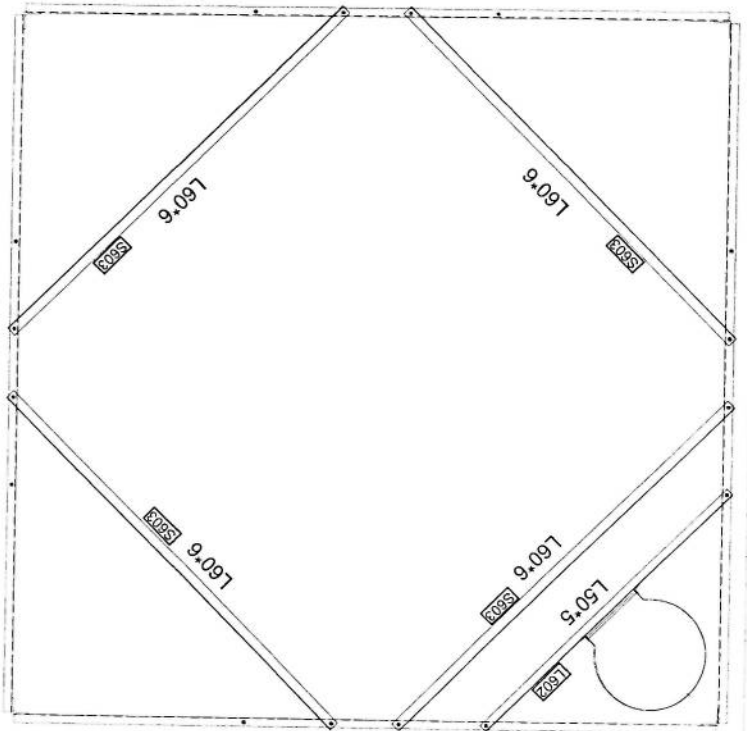
APPROVED: [Signature]

[Handwritten signature]

SECTION 15-15



SECTION 16-16



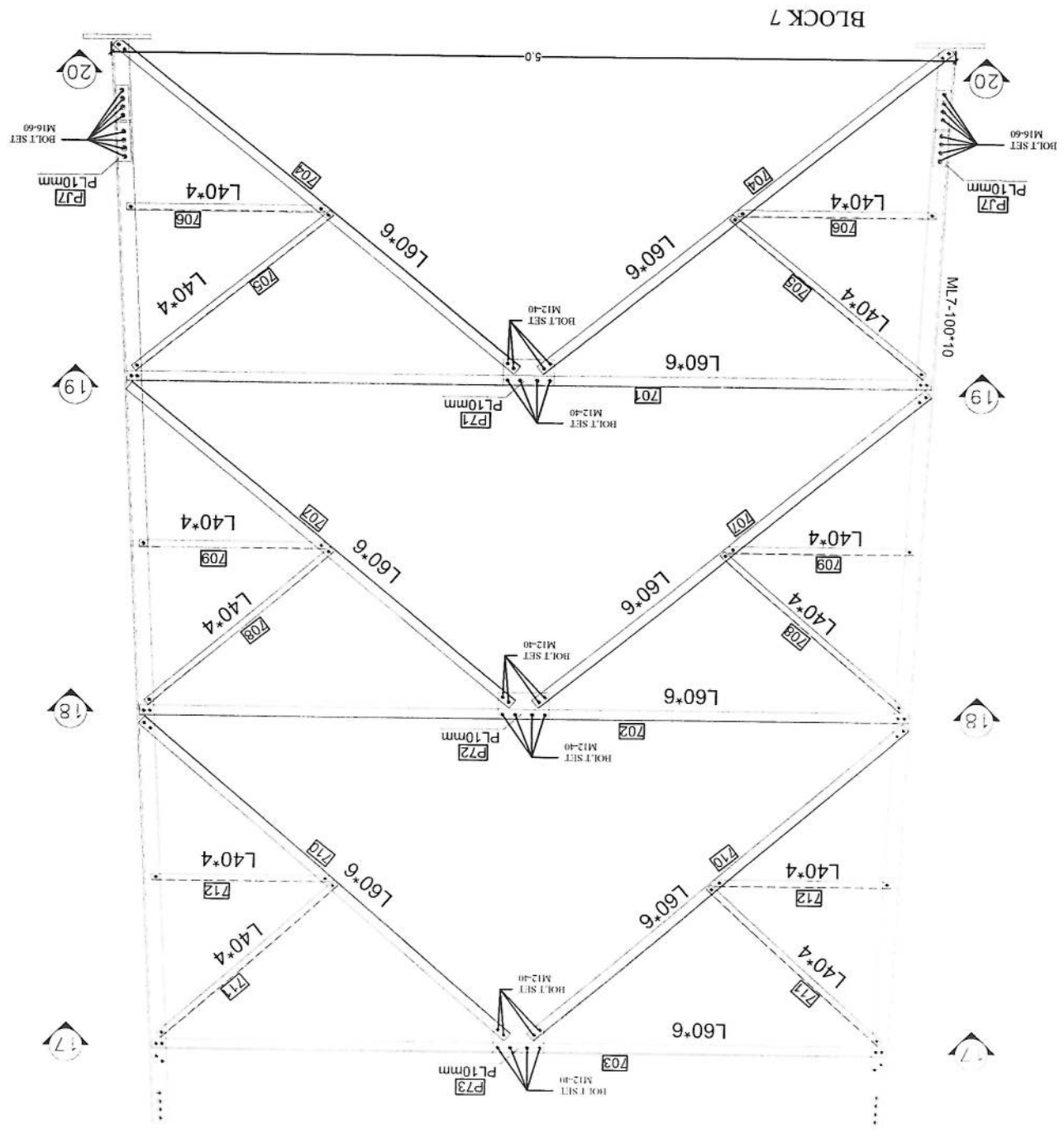
Block	Mark	Description	Length	WEIGHT	Qty	Total Weight
BL6	M1.6	L100X10	6.005	92.282438	4	369.129752
BL6	601	L50X5	4.205	16.1551895	4	64.620758
BL6	602	L50X5	3.999	15.3637581	4	61.4550324
BL6	603	L50X5	3.793	14.5723267	4	58.2893068
BL6	604	L50X5	2.856	10.9724664	8	87.7797312
BL6	605	L40X4	1.342	3.3036014	8	26.4288112
BL6	606	L40X4	0.954	2.3484618	8	18.7876944
BL6	607	L50X5	2.781	10.6843239	8	85.4745912
BL6	608	L40X4	1.306	3.2149802	8	25.7198416
BL6	609	L40X4	0.906	2.303002	8	17.8424016
BL6	610	L50X5	2.708	10.4038652	8	83.2309216
BL6	611	L40X4	1.271	3.1288207	8	25.0305656
BL6	612	L40X4	0.858	2.1121386	8	16.8971088
BL6	L601	L50X5	2	7.6838	1	7.6838
BL6	L602	L50X5	1.999	7.6799581	2	15.3599162
BL6	S601	L60X6	2.434	13.4626974	4	53.8507896
BL6	S602	L60X6	2.578	14.2591758	4	57.0367032
BL6	S603	L60X6	2.724	15.0667164	4	60.2668656
BL6	P61	P1300*200*10	1	4.8513	4	19.4052
BL6	P62	P1300*200*10	1	4.8513	4	19.4052
BL6	P63	P1300*200*10	1	4.8513	4	19.4052
BL6	P6	P1420*90*10	1	3.0591	8	24.4728
BL6	M6	L80X7	0.42	3.638166	4	14.552664
BL6	Bolt Set	M16-60	1	0.16274	64	10.41536
BL6	Bolt Set	M12-40	1	0.06798	318	21.61764
BL6	Washer		1	0.008446	382	3.226372
					TOTAL WEIGHT	1267.39 Kg

NOTE: 1. ALL BOLT SET IN BRACING ARE M12.40
2. ALL BOLT SET IN MAIN LEGS AND JOINT ARE M16.60
3. ALL PLATE AND JOINT W/ ARE PLATE 10mm

REV	DATE	BY	CHKD	APPD	DATE
1	01.20				
CLIENT: AFGHAN TELECOM TITLE: APPROVAL DRAWING FOR TOWER TYPE 40-160-EPA10(AK1-40m) PANEL 4 CONTRACTOR: SURTAN MYSOOM DESIGN AND MANUFACTURER: DAKASAZAN KALAN CO. SCALE: DRAWING: DETAIL DESIGN PROJECT NO: DAKASAZAN DMS NO.					

PROFILES GRADE LEGEND
 1-L = ST37
 2-ML = ST50
 3-HT = ST52
 4-ALL JOINT PLATES ARE ST52

Handwritten signature



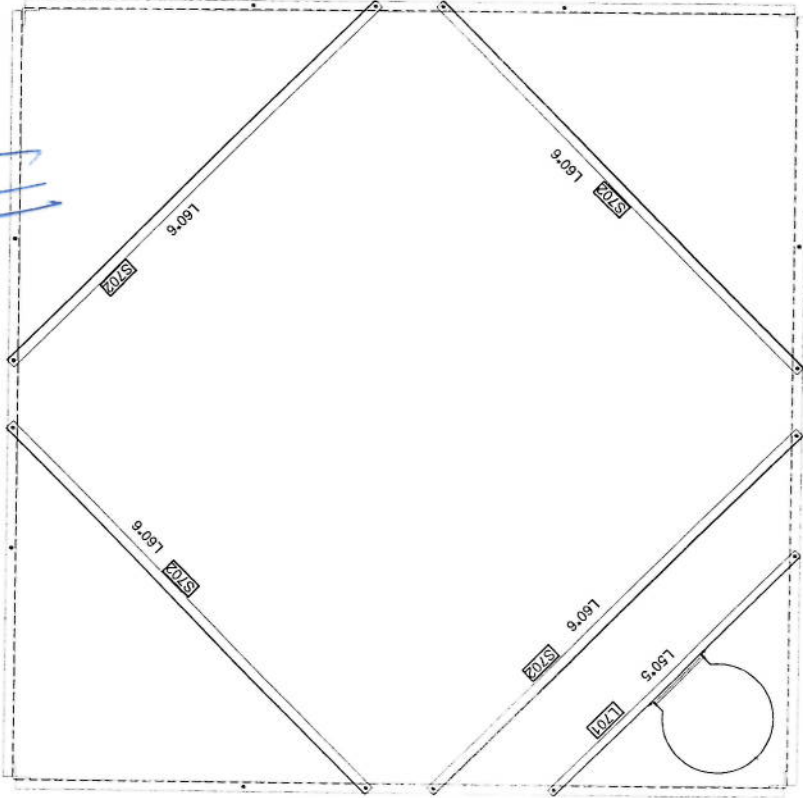
NOTE:
 1 ALL BOLT SET IN BRACING ARE M12-40
 2 ALL BOLT SET IN MAIN LEGS AND JOINT ARE M16-60
 3 ALL PLATE AND JOINT PLATE ARE PLATE 10mm

1
2
3
4
5

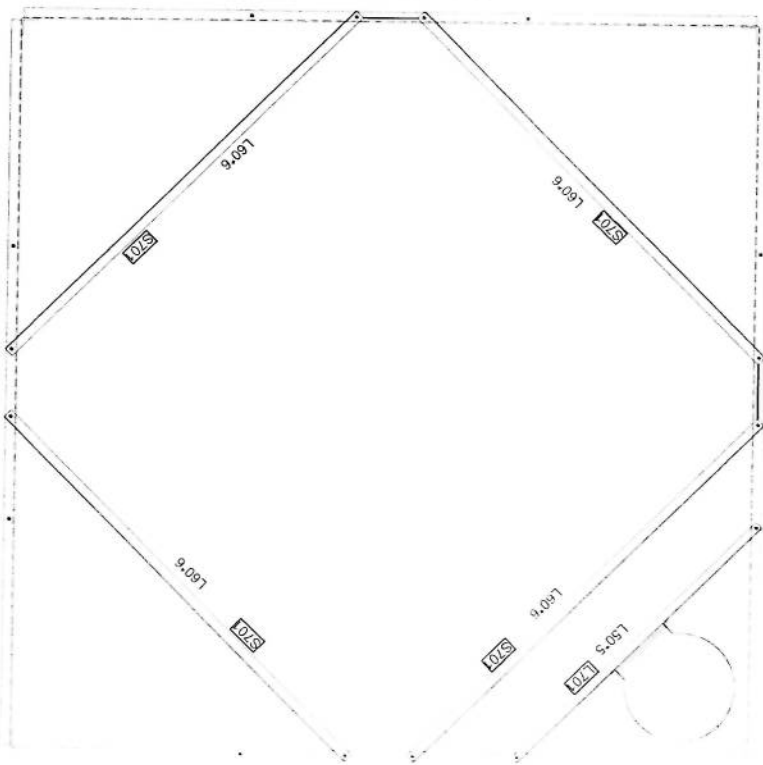
SCALE	1:50
DESIGN STAGE	FINAL DESIGN
DESIGNER	SH. / 1917A
DESIGN AND MANUFACTURER	 
CONTRACT	SULTAN MYSOOM
FOR TOWER TYPE	40-160-EPA10(AK1-40m)
PANEL	2
APPROVAL DRAWING	
CLIENT	AFGHAN TELECOM
DATE	
NO.	
REV.	
DATE	

Handwritten signature in blue ink.

SECTION 18-18



SECTION 17-17

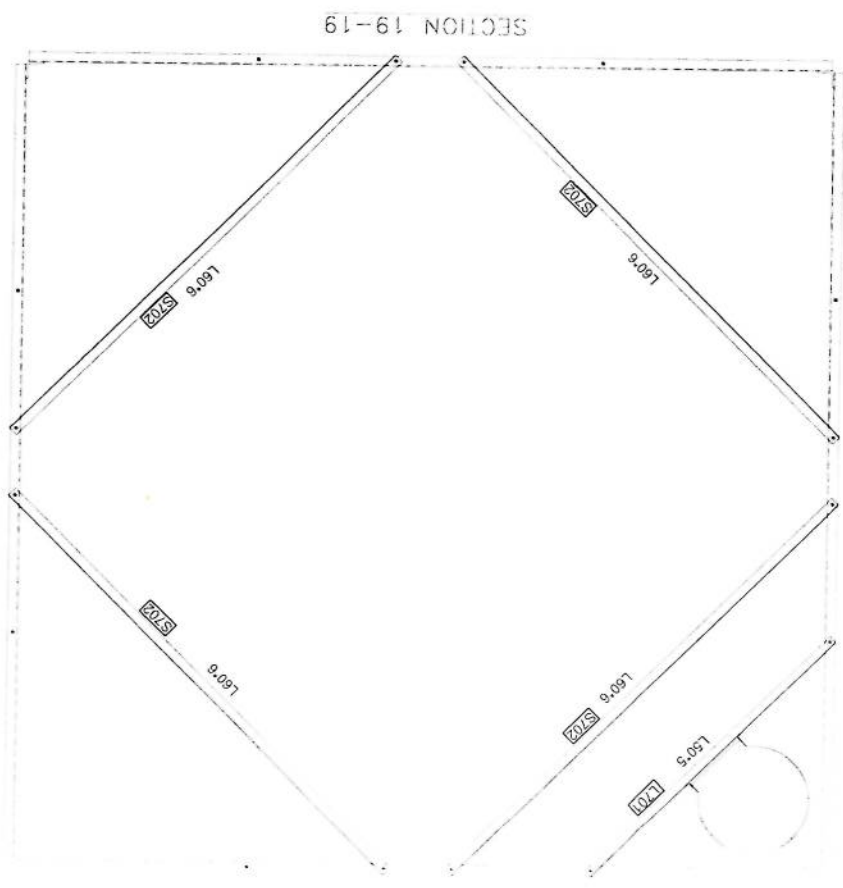


A B C D E F G

SCALE	DESIGN NO.	DATE
DESIGN AND MANUFACTURER	DESIGNER	DATE
CONTRACTOR	CHECKER	DATE
TITLE	APPROVAL DRAWING	
CLIENT	AFGHAN TELECOM	
PROJECT NAME	FOR TOWER TYPE 40-160-EPA10(AK1-43m)	
PROJECT NO.	PANEL 2	
DESIGN NO.		
CHECKER		
DATE		

Handwritten signature in blue ink.

Block	Mark	Description	Length	WEIGHT	Qty	Total Weight
BL7	ML 7	L100X10	5.5	84.5218	4	338.0872
BL7	W01	L60X6	4.781	26.4441891	4	105.7767564
BL7	W02	L60X6	4.595	25.4154045	4	101.661618
BL7	W03	L60X6	4.41	24.392151	4	97.568604
BL7	W04	L60X6	2.962	16.3831182	8	131.0649456
BL7	W05	L40X4	1.403	3.4537651	8	27.6301208
BL7	W06	L40X4	1.072	2.6389424	8	21.115392
BL7	W07	L60X6	2.855	15.7912905	8	126.330324
BL7	W08	L40X4	1.348	3.3183716	8	26.5469728
BL7	W09	L40X4	1.028	2.5306276	8	20.2450208
BL7	W10	L60X6	2.779	15.3709269	8	122.9674152
BL7	W11	L40X4	1.315	3.2371355	8	25.897084
BL7	W12	L40X4	0.985	2.4247745	8	19.398196
BL7	L701	L50X5	2	7.6838	3	23.0514
BL7	S701	L60X6	2.876	15.9074436	4	63.6297744
BL7	P71	P1300*175*10	1	4.2436	4	132.7464
BL7	P72	P1300*175*10	1	4.2436	4	16.9744
BL7	P73	P1300*175*10	1	4.2436	4	16.9744
BL7	PJ7	PL420*90*10	1	3.0591	8	24.4728
BL7	MJ7	L80X7	0.42	3.638166	4	14.552664
BL7	Bolt Set	M16-60	1	0.16274	64	10.41536
BL7	Bolt Set	M12-40	1	0.06798	318	21.61764
BL7	Washer		1	0.008446	382	3.226372
						1508.92 Kg



G
F
E
D
C
B
A

1 of 20

REV: 5H / TOTAL

SCALE: []

DESIGN AND MANUFACTURER: DAKATASAZAN KALAN CO.

CONTRACTOR: SUTAN MYROOM

APPROVAL DRAWING FOR TOWER TYPE 40-160-EPA10(AK1-40m) PANEL 4

AFGHAN TELECOM

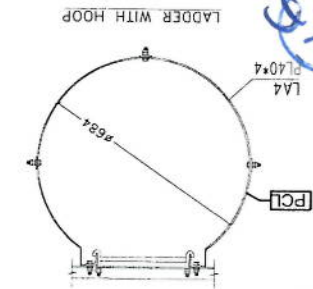
CLIENT: []

DATE: []

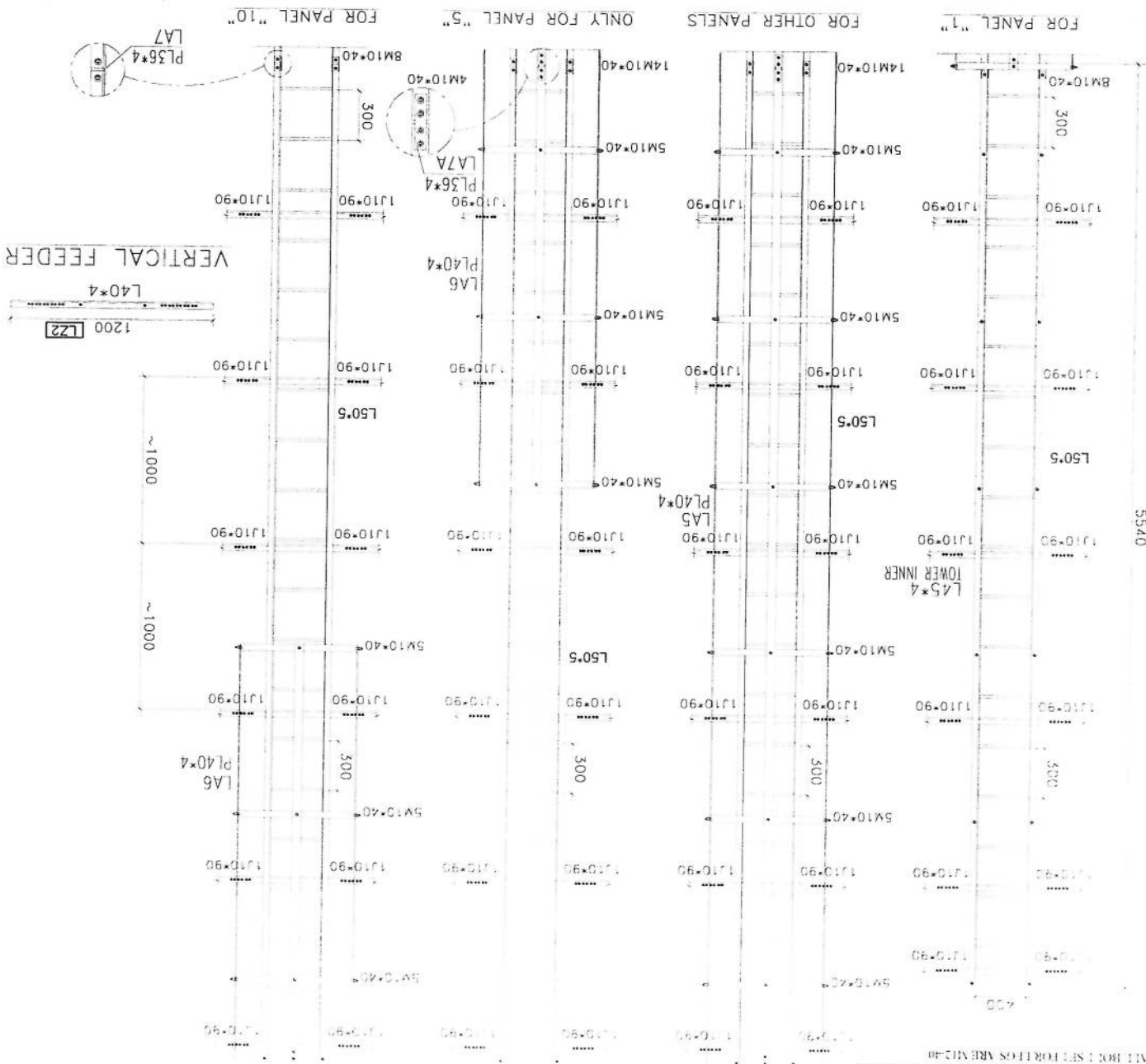
DESIGNER: []

CHECKER: []

DATE: []

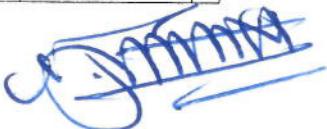


Block	Mark	Description	Length	WEIGHT	Qty	Total Weight
Ladder	PCL	PL40x4	1.875	2.433375	29	70.567875
Ladder	PL6	PL40x4	5.868	7.6154904	3	22.846477
Ladder	PL5	PL40x4	5.996	7.7816088	3	23.3448264
Ladder	PL4	PL40x4	4.168	5.4092304	3	16.2276912
Ladder	PL3	PL40x4	5.603	7.2715734	3	21.8147702
Ladder	PL2	PL40x4	1.448	1.8792144	3	5.6376432
Ladder	PL1	PL40x4	4.05	5.25609	3	15.76827
Ladder	LL7	L50x5	5.995	23.0321905	2	46.064381
Ladder	LL6	L50x5	5.995	23.0321905	2	46.064381
Ladder	LL5	L50x5	5.995	23.0321905	2	46.064381
Ladder	LL4	L50x5	5.997	23.0398743	2	46.0797486
Ladder	LL3	L50x5	5.997	23.0398743	2	46.0797486
Ladder	LL2	L50x5	2.998	11.5180162	2	23.0360324
Ladder	LL1	L50x5	6.048	23.235112	2	46.4716224
Ladder	L50X5	L50X5	0.57	2.189883	2	4.379766
Ladder	R00D	Φ 16	0.5	0.8137	134	109.0358
Ladder	JPP	PL184*40*8	0.4738	0.4738	9	4.2642
Ladder	JPL	PL105*40*8	0.2678	0.2678	24	6.4272
Ladder	LZ2	L40x4	1.2	2.9504	40	118.1616
Ladder	J BOLT SET	Φ 10	0.1	0.0686	80	5.1088
Ladder	BOLT SET	M10-30	1	0.05974	150	8.961
Ladder	BOLT SET	M12-40	1	0.06798	84	5.71032
Ladder	Washer		1	0.008446	234	1.976364
						740.09 Kg

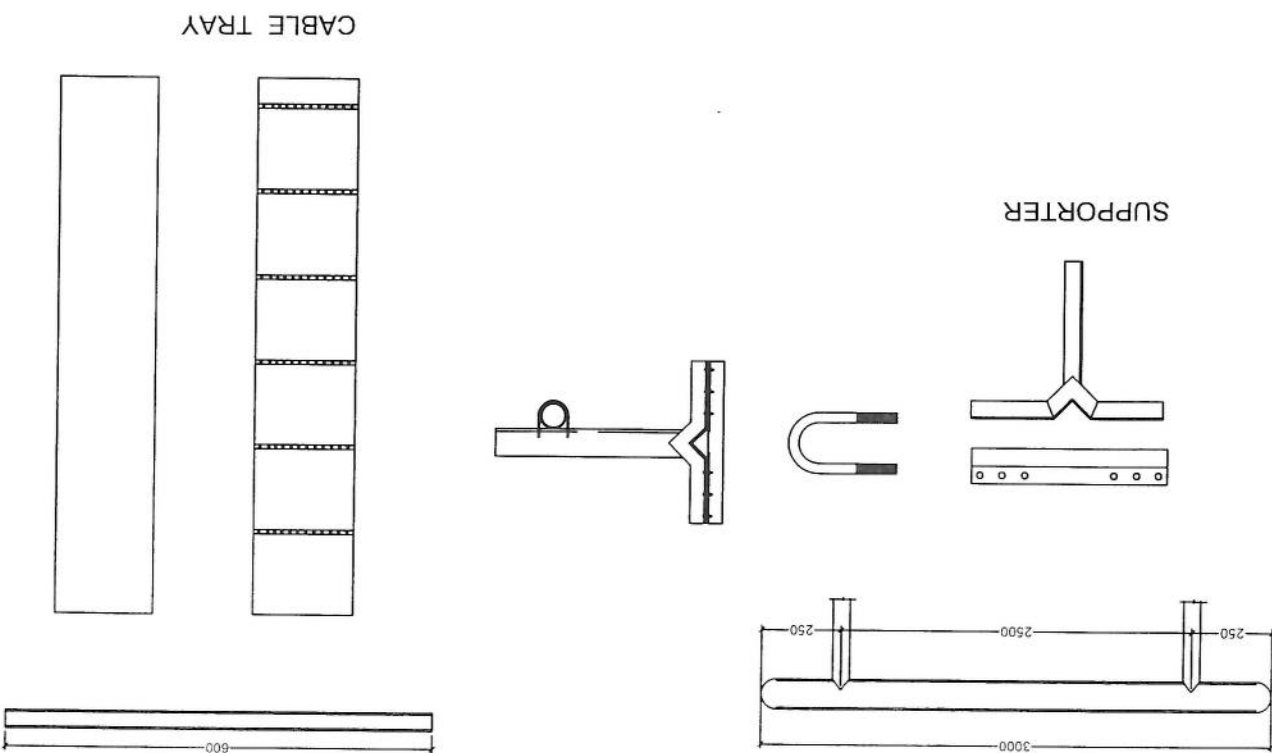


A B C D E F G

REV: 0	SH. / TOTAL: 1 OF: 20	
SCALE: DAKALSAZAN DWG NO: --		
FORMAT: A1 DESIGN STAGE: DETAIL DESIGN		
		
DESIGN AND MANUFACTURER:		
CONTRACTOR:		
TITLE: APPROVAL DRAWING FOR TOWER TYPE 40-160-EPA10(AK1-40m) PANEL 4		
CLIENT: AFGHAN TELECOM		
REV	DESCRIPTION	DATE
2	FIRST ISSUE	---
1	APPV	---
1	CHK	---
1	DESIGN	---



Sr.No	Block	Mark	Description	Length	WEIGHT	Qty	Total Weight
1	SUPPORT		(60X3)MM PIPE	3	13.0398	3	39.1194
2	SUPPORT		(60X3)MM PIPE	0.6	2.60796	2	5.21592
3	ANGLE	SL 1	L60X6	0.6	3.31866	3	9.95598
4	ANGLE	ANG	L60X6	0.45	2.488995	20	49.7799
5	ANGLE	ANG	L60X6	0.5	2.76555	5	13.82775
6	PIPE	PIPE	(27X2.6)MM PIPE	1.6	3.98816	5	19.9408
7	ANGLE	ANGLE	L60X6	0.5	2.76555	5	13.82775
8	U BOLT	U B	ROD 12	0.3	0.27501	35	9.62535
							161.29 Kg



5

4

3

2

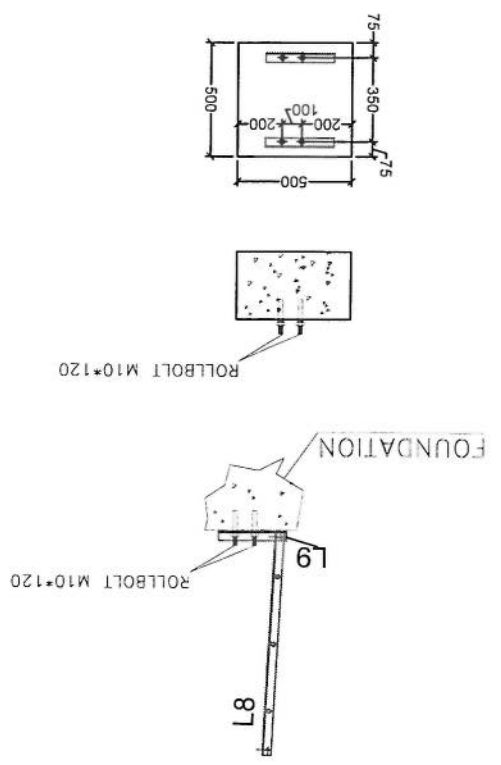
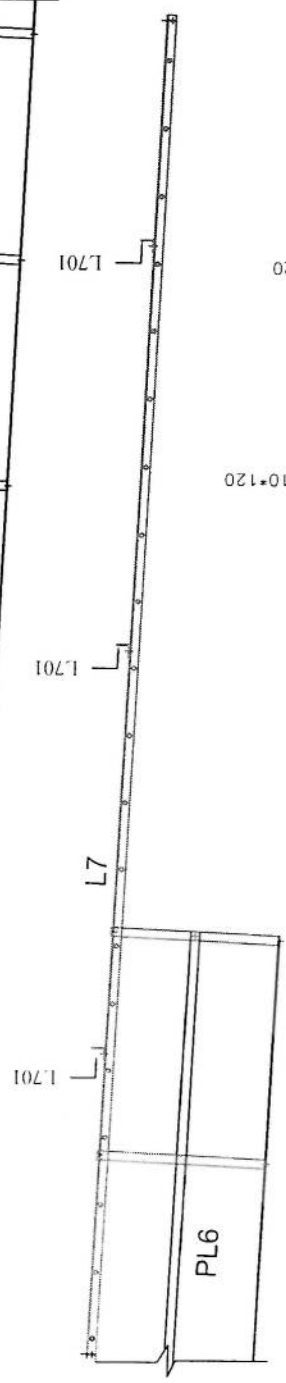
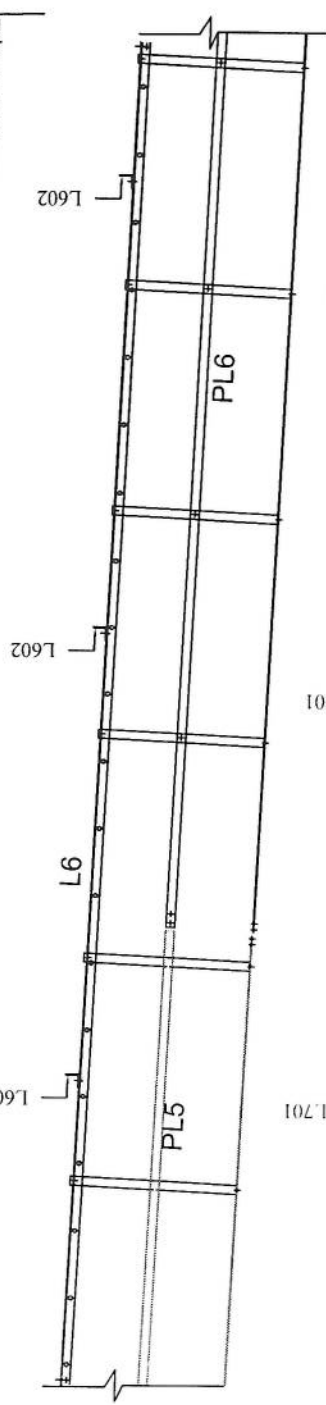
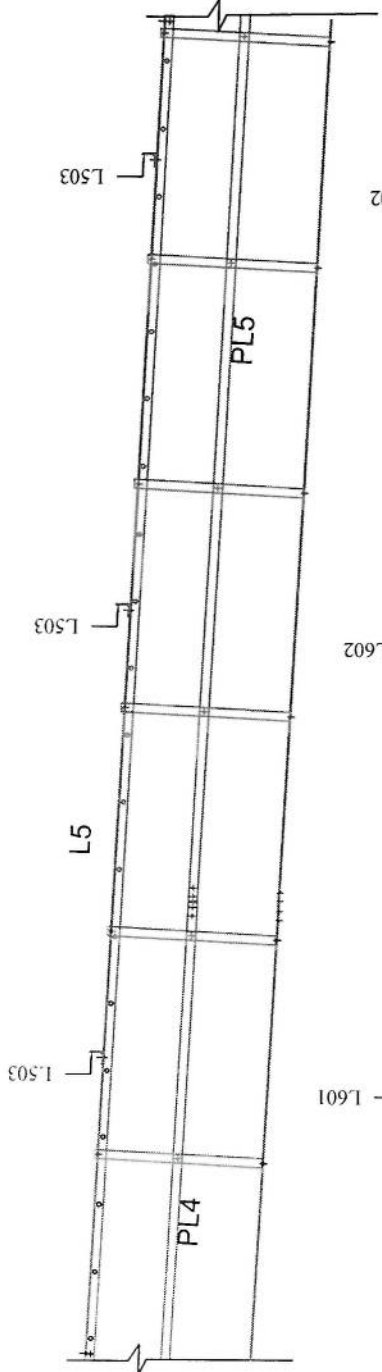
1

G
F
E
D
C
B
A

G
T
F
D
C
B
A

REV	DATE	BY	CHK	APP	DATE									
0	10/17/20													
1 OF 20														
DARULSAZAN DMD NO.														
SCALE: DRAWING AT DESIGN STAGE: 92% DESIGN														
  DARULSAZAN KALAN CO. DESIGN AND MANUFACTURER														
CONTRACTOR  SULTAN MYZOOM ENGINEERING & CONSULTING SERVICES														
CLIENT: AFGHAN TELECOM														
TITLE: APPROVAL DRAWING FOR TOWER TYPE 40-160-EPA10(AK1-40m) PANEL 4														
REVISIONS: <table border="1"> <thead> <tr> <th>NO.</th> <th>DESCRIPTION</th> <th>DATE</th> </tr> </thead> <tbody> <tr> <td>1</td> <td></td> <td></td> </tr> <tr> <td>2</td> <td></td> <td></td> </tr> </tbody> </table>						NO.	DESCRIPTION	DATE	1			2		
NO.	DESCRIPTION	DATE												
1														
2														

Handwritten signature in blue ink.



5

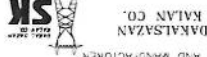


4

3

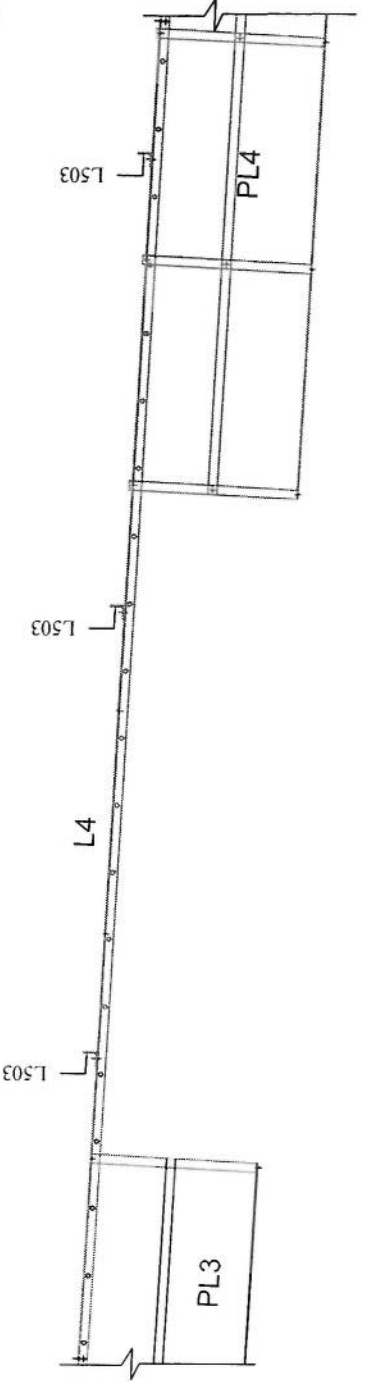
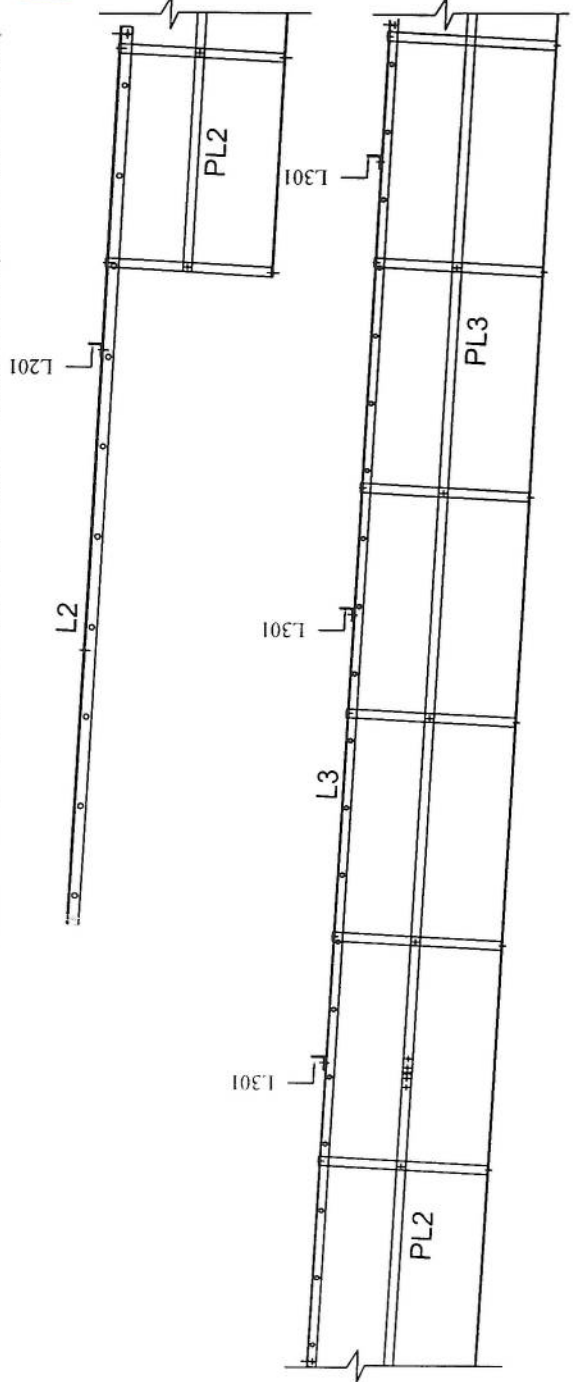
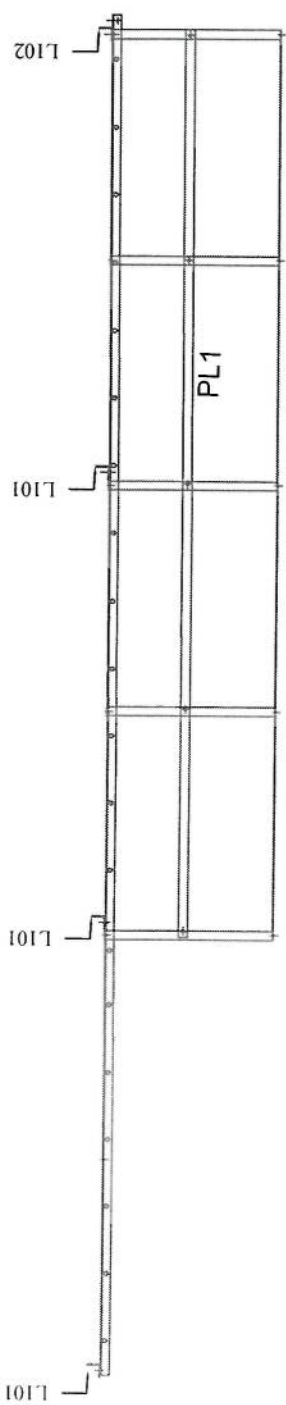
2

1

A B C D E F G

REV.	SH.	TOTAL
0	5	1
DATE: 10/20/10		
SCALE: 1:1		
FORMATS: AT		
DESIGN STAGE: DETAIL DESIGN		
DARAKATZAN DWS NO.:		
		
DESIGN AND MANUFACTURER:		
		
CONTRACTOR:		
APPROVAL DRAWING FOR TOWER TYPE 40-160-EPA10(AK1-40m) PANEL 4		
CLIENT: AFGHAN TELECOM 		
REV.	DESCRIPTION	DATE
2		
1		

Handwritten signature in blue ink.



5

4

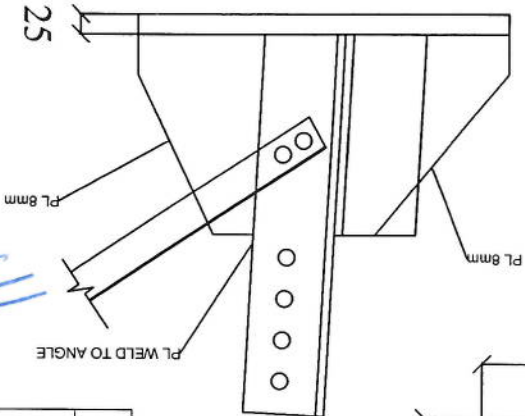
3

2

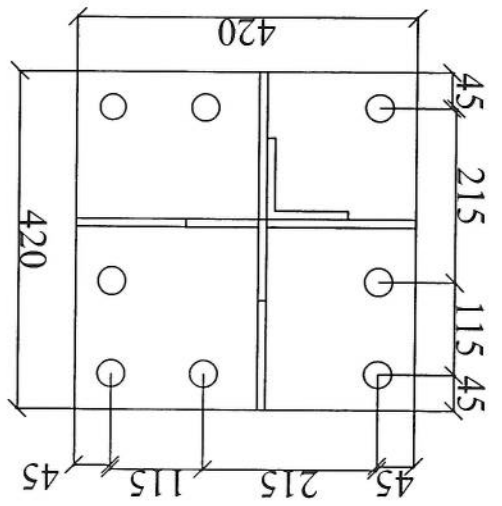
1

REV	SH. / TOTAL	0 / 1	0
DARAKSAZAN DWG NO:			
DATE: [] [] []			
FORMAT: A1			
DESIGN STAGE: DETAIL DESIGN			
DESIGN AND MANUFACTURER: DARAKSAZAN KAJAN CO.			
CONTRACTOR: SULTAN MYSOON			
TITLE: APPROVAL DRAWING FOR TOWER TYPE 40-160-EPA10(AK1-40m) PANEL 4			
CLIENT: AFGHAN TELECOM			
REV	DESCRIPTION	DATE	BY
2	FIRST ISSUE		
1	DESIGN		
0	CHECK		
	APPR		
	DATE		

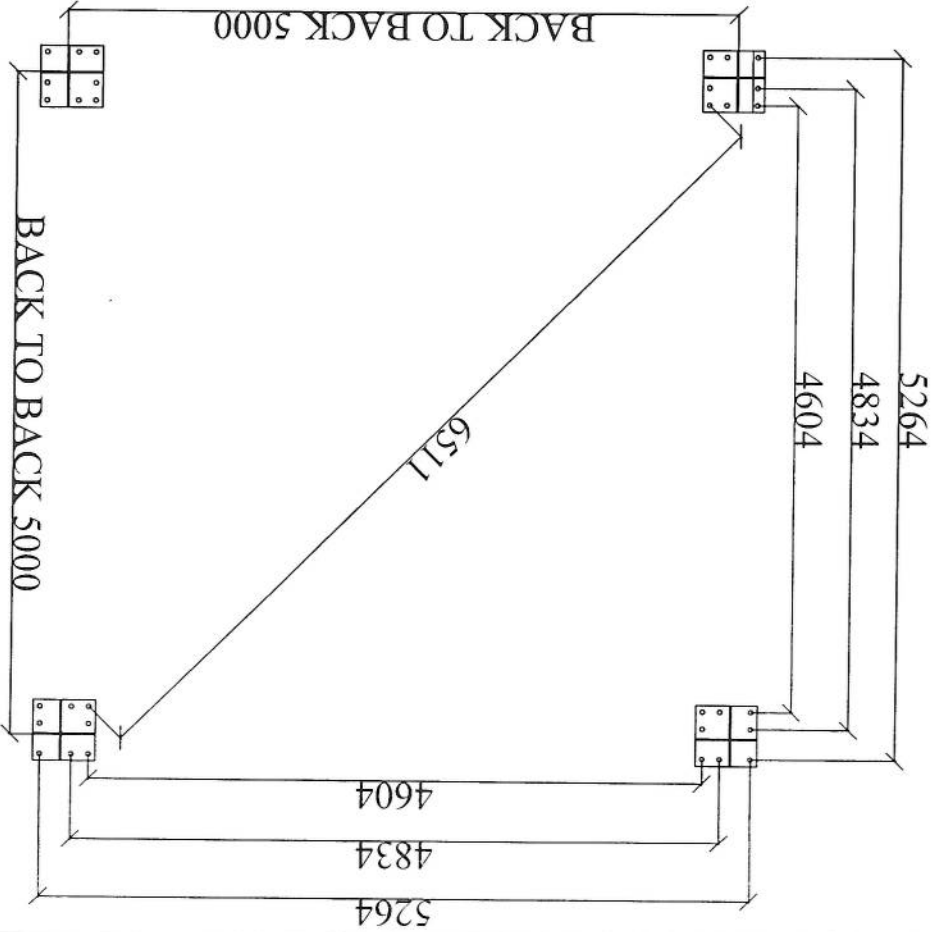
BASE PLATE SIDE VIEW



BASE PLATE



SECTION OF BASE PLATE



Block	Mark	Description	Length	WEIGHT	Qty	Total Weight
BASE	BS	PL 420X420X25	1	35.586	4	142.6344
BASE	STF	PL250*189*8	1	3.0591	2	6.1182
BASE	STF	PL250*130*8	1	2.1012	2	4.2024
BASE	ANGLE	L100X10	0.5	7.6838	4	30.7352
BASE	ANGLE	L100X10	0.25	3.8419	4	15.3676
BASE	ANCHOR BQ	φ 30	1.1	6.28815	32	201.2208
BASE	TEMPLATE	PL40X40X5	1	6.4684	4	25.8736
BASE	NUT30	NUT30	1	0.309	128	39.552
BASE	Cable Tray	GI SHEET 1.8 mm	1	58.71	1	58.71
Total weight						524.41KG

Handwritten signature and date: 20/03/06

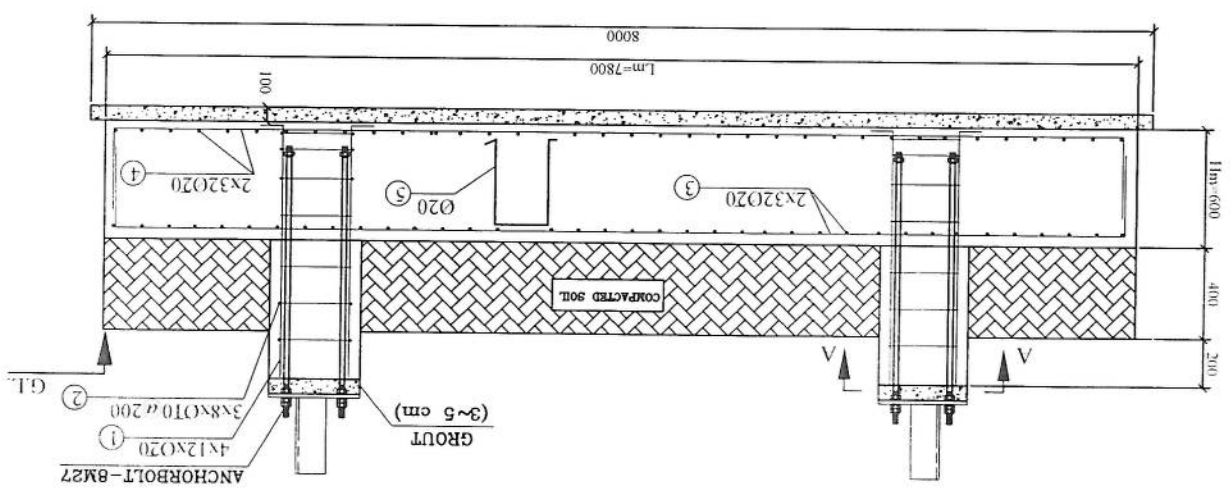
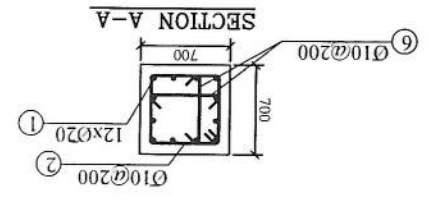
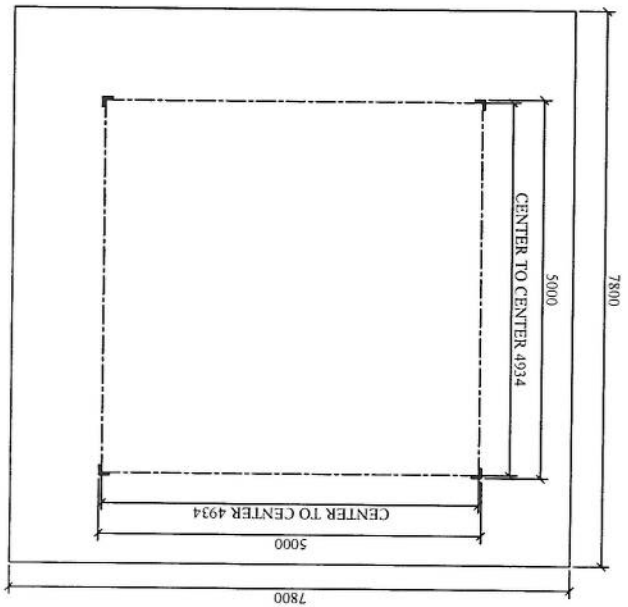
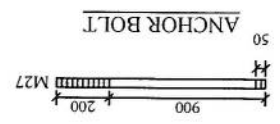
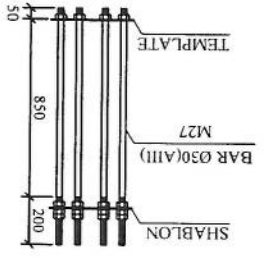
POS.	BENDING DIAGRAM	#	NO.	UNIT	UNIT	UNIT	UNIT	UNIT	UNIT	UNIT	UNIT	UNIT
					LENGTH	WEIGHT	LENGTH	WEIGHT	LENGTH	WEIGHT	LENGTH	WEIGHT
					m	kg	m	kg	m	kg	m	kg
1	30	105	20	12*4	1.35	64.8	2.47	160				
2	1-240 550	550	10	6*4	2.40	57.6	0.617	36				
3	30	765	20	32*2	8.25	528	2.47	1304				
4	30	765	20	32*2	8.25	528	2.47	1304				
5	30	45	20	58	1.80	104.4	2.47	258				
6	10	55	10	48	0.75	36	0.617	22				
CON. VOL. = 37.7m ³ TOTAL WEIGHT (kg) : 3084												

Handwritten signature

SOIL CHARAC: ALLOWABLE BEARING=1.0~2.0 KG/CM2 NORMAL
 BAR BENDING SCHEDULE (TYPE AIII - F_y=400kg/cm²)
 TYPE 7

NOTE:
 1- ALL DIMENSION ARE IN MM.
 EXCEPTION AS NOTED.
 2- F_c=210 Kg/cm² AFTER 28 DAYS ON CYLINDER SPEC.
 3- GRADE OF BARS:
 AIII FOR D<12mm
 AIII FOR D>12mm
 4- COVER ON BARS IS 75 mm.
 5- THICKNESS OF LEAN CONCRETE 10cm.

FOUNDATION PLAN



REVISION RECORDS		تغییرات	
REVISION NO	تغییرات شماره	DATE	تاریخ

LEGEND:	علامت: نماد: PCC
---------	------------------------

PROJECT TITLE / NO:	GSM SITES
	عنوان پروژه: سایت های GSM

DRAWING TITLE:	40m Tower Grounding System
	سیستم ارتداد برج 40 متری

DRAWN BY:	
CIVIL TEAM	

CHECKED BY:	
-------------	--

APPROVED BY:	
--------------	--

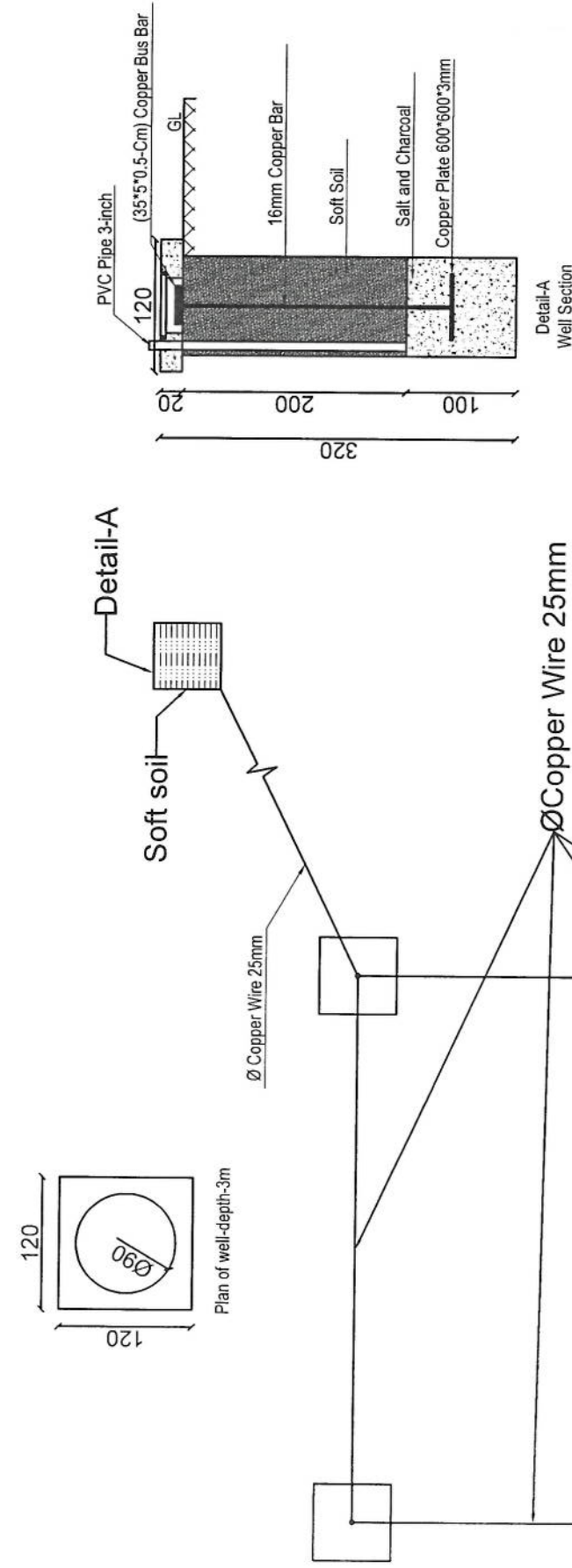
SCALE:	1/75
--------	------

ACTUAL DATE:	10/02/2025
ISSUE DATE:	

DRG.NO:	23
---------	----

OWNER:	AFGHAN TELECOM
--------	----------------

--	--



Item	Quantity	Dimension
Copper Rod	4	1m*Ø16mm
Copper Rod	1	2m*Ø16mm
Bus Bar	5	35cm*5cm*5mm
Copper Plate	1	60cm*60cm*3mm
Lightning Arrestor	1	1m
Ground Cable	60m	25mm
Uncovered Ground Cable	32m	25mm
Tower Light with photo cell	1	48V DC
Power Cable	50m	2*2mm


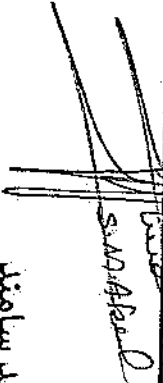


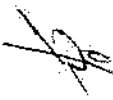
4#16mm Copper Rod under the Ground Length 100cm

[Handwritten signature]

سایت HRT061 توسعه و MW Repeater ولایت هرات مورد تأیید رهبری شرکت افغان تیلیکام

SN	SiteID	LAT	LONG	Province	District	Add	Site Service Type	Near End Site ID	Near End Site Distance	Near End Site Traffic 3G+4G (PS) GB Daily Base	Near End Site Traffic 2G+3G (CS) Erling Daily Base	Tower Type	Tower Height
1	HRT061	33.761507	63.461032	Herat	Farsi	Dara Khak	MW RPT	HRT172	4.38km	New TDF	New TDF	GF	40m

محمد هارون محمندی	سید محمد افضل افضلی	محمد جان روفی	حکمت الله ستانکزی	ولایت خان عطیعی
واری کدنه معاونیت عملیاتی بیسیم	رییس تحقیق بیسیم	آمر ترانسپنشن TX	آمر RF BSS	مدیر RF Optimization

یوهنیر علی احمد سامند
 رئیس عمومی شرکت افغان تیلی کام