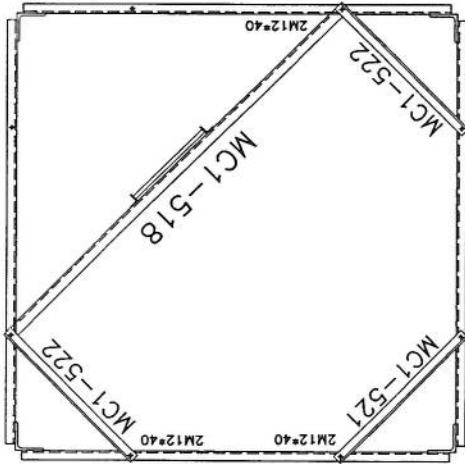


Project No.:		Scale: 1/11		Ref. No. 00		Sheet No. 5	
Tower Type: TOWER NB		Title: NB TOWER 30M PANEL 3					
Client: AFGHAN TELECOM		Project: AFGHAN TELECOM					
Rev.	Design	Drawn	Checked	Approved	Date	Description	
00	--	S. Shodih	--	A. Salehshour	10/15/24	--	
01	--	--	--	--	--	--	
02	--	--	--	--	--	--	

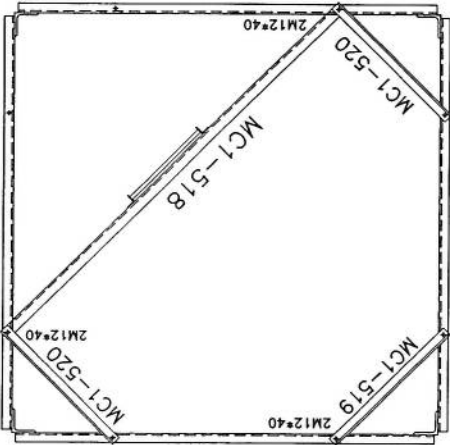


List Of Bolts - PANEL 5	
Specification	Qty
M12x40	194
M16x60	80

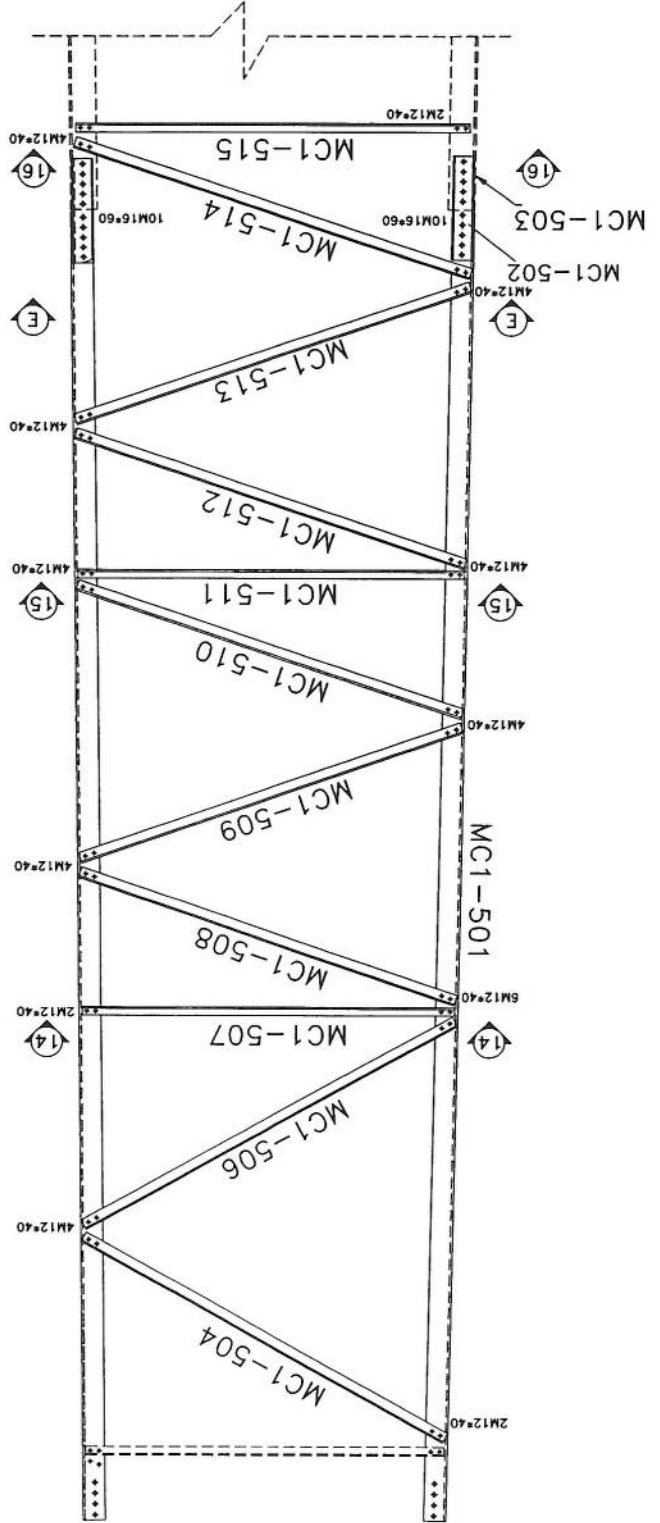
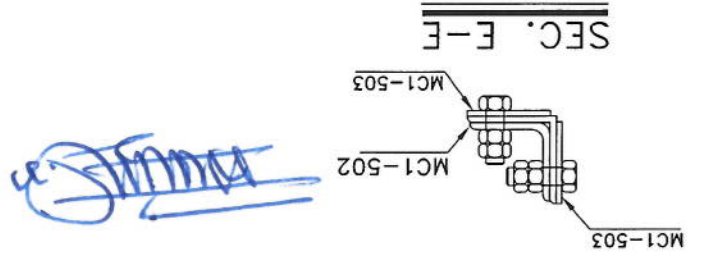
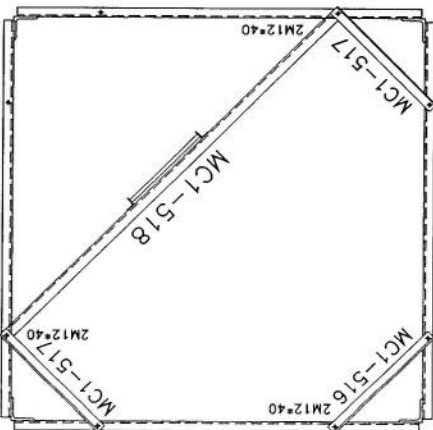
SEC. 16-16



SEC. 15-15



SEC. 14-14

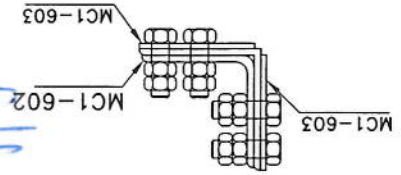


Project No.:		Scale: 1/11		Ref. No. 00		Sheet No. 6	
Tower Type: TOWER NB		Title: NB TOWER 30M PANEL 4					
Client:		Project: AFGHAN TELECOM					
Rev.:		Design	Drawn	Checked	Approved	Date	Description
02	--	--	S. Ghodiri	--	A. Solihour	10/13/24	--
01	--	--	--	--	--	--	--
00	--	--	--	--	--	--	--

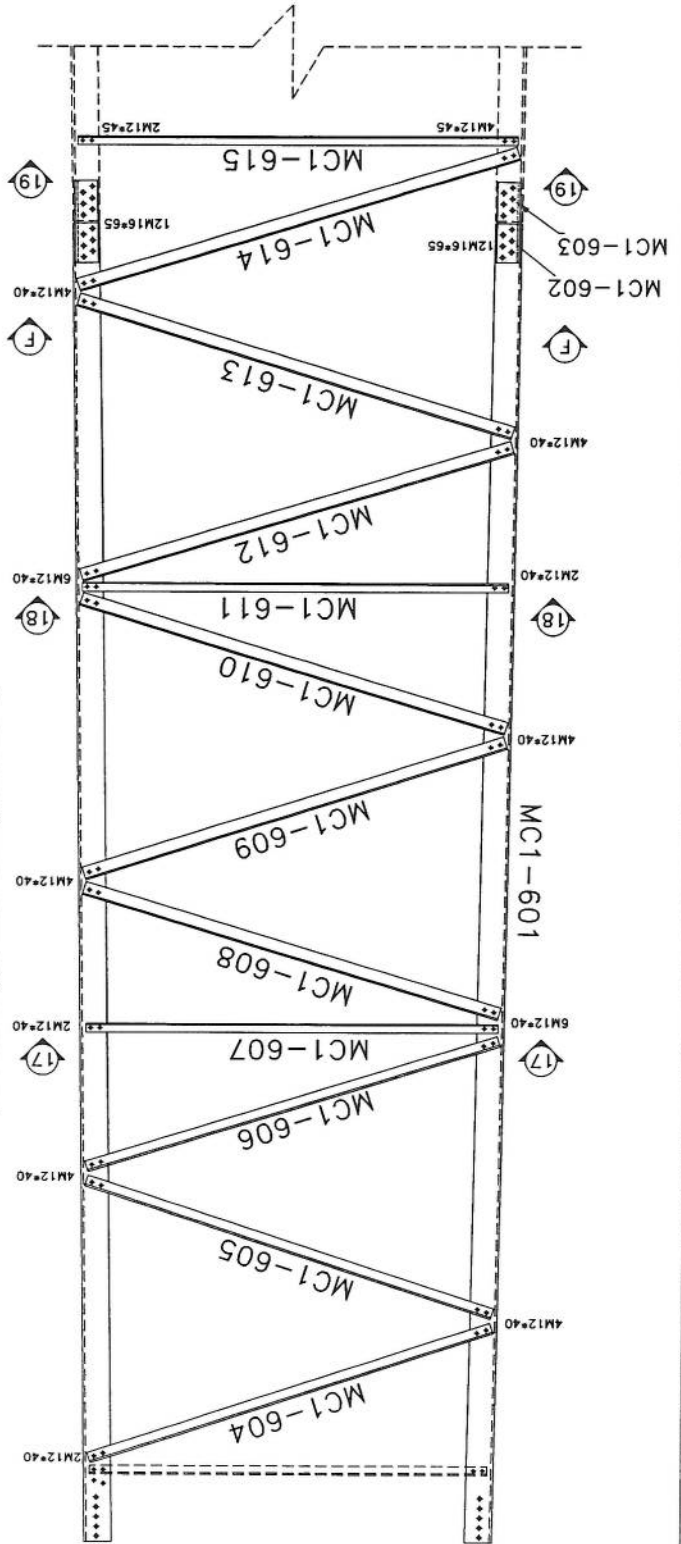
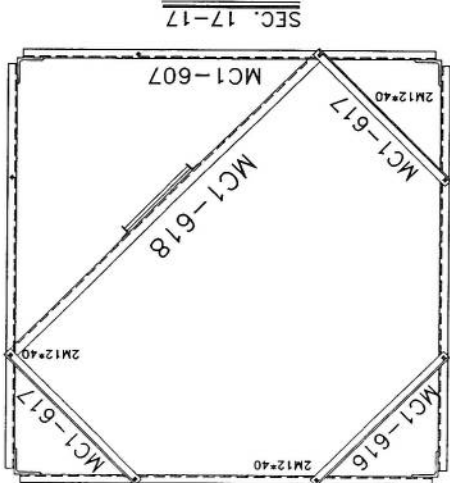
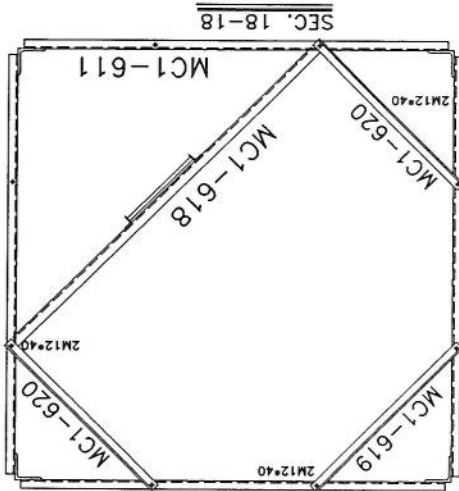
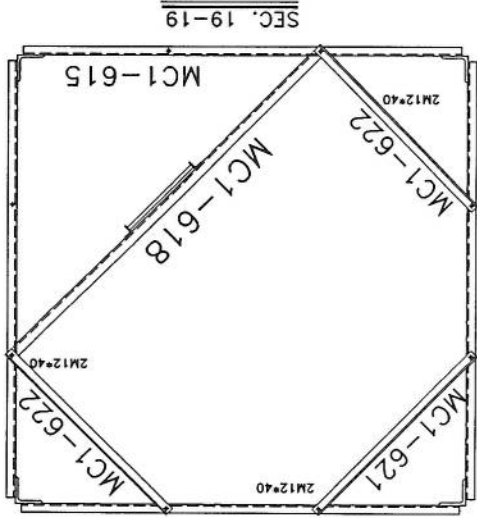


Handwritten signature in blue ink.

SEC. F-F



List Of Bolts - PANEL 6	Specification	Qty
M12*40	186	
M12*45	24	
M16*65	96	



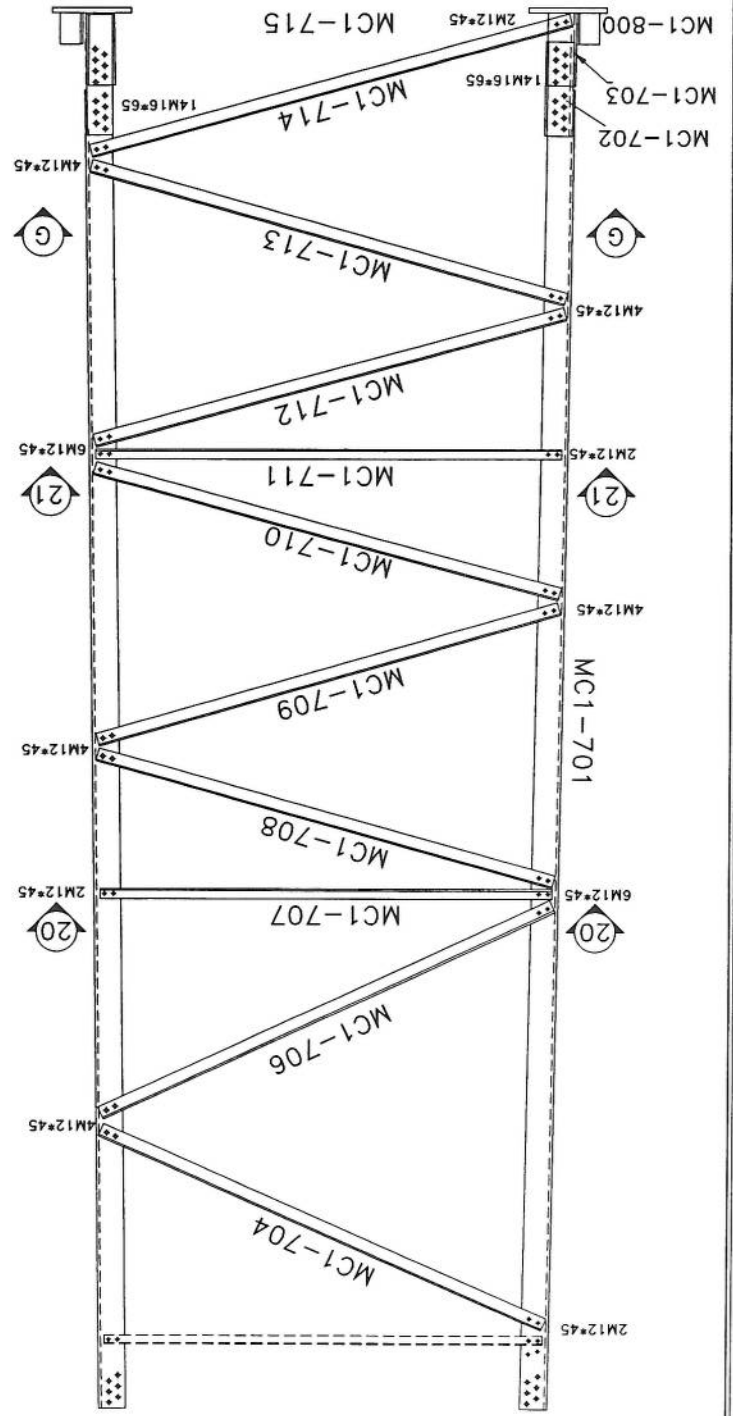
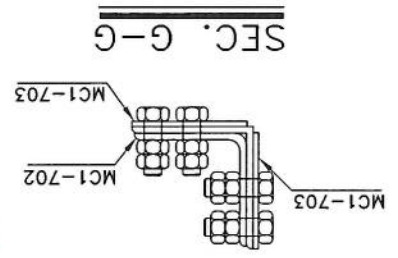
Project No.:		Scale: 1/11		Ref. No. 00		Sheet No. 5	
Tower Type: TOWER NB		Title: NB TOWER 30M PANEL 5					
Client:		Project: AFGHAN TELECOM					
Rev.		Design		Drawn		Checked	
00	---	S. Ghadiri	---	A. Solihshour	10/15/24	---	---
01	---	---	---	---	---	---	---
02	---	---	---	---	---	---	---

List Of Bolts - PANEL 7

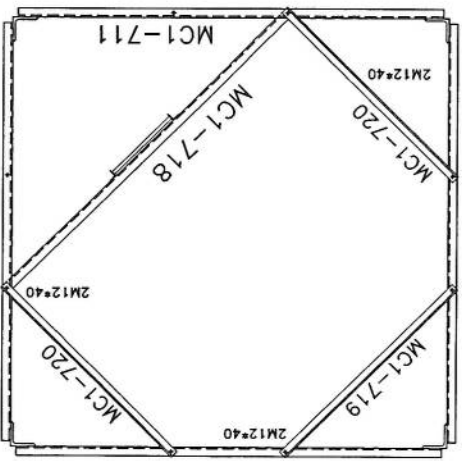
Specification	Qty
M12*40	18
M12*45	176
M16*65	112



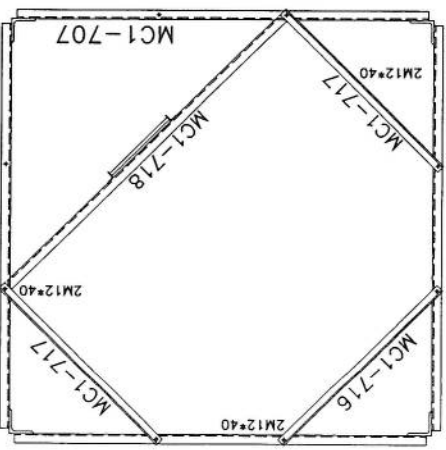
[Handwritten signature]



SEC. 21-21



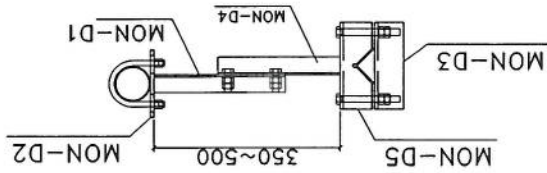
SEC. 20-20



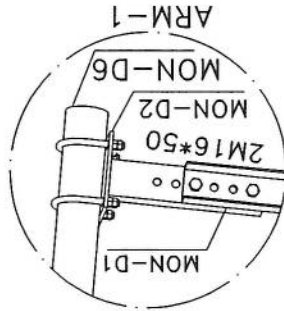
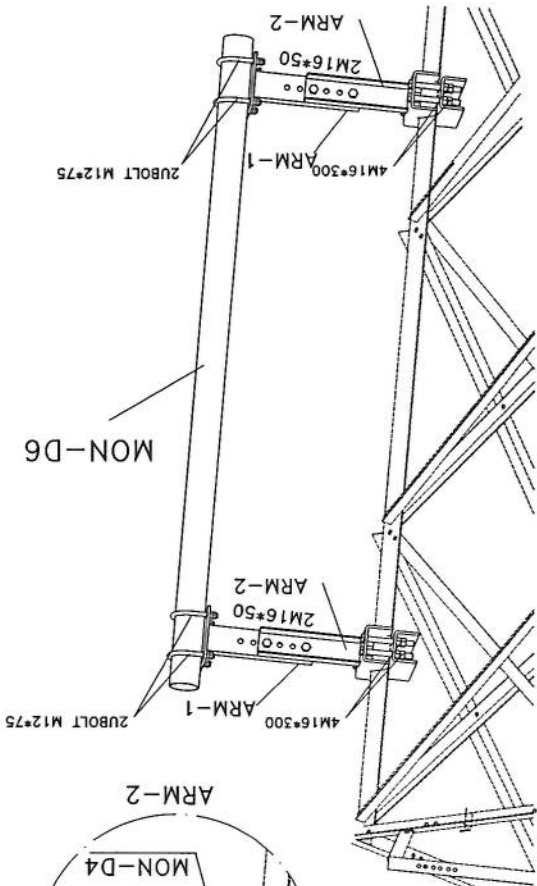
Project No.:		Tower Type: TOWER NB	
Scale: 1/11		Ref. No. 00	
Sheet No. 12		Project: AFGHAN TELECOM	
Title: NB TOWER 30M MOUNTING		Client:	
Rev.	Design	Checked	Approved
02	S. Ghodiri	---	A. Solohour
01	S. Ghodiri	---	A. Solohour
---	---	---	---
Description		Date	

Handwritten signature

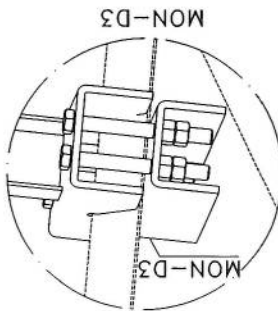
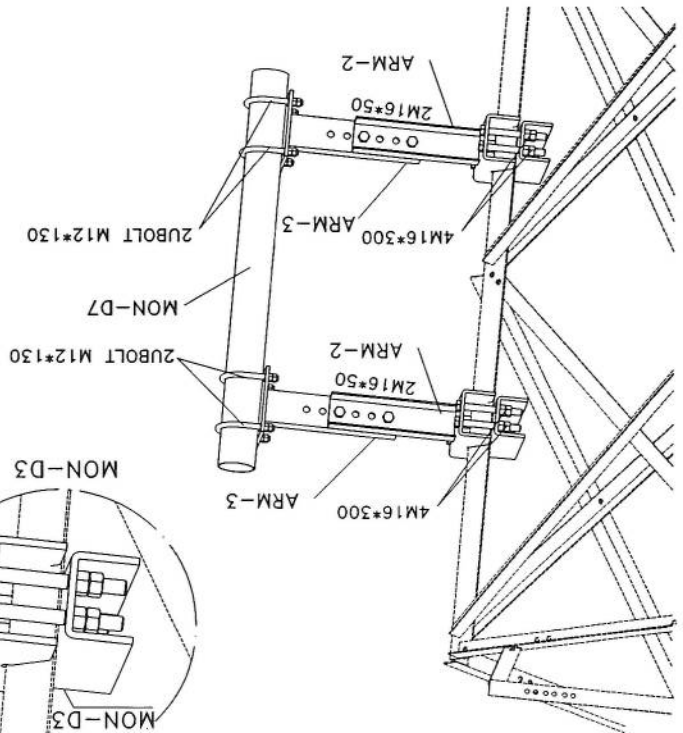
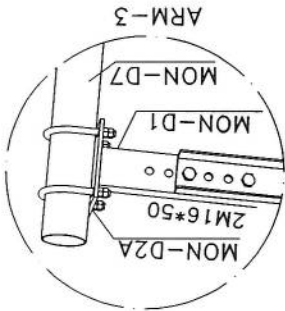
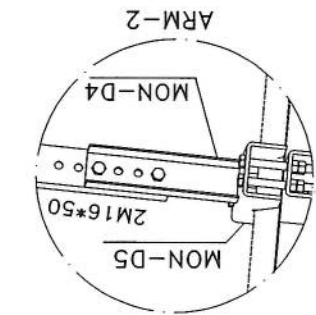
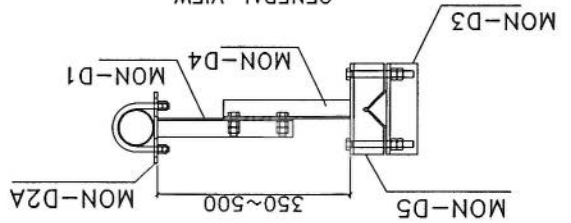
GENERAL VIEW




ASSEMBLY	POSITION	SIZE	QUANTITY
ARM-1	MON-D1	UNP80	2
ARM-2	MON-D2	PL8	2
	MON-D4	UNP80	2
ARM-2	MON-D5	PL8	2
	MON-D6	PIPE60*13	1
BOLT	M16*300	---	8
UBOLT	M12*130	---	4



GENERAL VIEW

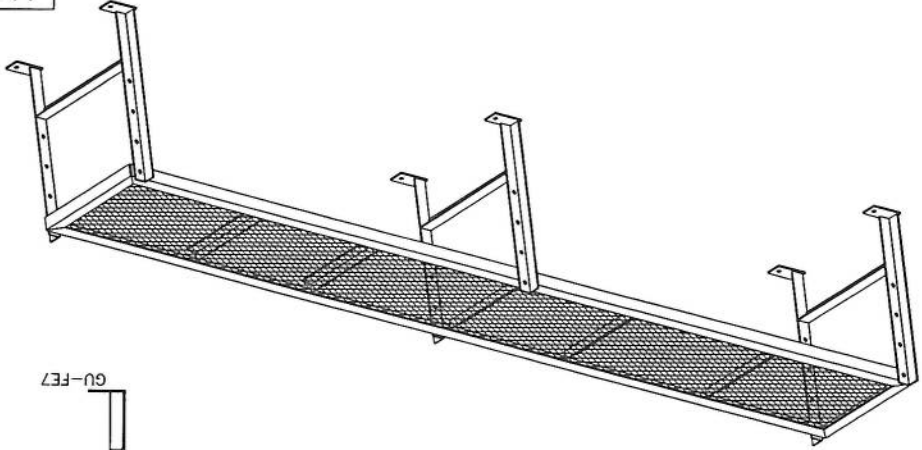


ASSEMBLY	POSITION	SIZE	QUANTITY
MON-D3	PL8	---	2
ARM-3	MON-D1	UNP80	2
	MON-D2A	PL8	2
ARM-2	MON-D4	UNP80	2
	MON-D5	PL8	2
MON-D7	PIPE115*13	---	1
BOLT	M16*300	---	8
UBOLT	M12*130	---	4

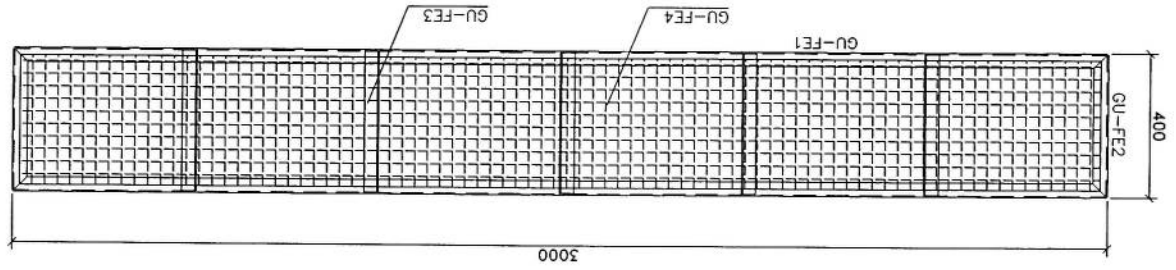
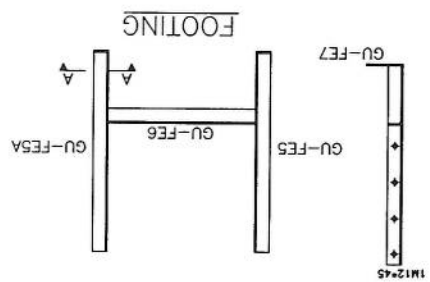
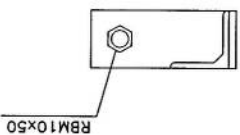
Project No.:		Scale: 1/11		Rev. No. 00		Sheet No. 12	
Tower Type: TOWER NB		Title: NB TOWER 30M PLATFORM 3M					
		Project: AFGHAN TELECOM					
		Client:					
Rev.	Design	Drawn	Checked	Approved	Date	Description	
02	--	S.Ghadiri	--	A.Salohshour	01/03/11	--	
01	--	S.Ghadiri	--	A.Salohshour	01/02/24	--	
00	--	S.Ghadiri	--	A.Salohshour	10/13/24	--	

(Handwritten signature)

List Of Bolts - LADDER	
Specification	Qty
M12*45	6
RBM10x50	6



SECTION A-A

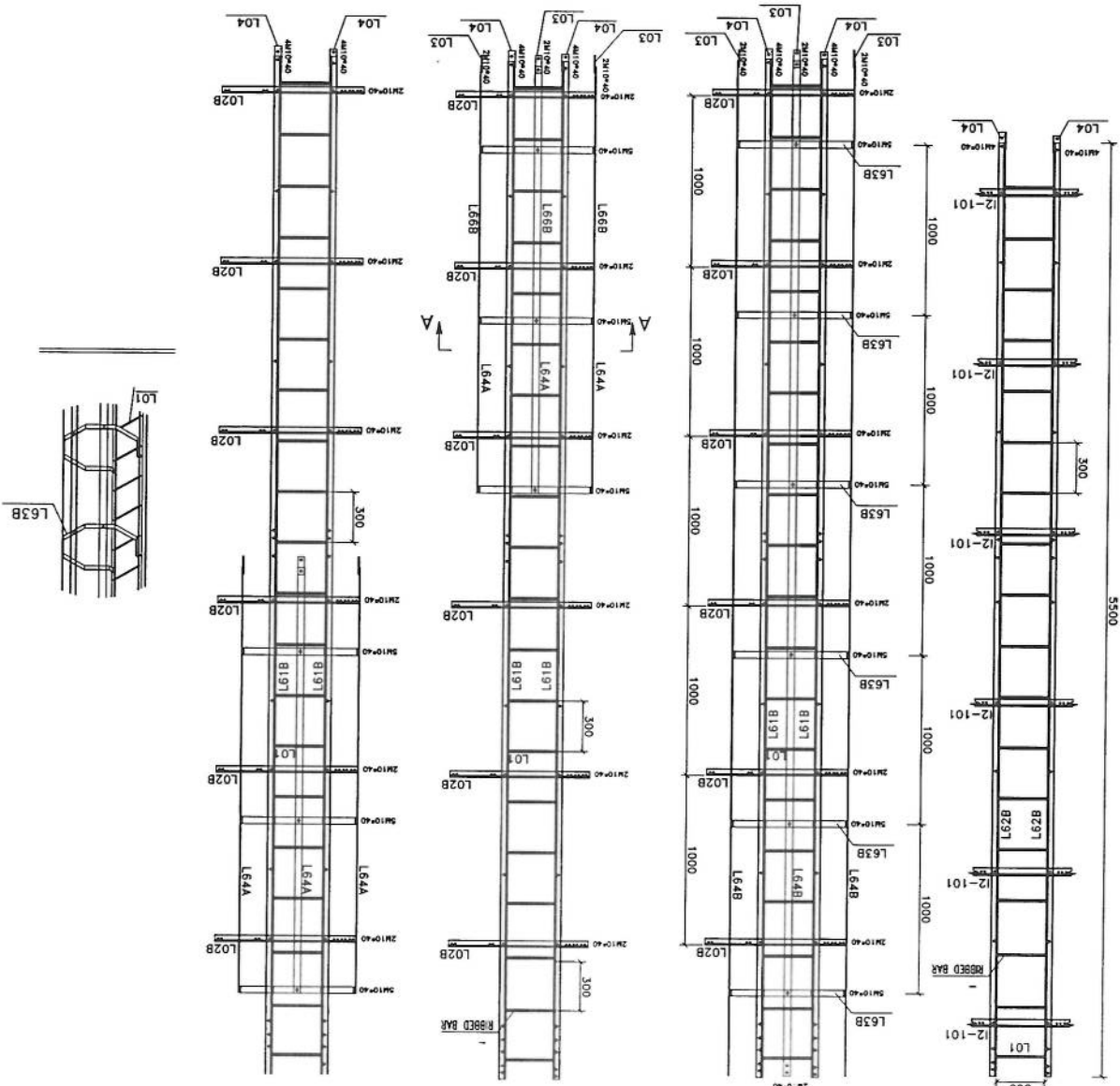
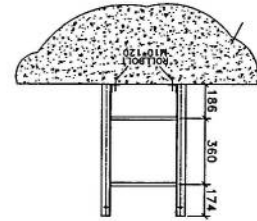
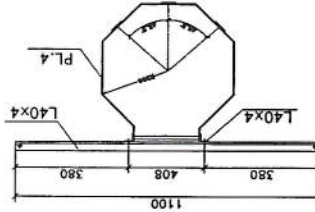


Project No.:		Scale: 1/11		Ref. No. 00		Sheet No. 10	
Tower Type: TOWER NB		Title: NB TOWER 30M LADDER					
Client: AFGHAN TELECOM		Project: AFGHAN TELECOM					
Rev.	Design	Drawn	Checked	Approved	Date	Description	
00	--	S.Ghodhi	--	A.Salahour	10/13/24	--	
01	--	--	--	--	--	--	
02	--	--	--	--	--	--	

Handwritten signature in blue ink.

List Of Bolts - LADDER	
Specification	Qty
J10*90	60
GR5.6	
M10*40	134
GR8.8	

Safety Hoop And Rack Feeder



[Handwritten signature]

Bill of Material

Pos	Shape	Dia(mm)	Length(m)	Quantity	Total Length(m)	Total Weight
1	1250 L 250	18	1.50	64	96	192
2	650 100	10	2.8	28	79.00	49
3	100 100 650	10	0.85	56	48.00	30
4	250 250 7650	16	8.15	140	1203	1741
5	450 450 400	16	2.20	59	130	204
Concrete Volume : 38.55 m ³				Total Weight = 2216 kg		

- Notes:
- All Dimensions are in mm.
 - F_c of concrete = 250 kg/cm².
 - F_y of longitudinal Bars = 4000 kg/cm².
 - Cover = 7.5 cm.
 - Soil Allowable Stress = 1.5-2 kg/Cm².
 - Concrete to be poured max in low stages.
 - Concrete to confirm the specification.

