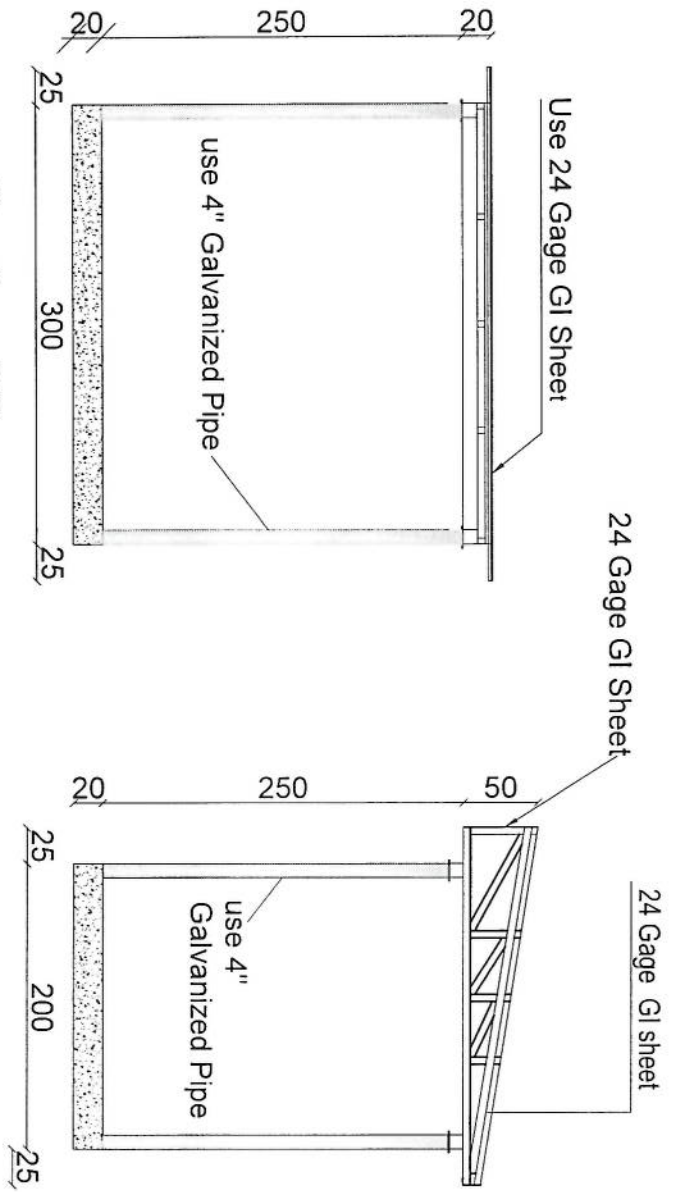


REVISION RECORDS	
REVISION NO	DATE

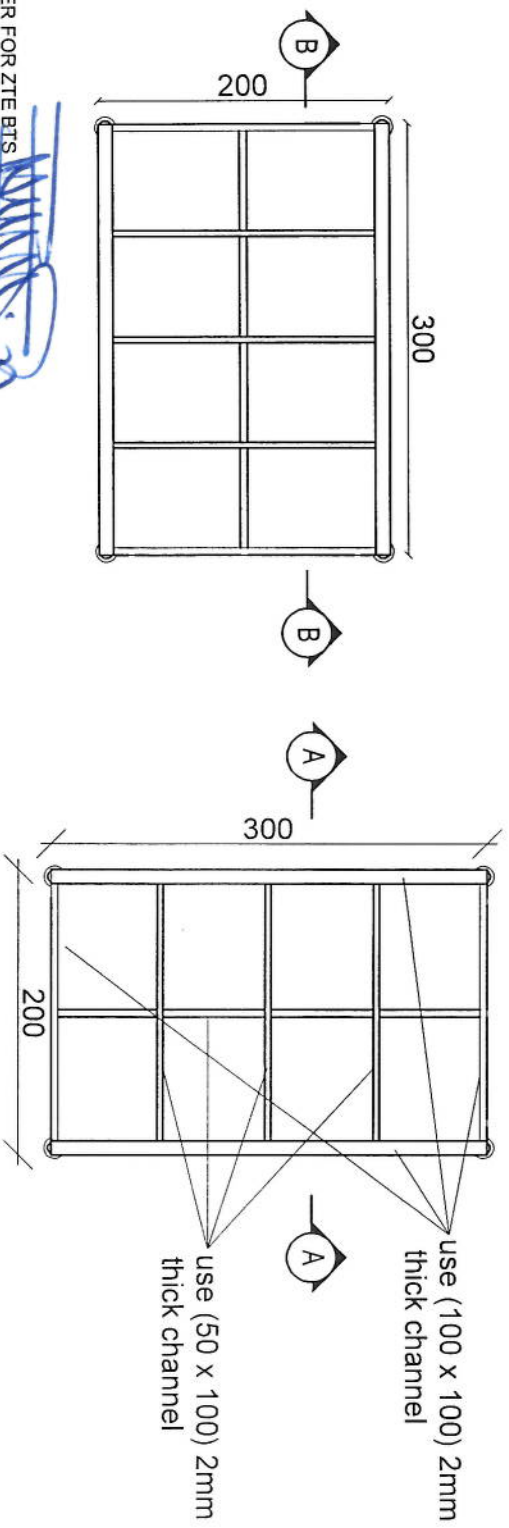
REVISION NO	DATE	DESCRIPTION

LEGEND



Section BB

Section AA



04 SUN SHELTER FOR ZTE BTS
REF. A104




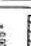
SCALE: 4:50

PROJECT TITLE / NO GSM SITES طور ۱ کابل	DRAWING TITLE SUN SHELTER FOR ZTE SITES بیت سایلنتی برای زت
DRAWN BY: CIVIL TEAM	CHECKED BY:
APPROVED BY:	
SCALE: 1:50	
ACTUAL DATE: 13/04/2015	DRG. NO: 04
ISSUE DATE:	
OWNER: AFGHAN TELECOM	

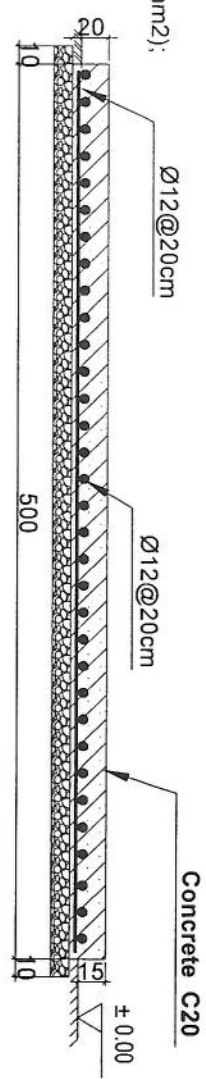
REVISION RECORDS

REVISION NO	DATE	DESCRIPTION

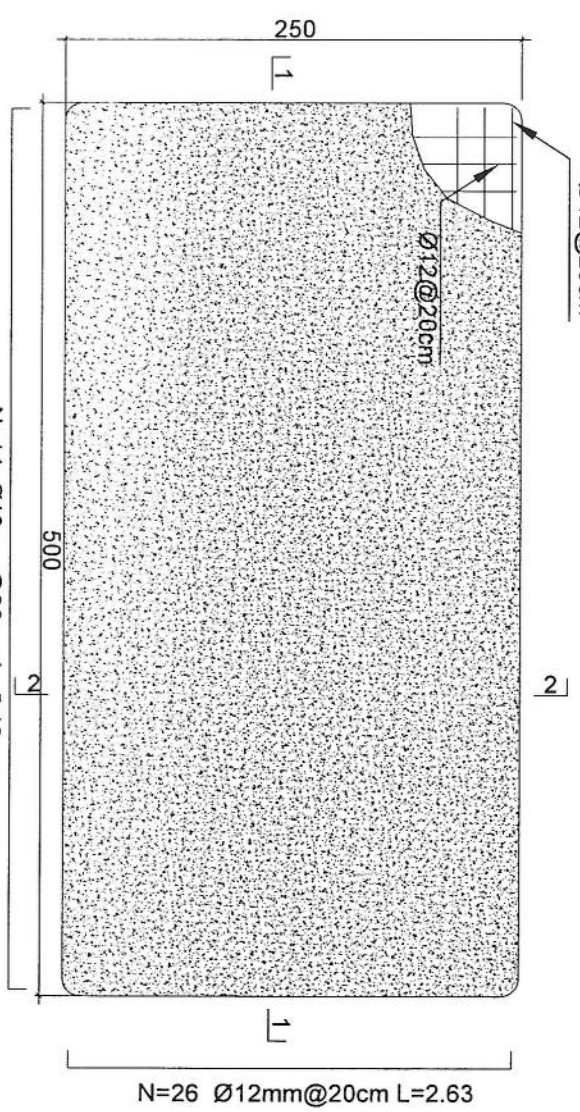
LEGEND:

-  CHISELED ROCK
-  RCC PLASTER
-  RCC
-  ± 0.00 GROUND LEVEL

- Notes:
- The foundation is adopts reinforced concrete, the concrete is C20. (C20:compressive strength is 20N/mm²); the foundation lays on a 10cm thick crush stone pad;
 - Ø12: mild steel rebar's strength 210N/mm²
 - minimum concrete cover for rebar is 3.5cm,
 - All units are in cm
 - All edges of the Slab should be curve



1-1 section



2-2 section

Generator Foundation

N=14 Ø12mm@20cm L=5.13

N=26 Ø12mm@20cm L=2.63

1 GENERATOR FOUNDATION
04 REF: A101

SCALE: 1:25

OWNER: AFDHANI TELECOM
Salam Telecomunication Company
KABUL
AFGHANISTAN

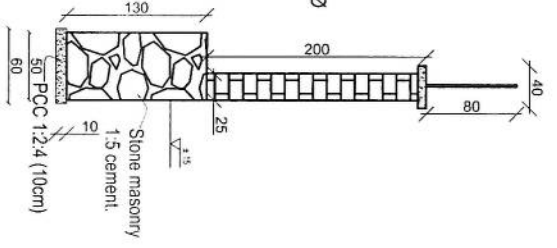
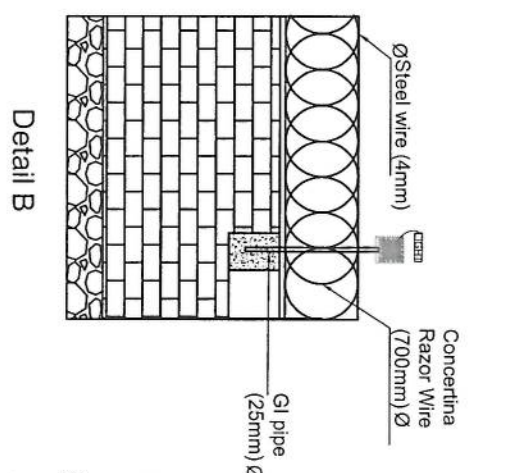
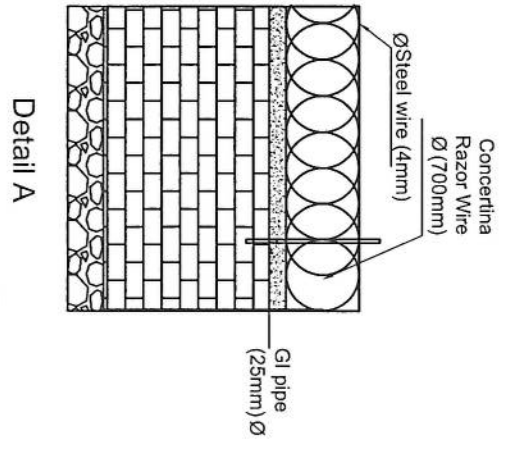
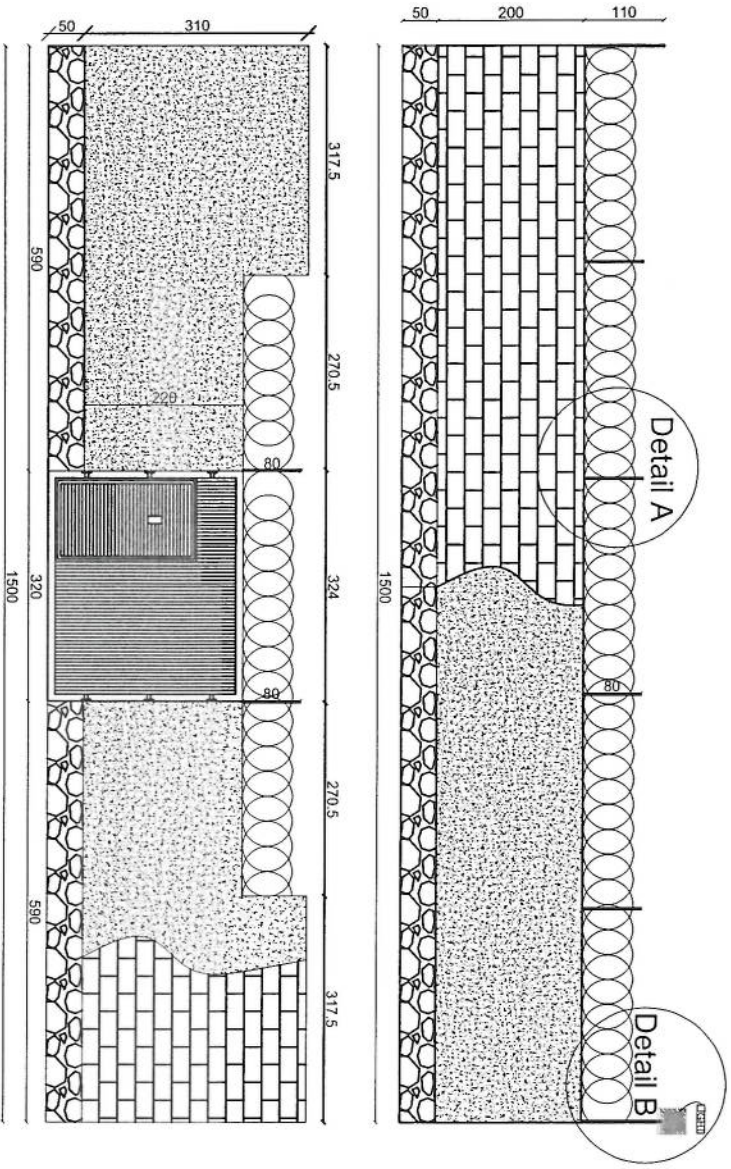
SCALE: 1:25
ACTUAL DATE: 13/04/2025
ISSUE DATE: DRG.NO: 01

APPROVED BY:

DRAWN BY: CIVIL TEAM
CHECKED BY:

DRAWING TITLE: GENERATOR FOUNDATION

PROJECT TITLE / NO: GSM SITES



WALL ELEVATIONS & DETAILS

REF. A102

SCALE: 1:100

Handwritten signature and date: 20/11/2024

REVISION RECORDS	
NO	DESCRIPTION

LEGEND:	
	STONE MASONRY
	CONCRETE
	CONCENTINA RAZOR WIRE
	STEEL WIRE

PROJECT TITLE / NO.
GSM SITES

DRAWING TITLE:
WALL ELEVATIONS & DETAILS

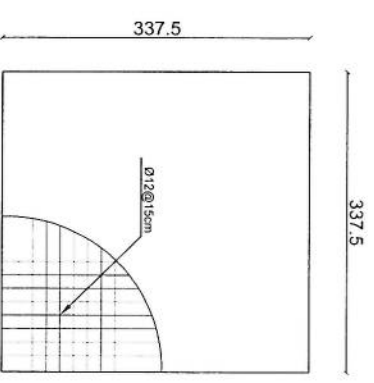
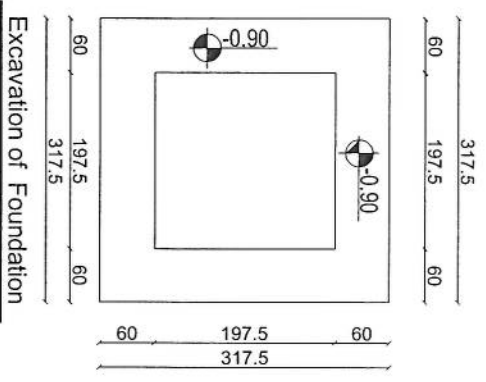
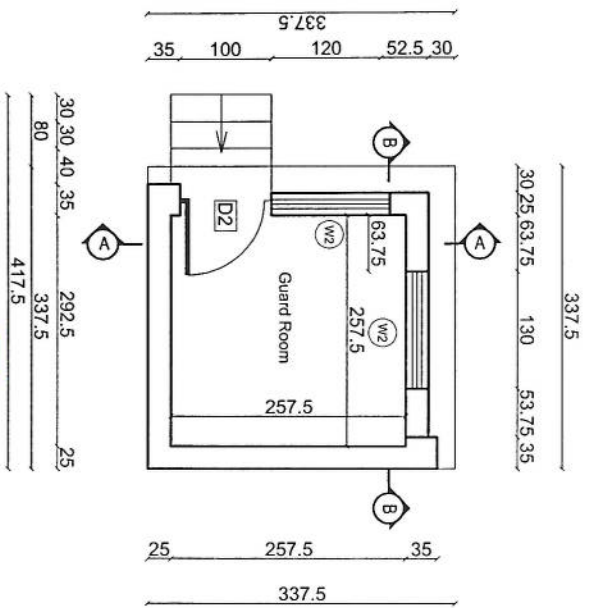
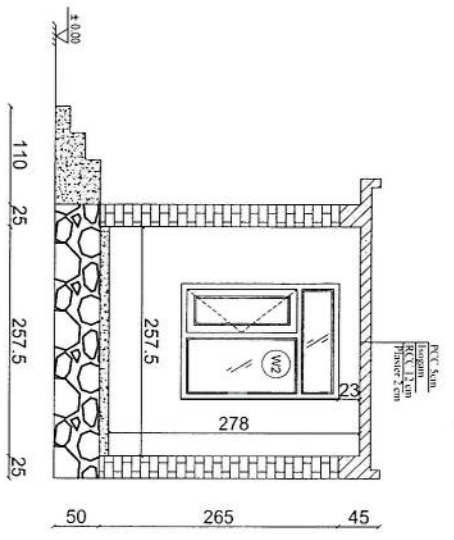
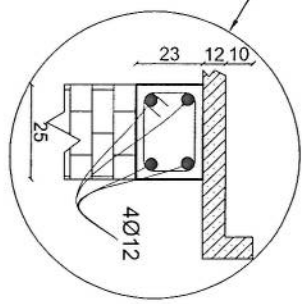
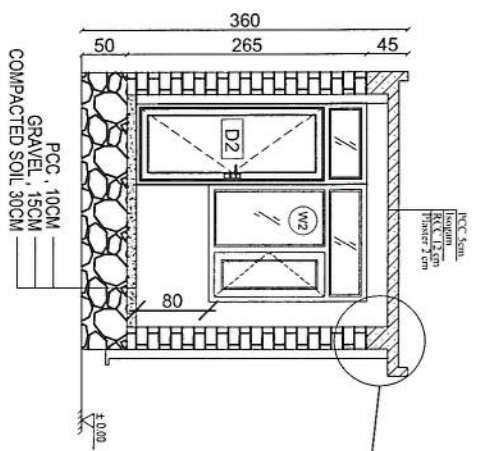
DRAWN BY:
CIVIL TEAM

CHECKED BY:

APPROVED BY:

SCALE: 1:100
ACTUAL DATE: 20/11/2024
ISSUE DATE: 20/11/2024
DRG NO: 02

OWNER: ARGHAN TELECOM
Sahlan Telecommunication Company
KARUI
ALGHABEISYAN



03 GUARD ROOM

REF. A103

SCALE: 1:75

REVISION RECORDS	
NO	DESCRIPTION

REVISION NO	DATE	DESCRIPTION

LEGEND	
	BRICK
	STONE MASONRY
	PCC
	EARTH
	EXCAVATION
	WINDOW
	DOOR

PROJECT TITLE / NO
GSM SITES

DRAWING TITLE:
GUARD ROOM

DRAWN BY:
CIVIL TEAM

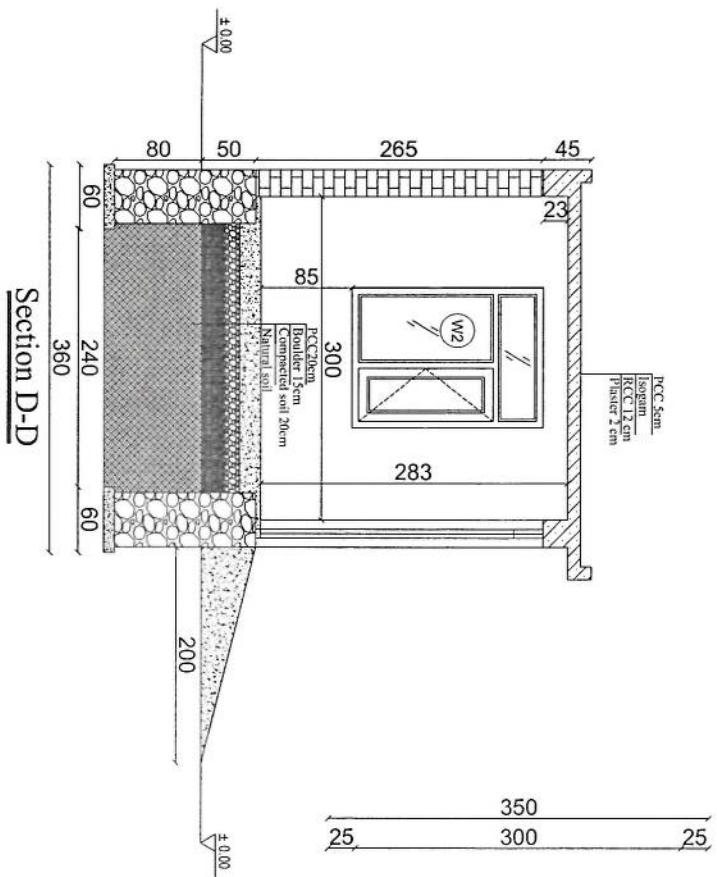
CHECKED BY:

APPROVED BY:

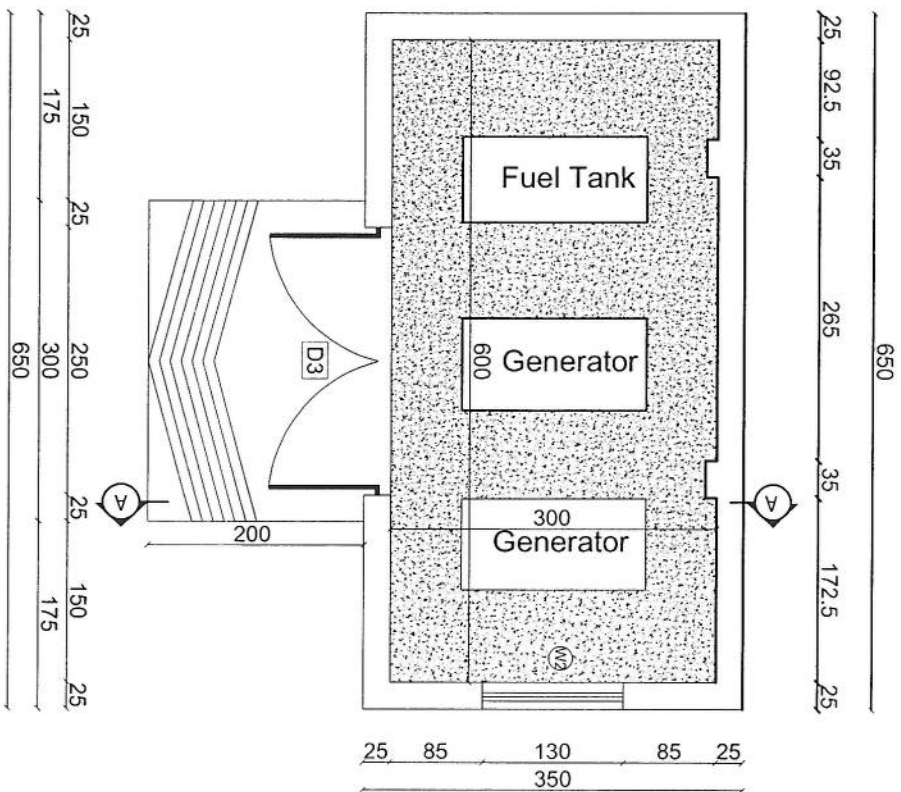
SCALE: 1:75
ACTUAL DATE: 25.03.2026
ISSUE DATE: DRG NO. 03

OWNER:
AFGHAN TELECOM

Sistan Telekomunikashon Company



Section D-D



Generator Room Plan

04 GENERATOR ROOM REF. A104

SCALE: 1:75

REVISION RECORDS		
NO	DATE	DESCRIPTION

LEGEND	
	CONCRETE
	INSULATION
	REBAR
	SOIL
	WATER
	AIR

PROJECT TITLE / NO
GSM SITES

DRAWING TITLE
GENERATOR ROOM

DRAWN BY	CHECKED BY

APPROVED BY

SCALE
1/75

ACTUAL DATE	ISSUE DATE	DRG NO
25/03/2026		04

OWNER
AFGHAN TELECOM

OWNER
Sistem Telekomunikasi Kabur Kabur AFGHAN TELECOM

REVISION RECORDS		
NO.	DATE	DESCRIPTION

LEGEND



PROJECT TITLE / NO.
GSM SITES

DRAWING TITLE:
TOILET

DRAWN BY:
CIVIL TEAM

CHECKED BY:

APPROVED BY:

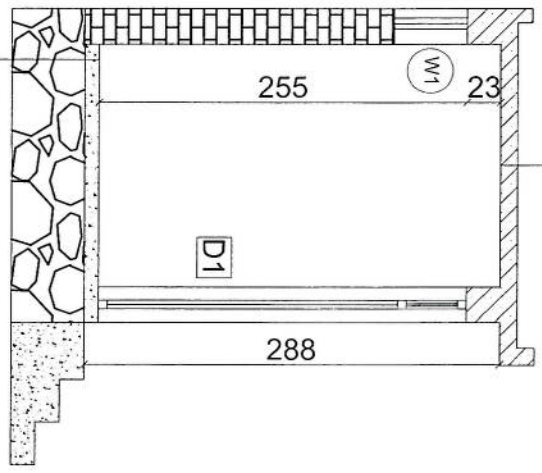
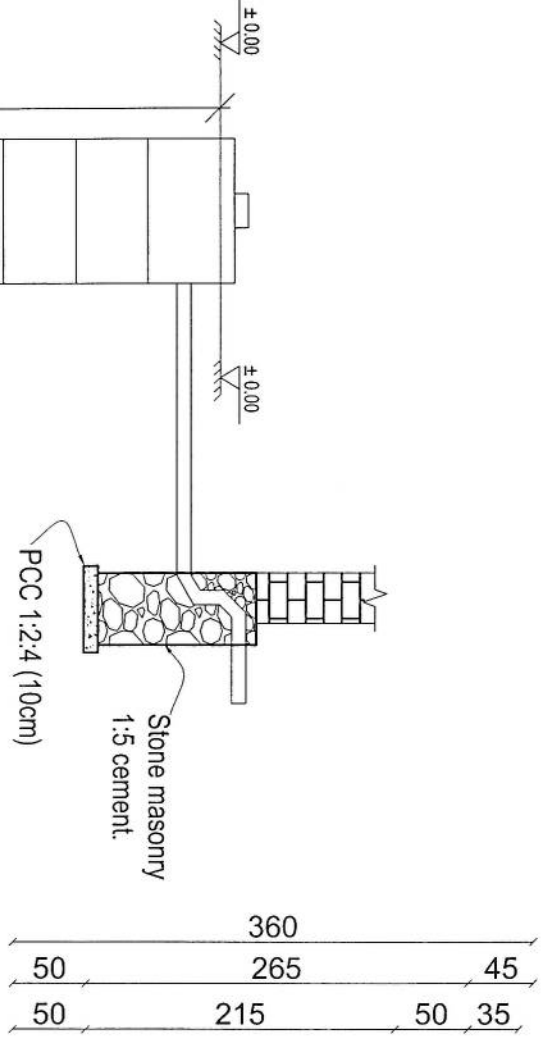
SCALE: 1:50

ACTUAL DATE: 25.03.2026

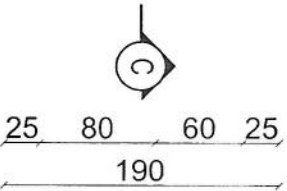
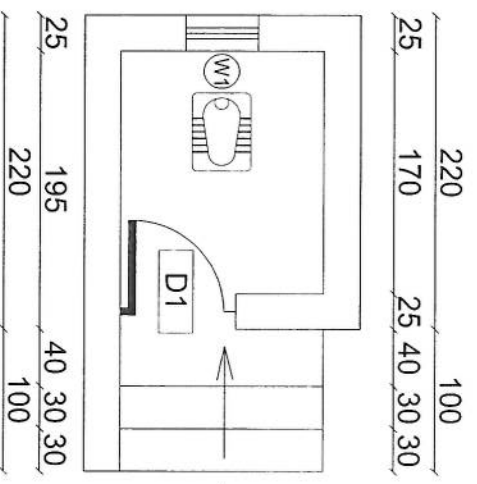
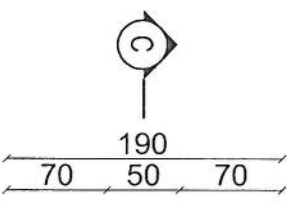
ISSUE DATE: DRG.NO: 05

OWNER:
AFGHAN TELECOM

Salam Telecommunication Company
KAROL
AFGHANISTAN



Well for toilet



TOILET
REF: A105

SCALE: 1:50

05

REVISION RECORDS

REVISION NO	DATE	DESCRIPTION

LEGEND:

- W1 WINDOWS TYPE 1
- W2 WINDOWS TYPE 2
- D1 DOOR TYPE 1
- D2 DOOR TYPE 2

PROJECT TITLE / NO:
GSM SITES

DRAWING TITLE
DOORS & WINDOWS DETAILS

DRAWN BY:
CIVIL TEAM

CHECKED BY:

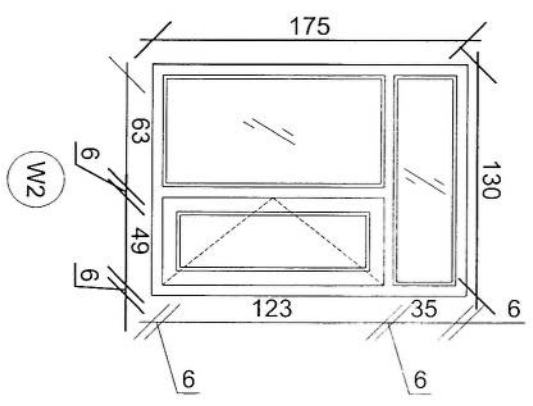
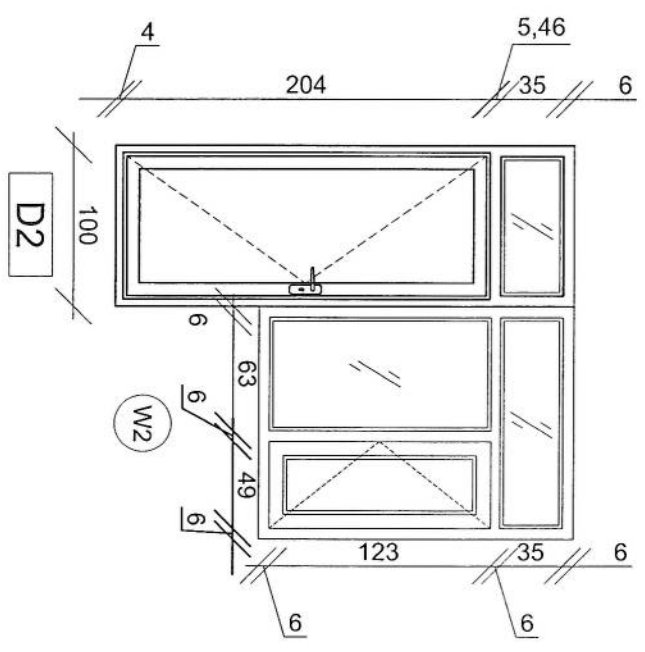
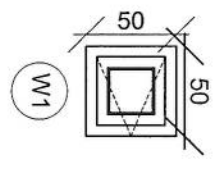
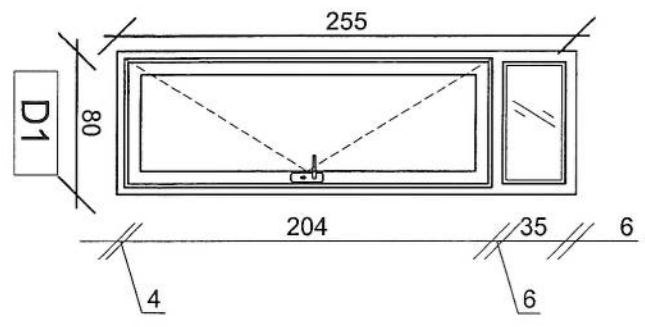
APPROVED BY:

SCALE: 1:25

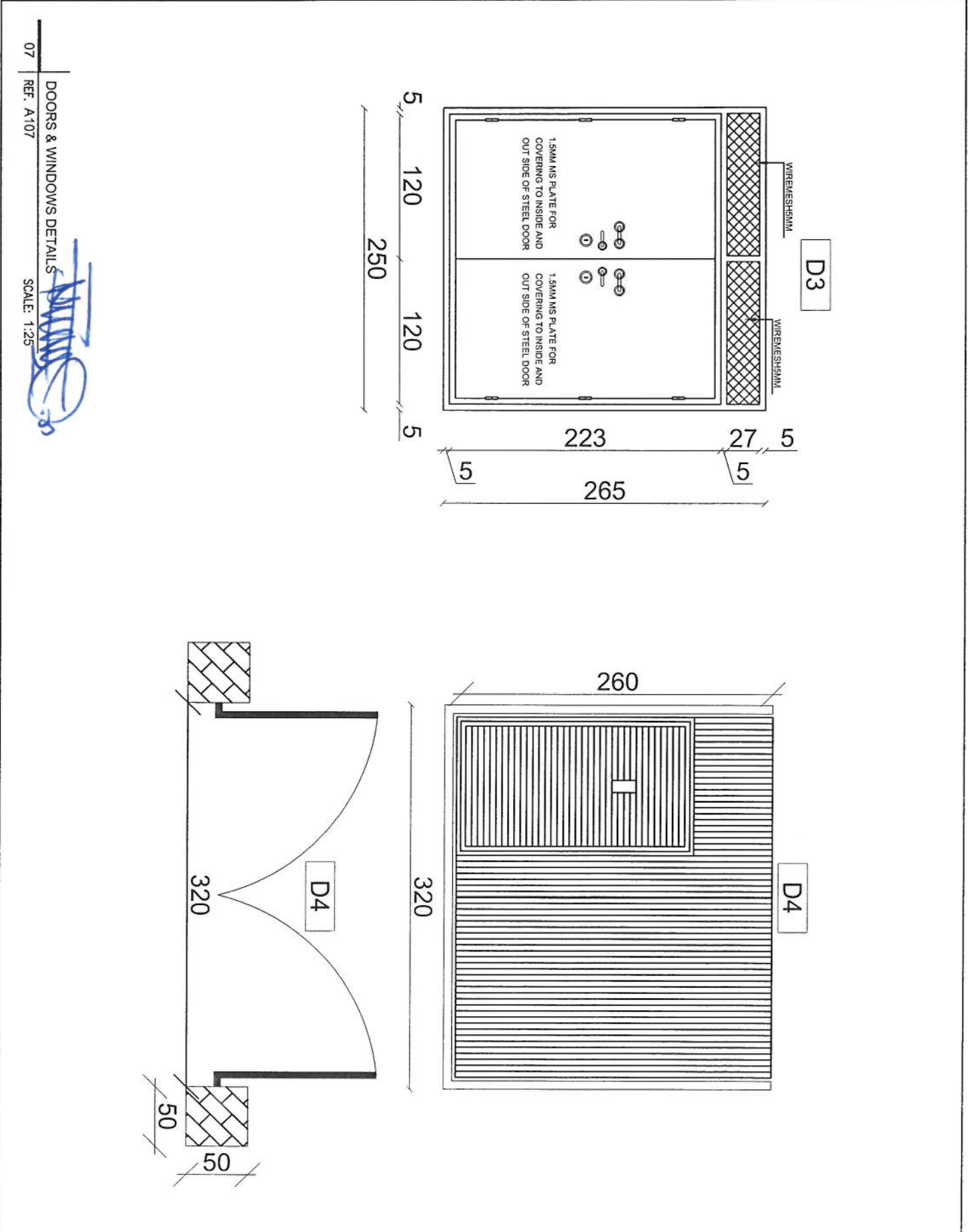
ACTUAL DATE: 20/10/2020
ISSUE DATE:

DIRG. NO: 06

OWNER: AFGHAN TELECOM



06 | REF. A106 | DOORS & WINDOWS DETAILS | SCALE: 1:25



DOORS & WINDOWS DETAILS

REF. A107

SCALE: 1:25

REVISION RECORDS

REVISION NO	DATE	DESCRIPTION

LEGEND:

[Symbol]	BRICK / RED
[Symbol]	003 TYPE 1
[Symbol]	003 TYPE 1

PROJECT TITLE / NO

GSM SITES

DRAWING TITLE

DOORS & WINDOWS

DRAWN BY:

CIVIL TEAM

CHECKED BY:

APPROVED BY:

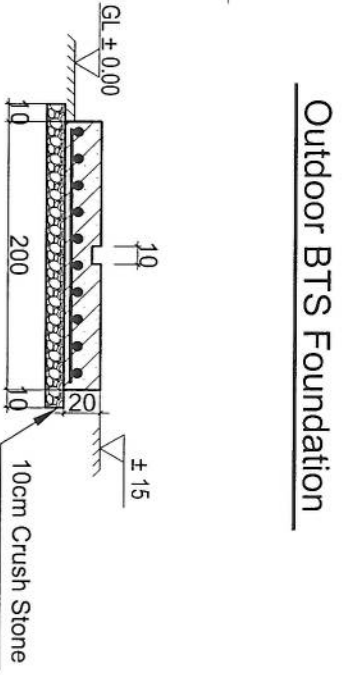
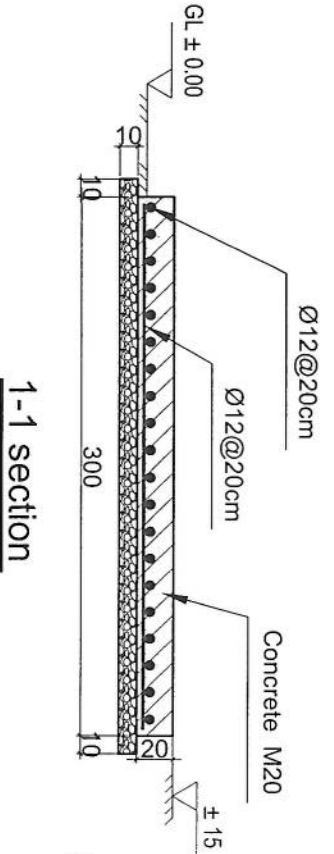
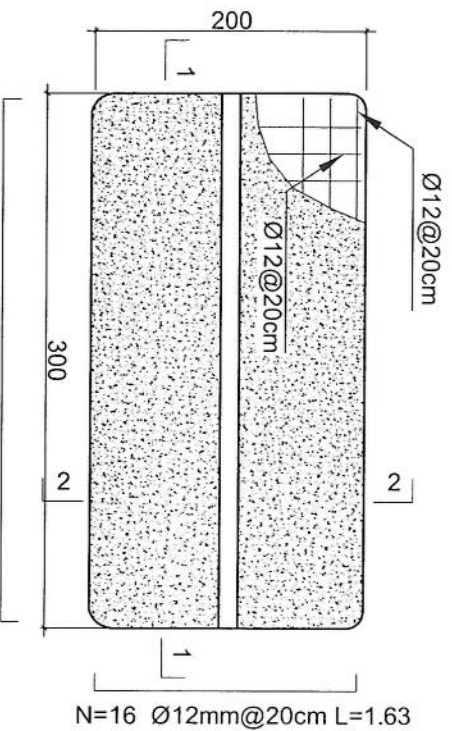
SCALE: 1:25

ACTUAL DATE: 23/03/2020

ISSUE DATE: DRG NO. 07

OWNER: AFGHAN TELECOM

- Notes:
1. The foundation is adopts reinforced concrete, the concrete is M20; (M20:compressive strength is 20N/mm²); the foundation lays on a 10cm thick crush stone pad;
 2. Ø12: mild steel, rebars strength 210N/mm²
 3. minimum concrete cover for rebar is 3.5cm,
 4. All units are in cm
 5. All edges of the Slab should be curve



Outdoor BTS Foundation

ZTE OUTDOOR BTS FOUNDATION
 REF. A108

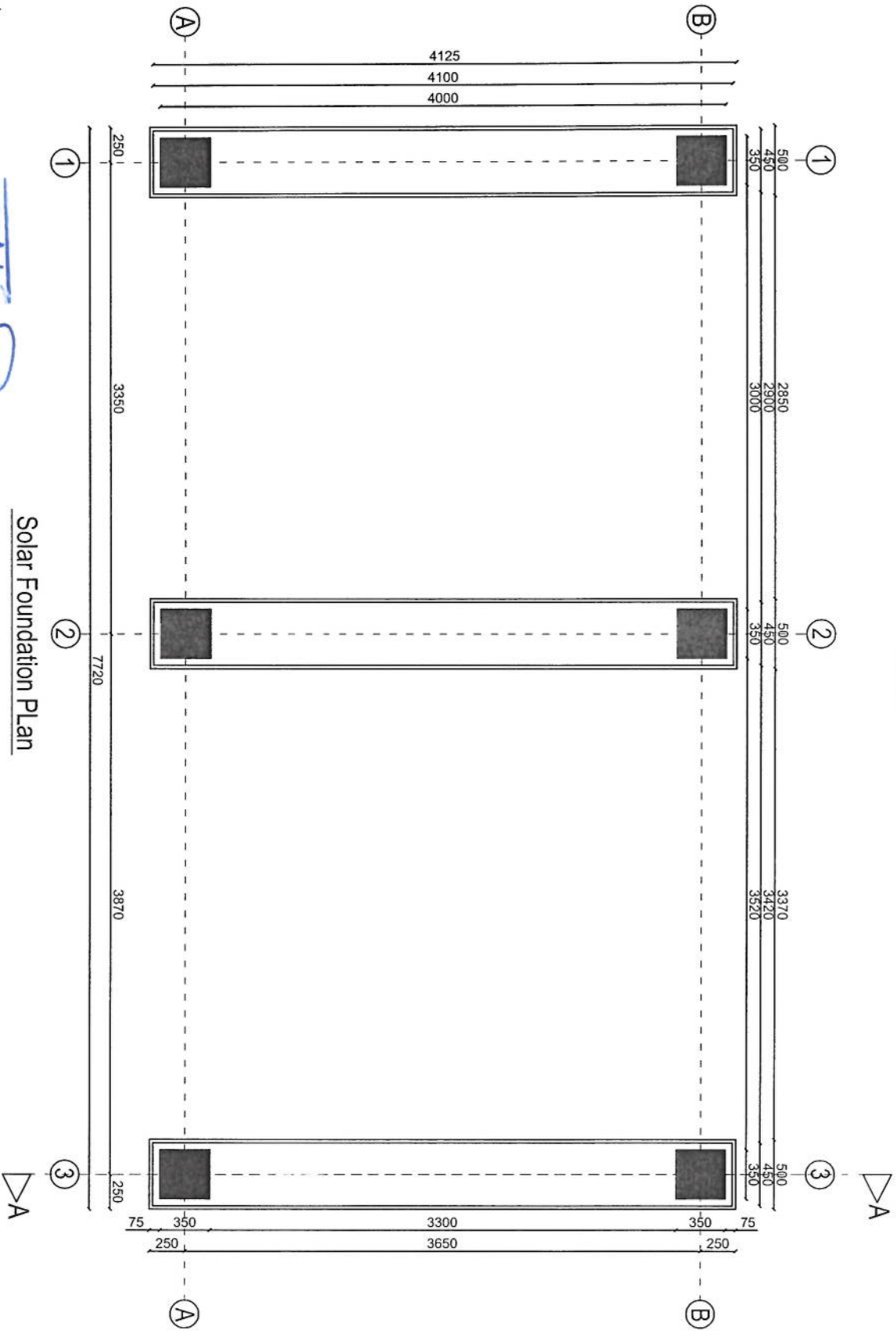
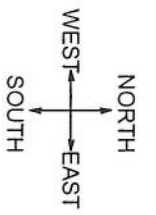
SCALE: 1:25

REVISION RECORDS	
NO.	DESCRIPTION

LEGEND	
	Reinforced concrete
	M20 concrete
	10cm Crush Stone
	Ground Level

PROJECT TITLE / NO.	GSM SITES
DRAWING TITLE:	ZTE OUTDOOR BTS FOUNDATION
DRAWN BY:	CIVIL TEAM
CHECKED BY:	
APPROVED BY:	

SCALE:	1:25
ACTUAL DATE:	23.03.2025
ISSUE DATE:	DRG NO. 08
OWNER:	AFGHAN TELECOM



Solar Foundation Plan

01 SOLAR FOUNDATION PLAN
02 REF. A101

SCALE: 1:400

REVISION RECORDS	
REVISION NO.	DATE

LEGEND

PROJECT TITLE / NO.

GSM SITES

موقعیت های GSM

DRAWING TITLE

SOLAR FOUNDATION PLAN
برای پایه های خورشیدی

DRAWN BY

CIVIL TEAM

CHECKED BY

APPROVED BY

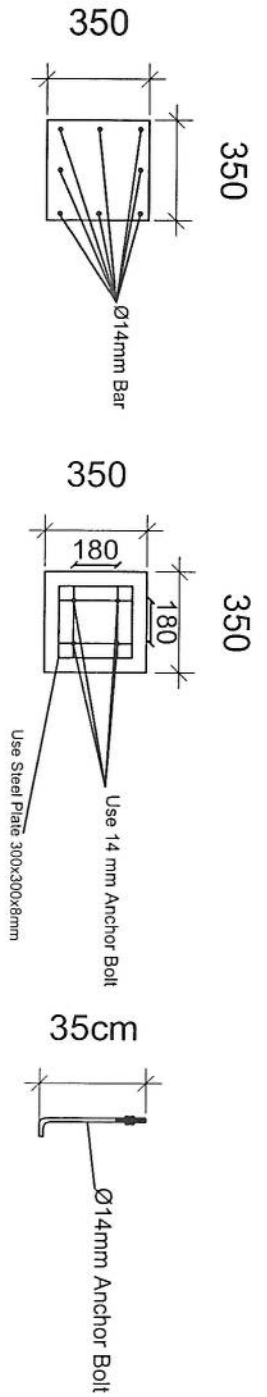
SCALE: 1:400

ACTUAL DATE: 20/10/2025

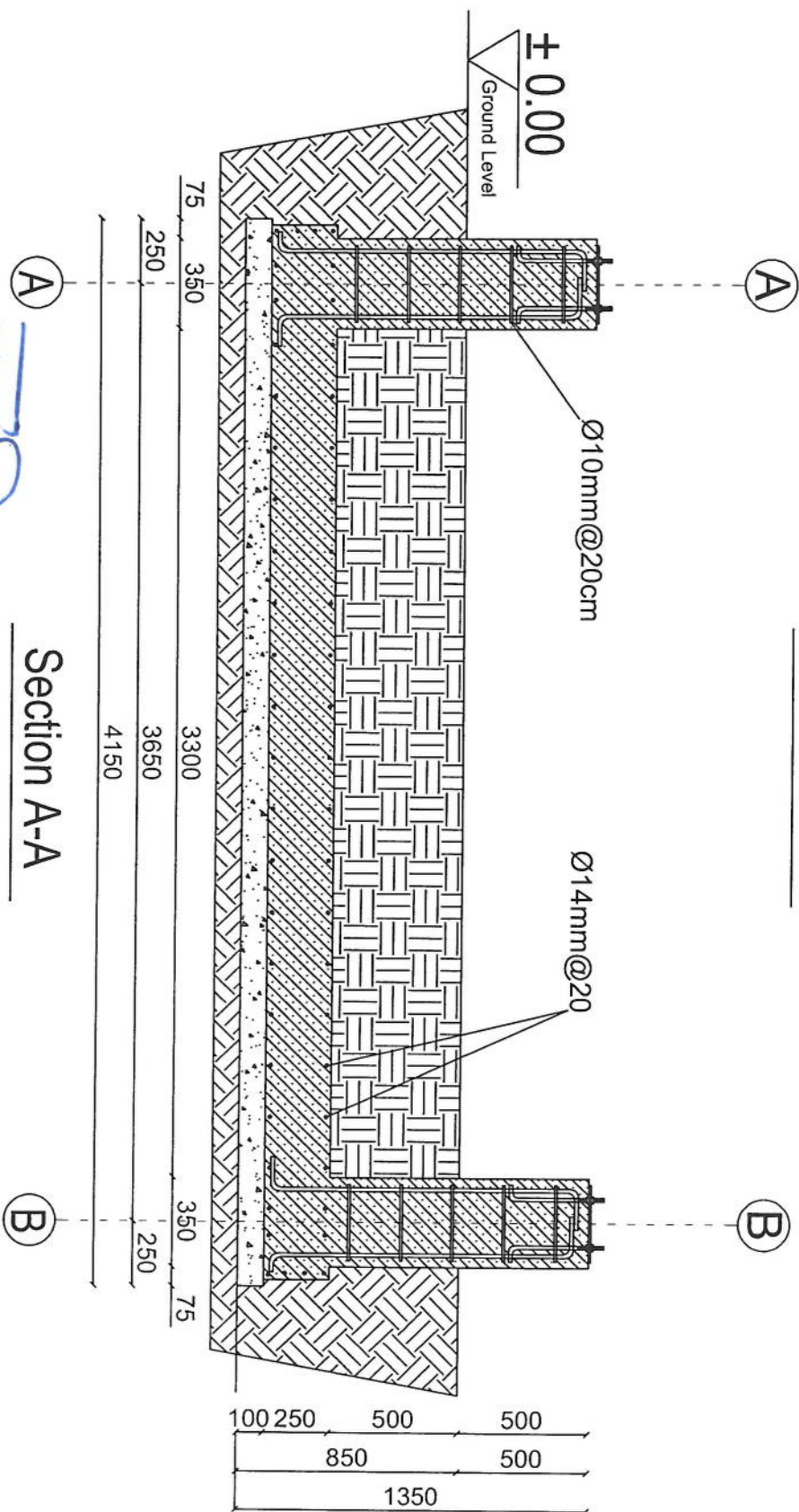
ISSUE DATE: DRG. NO. 01

OWNER: AFGHAN TELECOM

Saleem Telecommunication Company
AFGHANISTAN



Column Detail



Section A-A

02 SOLAR FOUNDATION SECTION
REF. A201

SCALE: 1:250

REVISION RECORDS	
REVISION NO.	DATE / DESCRIPTION

LEGEND:

PROJECT TITLE / NO:	GSM SITES
DRAWING TITLE	SOLAR FOUNDATION SECTION
DRAWN BY:	CIVIL TEAM
CHECKED BY:	
APPROVED BY:	
SCALE:	1:250
ACTUAL DATE:	20/10/2025
ISSUE DATE:	
OWNER:	ATFOMAN TELECOM

Setem Telecommunication Company
 KARUI
 AFGHANISTAN