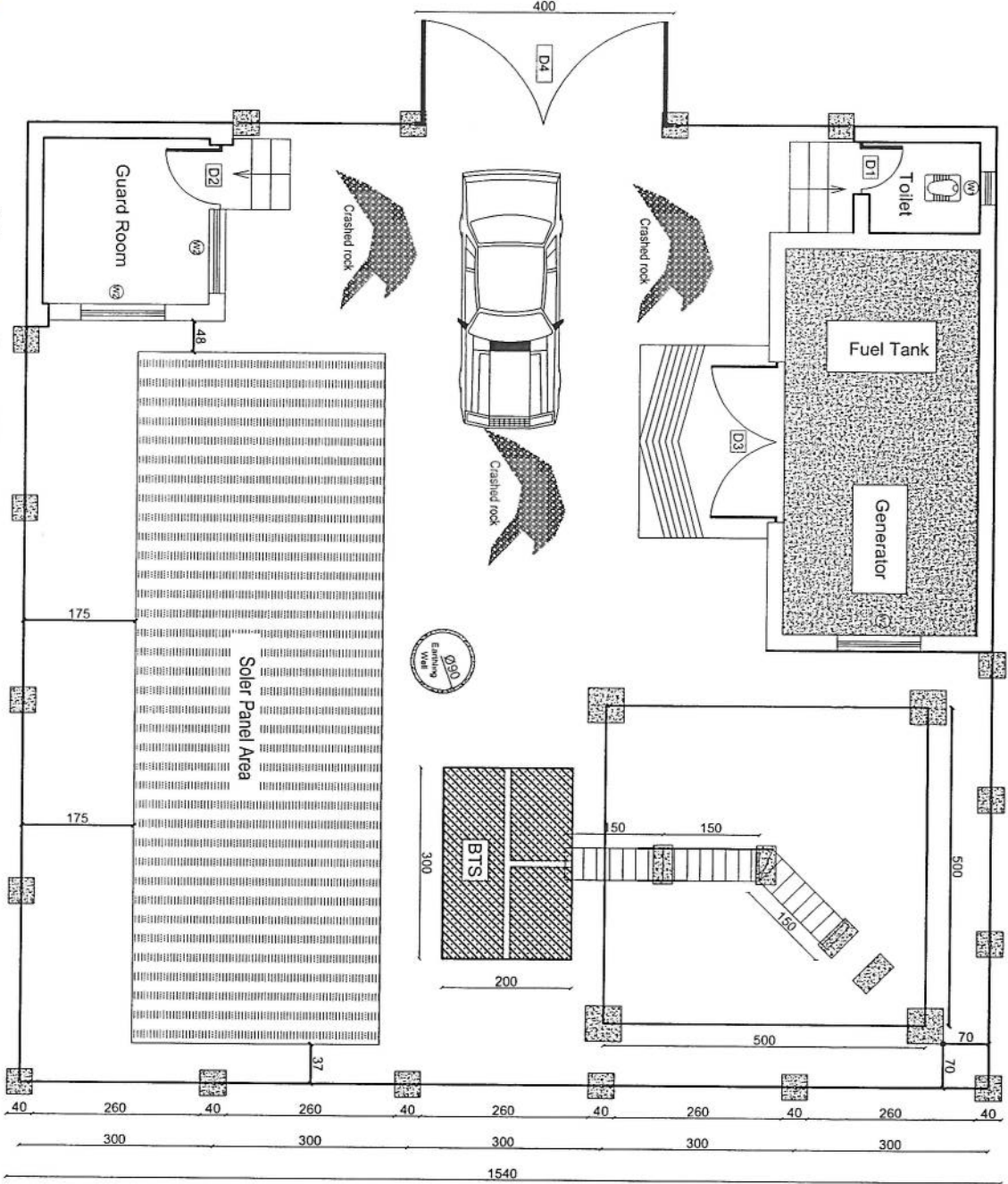
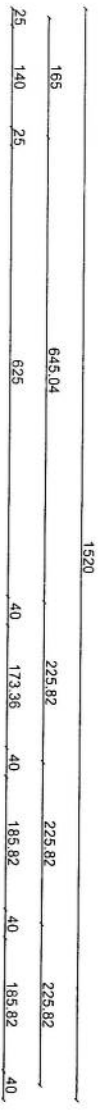
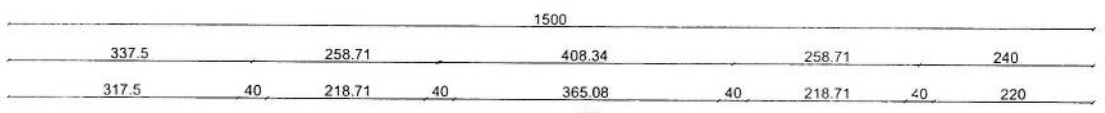
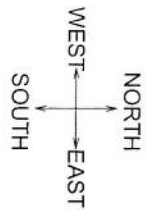


1	PKK013	Site ID (ای دی ساتیٹھائی)
2	A شماره	شماره
3	32.46991 68.16131	GPS coordinates
4	Paktika Kushmand	نام ساحہ و منطقہ
5	Kushmand	نام ولایت و ولایتی مرکز
6	Paktika Kushmand Jasar	(نام ساحہ) کے قریب ہے (نام ساحہ) کے قریب ہے
7	Govt	مالکیت (مملکت) یا دوسری
8	Govt	مالکیت قابل دسترس ہے
9		شماره نمائندگی یا سکینہ
10	Govt	شخصی/کافی
11	Govt	مالکیت قابل دسترس ہے
12	Govt	موافقہ
13	Govt	بوعیت (مملکت) یا دوسری
14	Govt	چگونگی ساحہ (شہری، روستائی، دورست) یا VIP
15	Govt	ساحہ واسطہ
16	Govt	آیا یہ ساحہ ترقی یافتہ ہے
17	Govt	چہ مقدار ترقی یافتہ ہے
18	Kushmand Area	درج معلومات بہ اساس سروی از ساحہ
19		بوعیت (مملکت) یا دوسری
20		تعداد منازل
21		ارتقاء تعمیر
22		راہ رستہ یا (مملکت) یا دوسری
23		مالکیت قابل دسترس ہے
24		مالکیت قابل دسترس ہے
25		مالکیت قابل دسترس ہے
26		بوعیت (مملکت) یا دوسری
27		ساحہ موجود (طول و عرض)
28		تور مورد نیاز (تور) یا دوسری
29		ارتقاء مورد نیاز
30		ارتقاء مخرمی تور و تعمیر از سطح زمین منزل
31	GMT	درج معلومات بہ اساس سروی از ساحہ
32	Local Area	بوعیت ساحہ (ساحہ یا ساحہ محاط)
33	12*12m	ساحہ موجود (طول و عرض)

Handwritten signatures and stamps at the top of the page.



01 SITE PLAN REF. A101 SCALE: 1:100

REVISION RECORDS	
REVISION NO	DATE / DESCRIPTION

- LEGEND:**
- CRASHED ROCK
 - PCB
 - WINDOWS TYPE 1
 - WINDOWS TYPE 2
 - DOOR TYPE 1
 - DOOR TYPE 2
 - DOOR TYPE 3
 - DOOR TYPE 4

PROJECT TITLE / NO:
GSM SITES

DRAWING TITLE:
SITE PLAN WITH FENCE WALL

DRAWN BY:
CIVIL TEAM

CHECKED BY:

APPROVED BY:

SCALE: 1:100

ACTUAL DATE: 11/02/2008

ISSUE DATE: DRG NO: 01

OWNER: AFGHAN TELECOM

OWNER: Salomon Telecommunication Company
KABUL
AFGHANISTAN

جدول سروی سایت‌های غیر تی دی اف (AFTEL)

12*12m.	مساحت مورد نیاز سایت (طول عرض)	34
Fence Wall	نوعیت احاطه در صورت ضرورت	35
Yes	محل بودیاش گارد در صورت ضرورت	36
GMT <i>CrF</i>	تاوور (کیلی روی زمین یا سلف سپورت)	37
30m <i>40m</i>	ارتفاع تاوور مورد نیاز	38
دارد (با تیم TX چک گردید)	امکانات وصل ترانس میشن سایت (TX type)	39
ضرورت دارد	سایه بان و سلب برای وسایل مخازن (BTS and all racks)	40
Needed	سایه بان و سلب مورد نیاز جتراتور و تانکر	41
دارد	امکانات نصب سولر است؟	42
موجود میباشد	ساحه کافی برای سولر موجود است؟	43
No	برق شهری در ساحه وجود دارد؟	44
	فاصله برج برق از ساحه سایت	45
PKK MCIT ,AFTEL, and PKK ATRA	تیم سروی	46
Atiqullah Niazi /PKKATRA and PKK MCIT	نام	47
RF BSS	دیپارتمنت	48
	شماره	49
Yes.	سکینج ساحه سایت (ترقیب و ضم رپور سروی شود)	50
Yes	عکسهای بانارومیک از ساحه گرفته شود	51
چک گردیده است	خط دید وصل مایکروویف با تیم از ساحه باید چک و تایید شود	52
فعلا موجود نمیشد	خدمات سلام در ساحه موجود است؟	53
	کیفیت خدمات سلام در ساحه	54
This the Site which the Minister Recommended in Urgent Case to Cover Below Area	نظریات:	55

REVISION RECORDS		
REVISION NO	DATE	DESCRIPTION

LEGEND:

- PCC (R.A.G.H.R.)
- RCC
- GASHED BRICK
- COMPACTED SOIL
- NATURAL SOIL
- GROUND LEVEL
- WINDOWS TYPE 2
- DOOR TYPE 3

PROJECT TITLE / NO:
GSM SITES
موقع های GSM

DRAWING TITLE:
GENERATOR ROOM
اتاق موتور

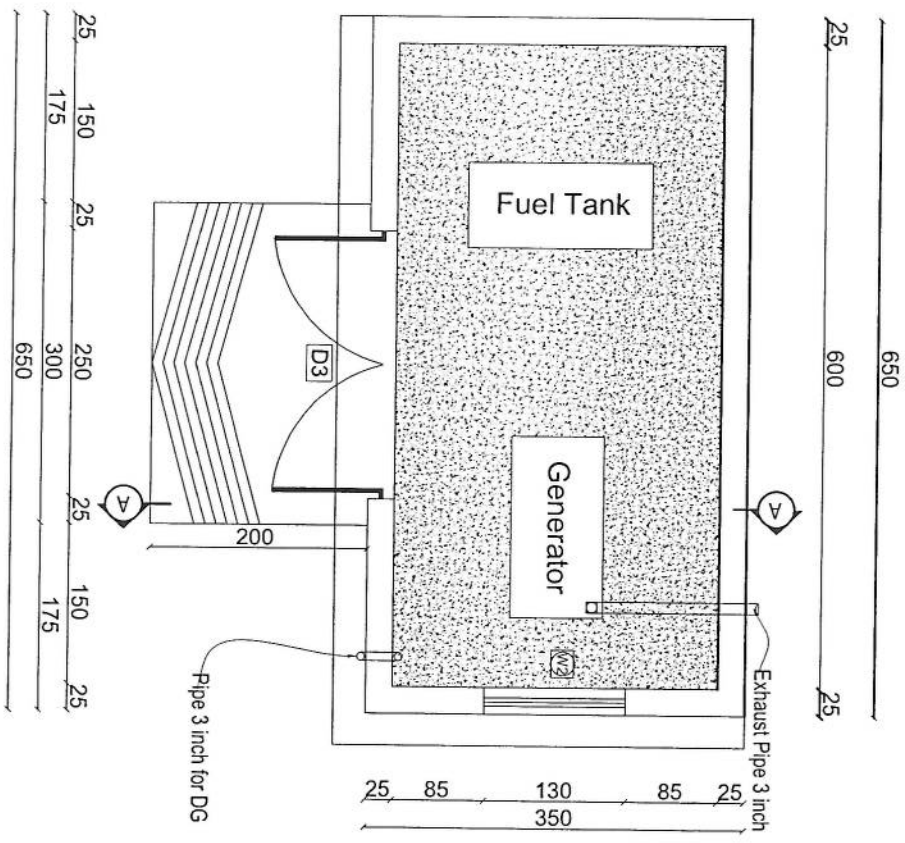
DRAWN BY:
CIVIL TEAM
چک شده BY:

APPROVED BY:

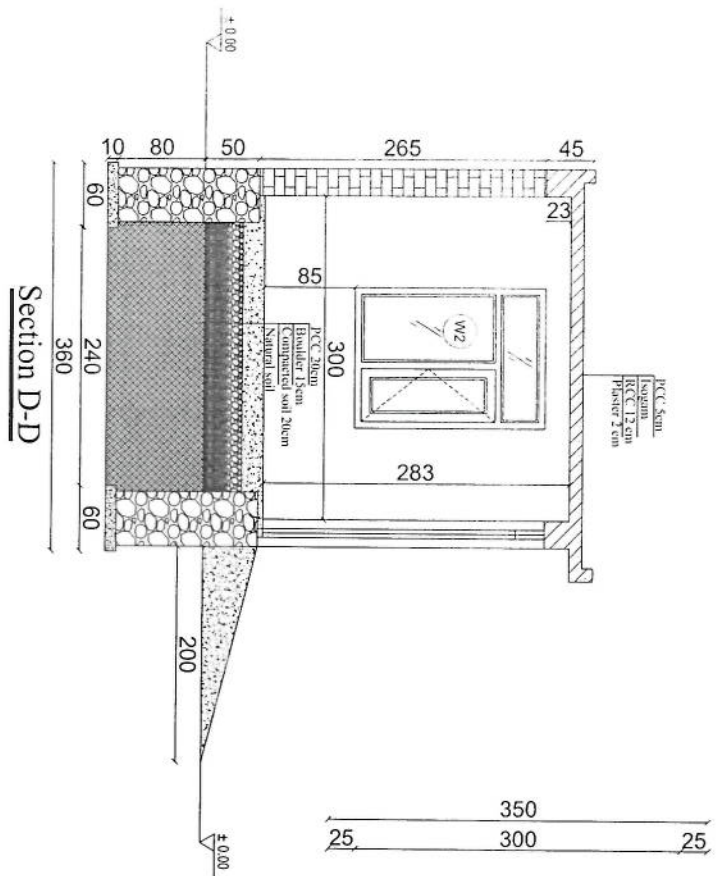
SCALE: 1:25
ACTUAL DATE: 17/02/2026
ISSUE DATE:

OWNER:
AFGHAN TELECOM
مصرف افغان

Sehant Telecom Afghani Company
AFGHANISTAN



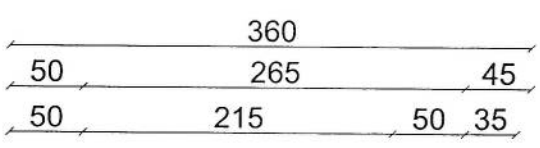
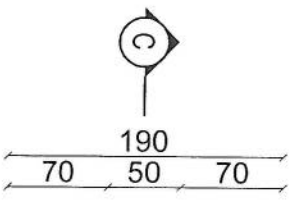
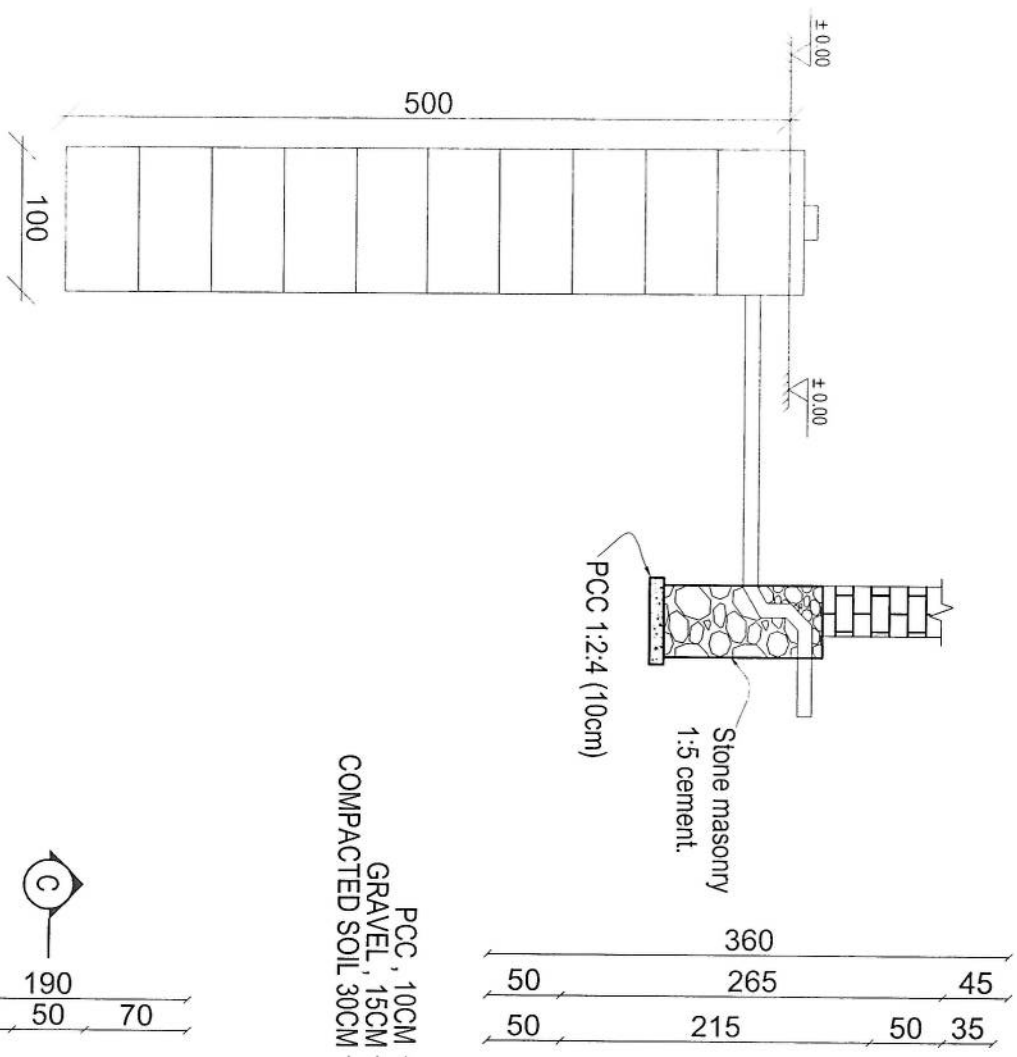
Generator Room Plan



Section D-D

GENERATOR FOUNDATION
SCALE: 1:25

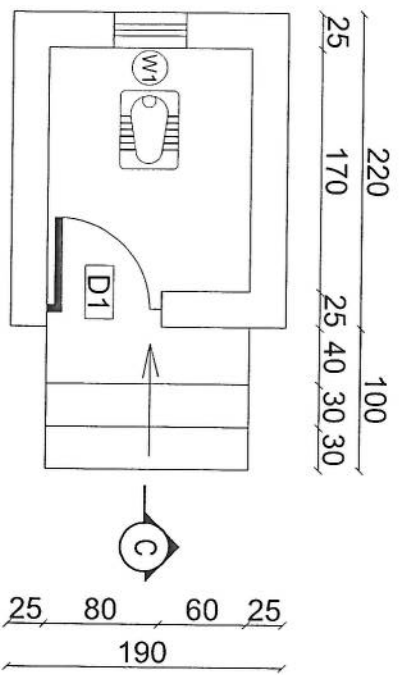
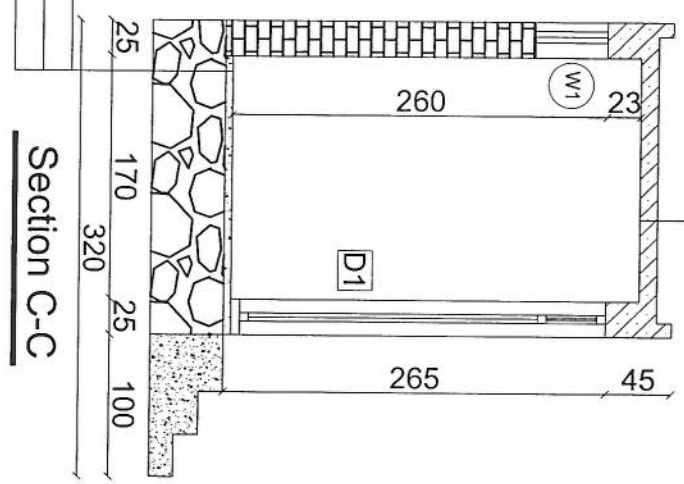
04 REF. A104



PCC 5cm
 Isogam
 RCC 12 cm
 Plaster 2 cm

PCC, 10CM
 GRAVEL, 15CM
 COMPACTED SOIL 30CM

Section C-C



REVISION RECORDS	
REVISION NO	DATE / DESCRIPTION

	LEGEND: Brick Faced Stone Masonry PCC Windows Type Door Type Ground Level
--	--

PROJECT TITLE / NO: GSM SITES پروژه های GSM	DRAWING TITLE: TOILET دستشویی
--	--

DRAWN BY: CIVIL TEAM	CHECKED BY:
--------------------------------	--------------------

APPROVED BY:	SCALE: 1:50
---------------------	--------------------

ACTUAL DATE: 1/2022	DRG.NO: 05
----------------------------	-------------------

OWNER: AFGHAN TELECOM	OWNER:
---------------------------------	---------------

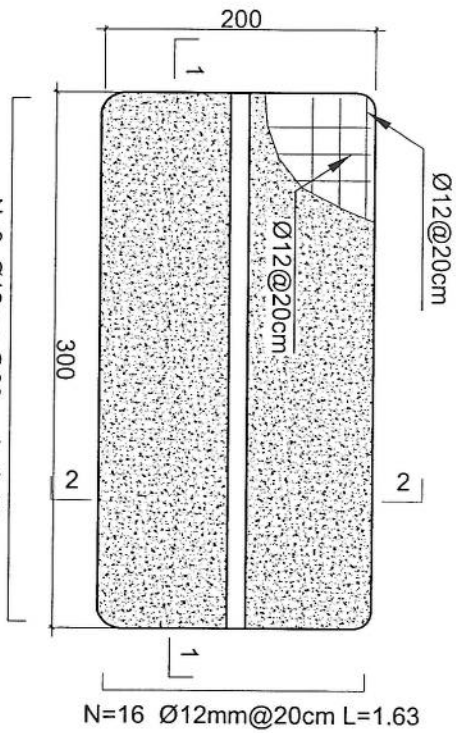
Salam Telecommunication Company KABUL AFGHANISTAN

05
 TOILET
 REF. A105
 SCALE: 1:50

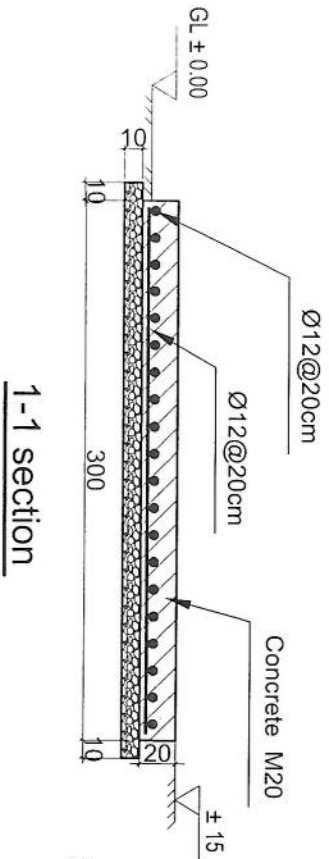
Well for toilet

Toilet

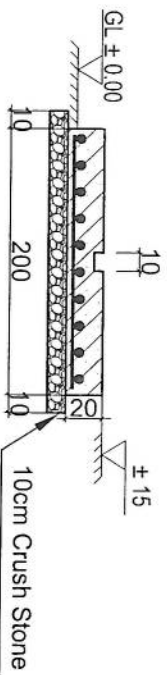
- Notes:
1. The foundation is adopts reinforced concrete, the concrete is M20; (M20:compressive strength is 20N/mm²); the foundation lays on a 10cm thick crush stone pad;
 2. Ø12: mild steel, rebars strength 210N/mm²
 3. minimum concrete cover for rebar is 3.5cm,
 4. All units are in cm
 5. All edges of the Slab should be curve



Outdoor BTS Foundation



1-1 section



2-2 section

REVISION RECORDS	
REVISION NO	DATE

LEGEND:	
	CRUSHED ROCK
	PCC
	RCC
	GROUND LEVEL

PROJECT TITLE/NO:
GSM SITES
طایفه GSM سائت

DRAWING TITLE:
ZTE OUTDOOR BTS FOUNDATION
بټس ښار

DRAWN BY:
CIVIL TEAM
CHECKED BY:
APPROVED BY:

SCALE: 1:25
ACTUAL DATE: 17/02/2020
ISSUE DATE:
DRG NO: 07

OWNER:
AFGHAN TELECOM
Salam Telecommunication Company
KABUL
AFGHANISTAN

REVISION RECORDS	
REVISION NO	DESCRIPTION
تبدیل شماره	توضیحات

LEGEND:

	کاشی پاره شده
	سازه بتنی

PROJECT TITLE / NO:
GSM SITES

عنوان پروژه / شماره پروژه
سایتهای GSM

DRAWING TITLE:
SUN SHELTER FOR ZTE BTS
سایه بان برای ایستگاه BTS

DRAWN BY: 3-5
CIVIL TEAM

CHECKED BY: 3-5
CIVIL TEAM

APPROVED BY: 3-5
CIVIL TEAM

SCALE: 1:50

ACTUAL DATE: 23/02/2025

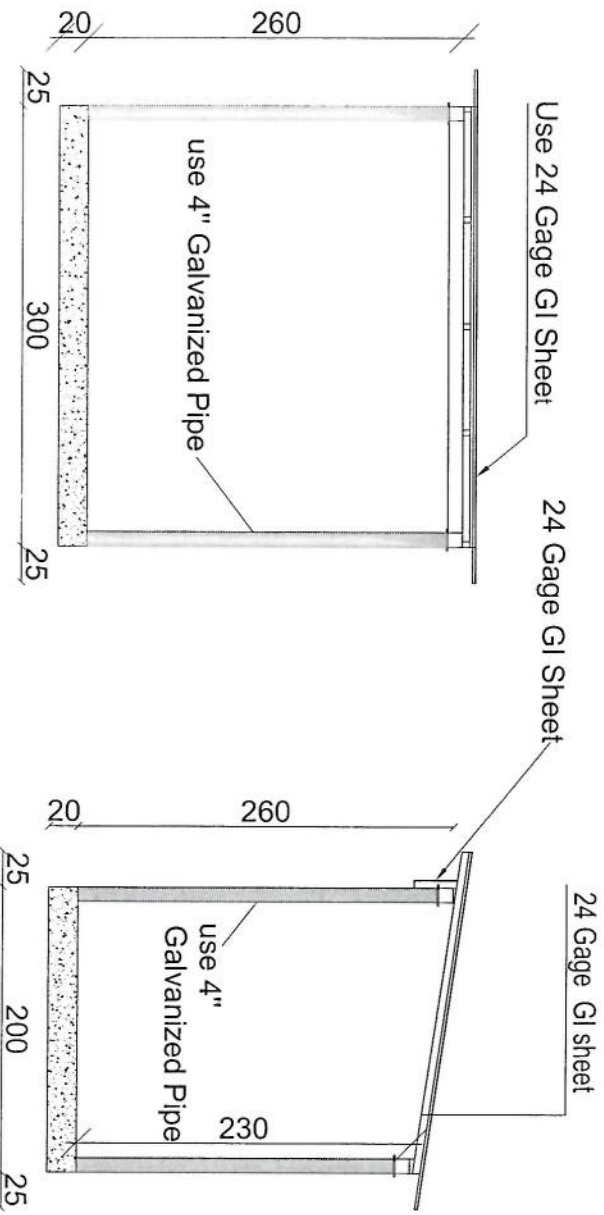
ISSUE DATE: 23/02/2025

DRGNO: 97

OWNER: طالب پلانی

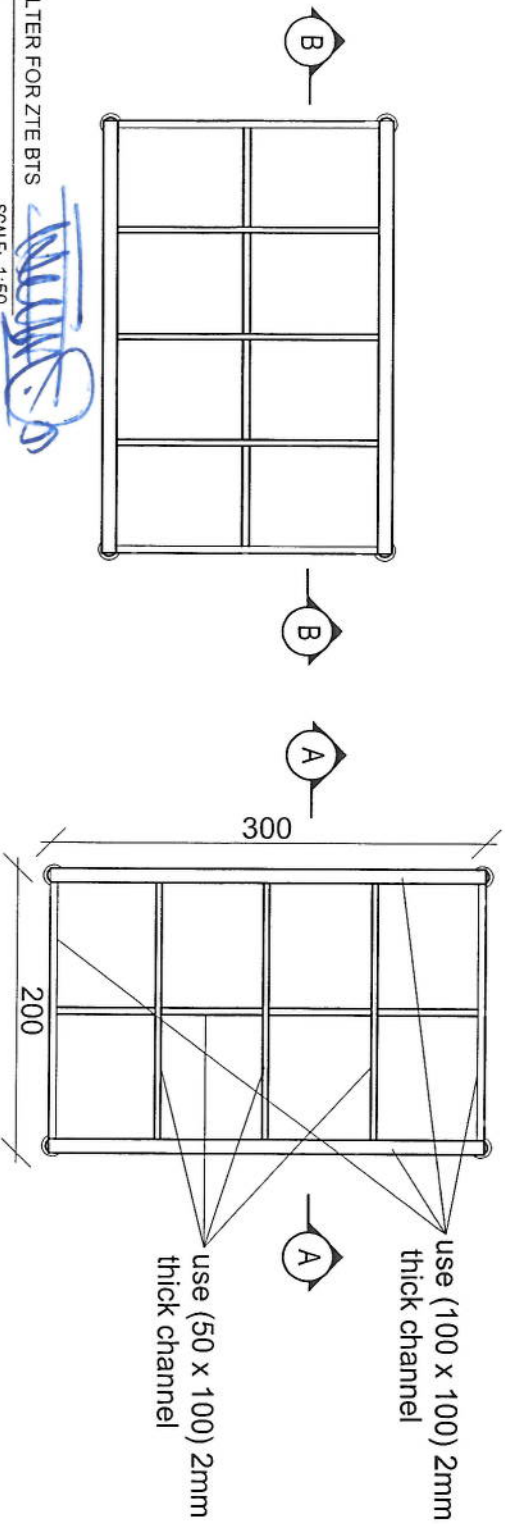
AFGHAN TELECOM

Salam Telecommunication Company
KABUL
AFGHANISTAN



Section BB

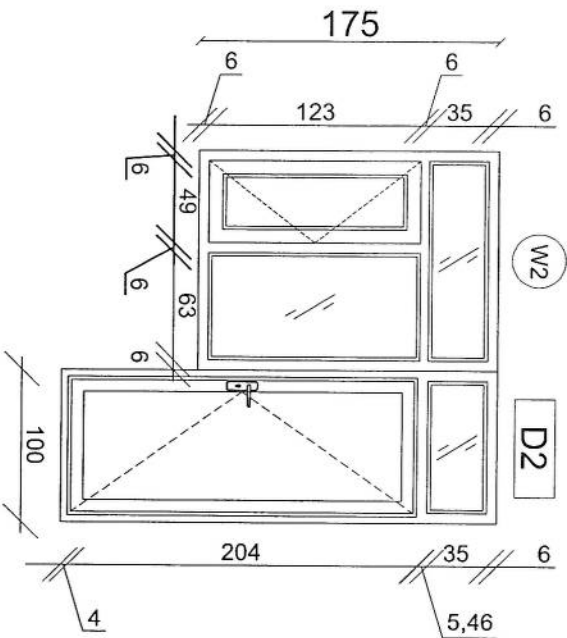
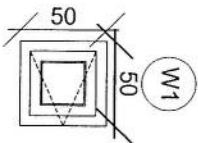
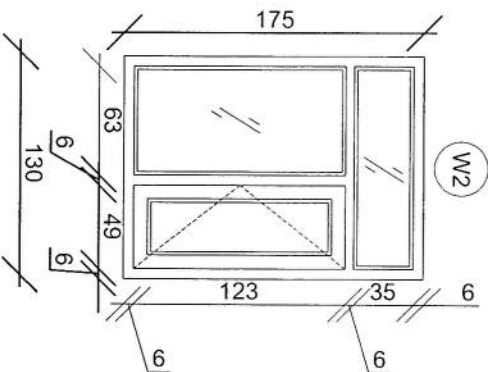
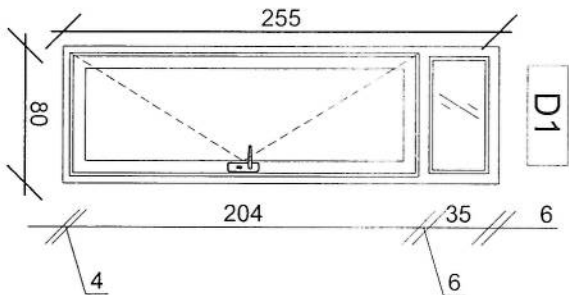
Section AA



SUN SHELTER FOR ZTE BTS
REF. A107
SCALE: 1:50

[Handwritten signature]

[Handwritten signature]



REVISION RECORDS	
REVISION NO	DESCRIPTION
تغییر شماره	توضیحات

LEGEND:

- (W1) WINDOW TYPE 1
- (W2) WINDOW TYPE 2
- (D1) DOOR TYPE 1
- (D2) DOOR TYPE 2
- (D3) DOOR TYPE 3

PROJECT TITLE / NO:

GSM SITES

DRAWING TITLE:

DOORS & WINDOWS DETAILS

DRAWN BY:

CIVIL TEAM

CHECKED BY:

APPROVED BY:

SCALE:

1:25

ACTUAL DATE:

17/02/2026

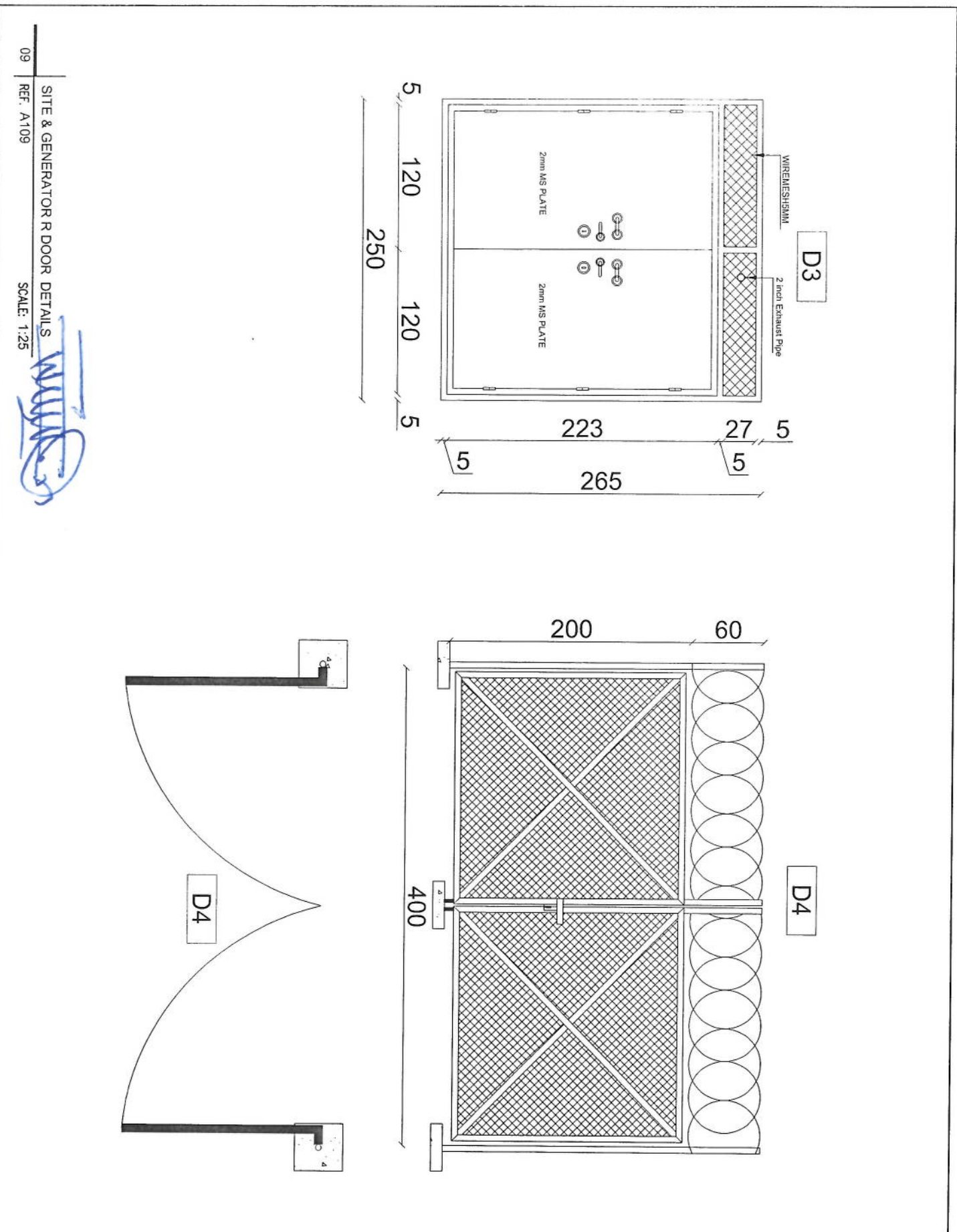
ISSUE DATE:

DRG.NO: 08

OWNER:

AFGHAN TELECOM

Saleem Telecommunication Company
KABUL
AFGHANISTAN



09 SITE & GENERATOR R DOOR DETAILS
 REF: A109 SCALE: 1:25

M. M. M.

REVISION RECORDS	
REVISION NO	DATE

LEGEND:	
	BRICK FIELD
	DOOR TYPE 3
	DOOR TYPE 4

PROJECT TITLE/NO:
 GSM SITES
 ډیټا ځایونه

DRAWING TITLE:
 SITE & GENERATOR R DOOR
 DETAILS
 ډیټا ځایونه ر ډور

DRAWN BY:
 CIVIL TEAM

CHECKED BY:

APPROVED BY:

SCALE: 1:25
 ACTUAL DATE: 17/02/2025
 ISSUE DATE: DRG NO: 09

OWNER:
 AFGHAN TELECOM
 ساتلیم ساتلیم
 Salim Telecomunication Company
 KABUL
 AFGHANISTAN

[Handwritten signature]



TOWER TYPE "AK1"

LATTICE Tower:40m
Loading-EPA=10 -Wind speed 160km/h

5

4

3

2

1

A
B
C
D
E
F
G

A B C D E F G



[Handwritten signature]

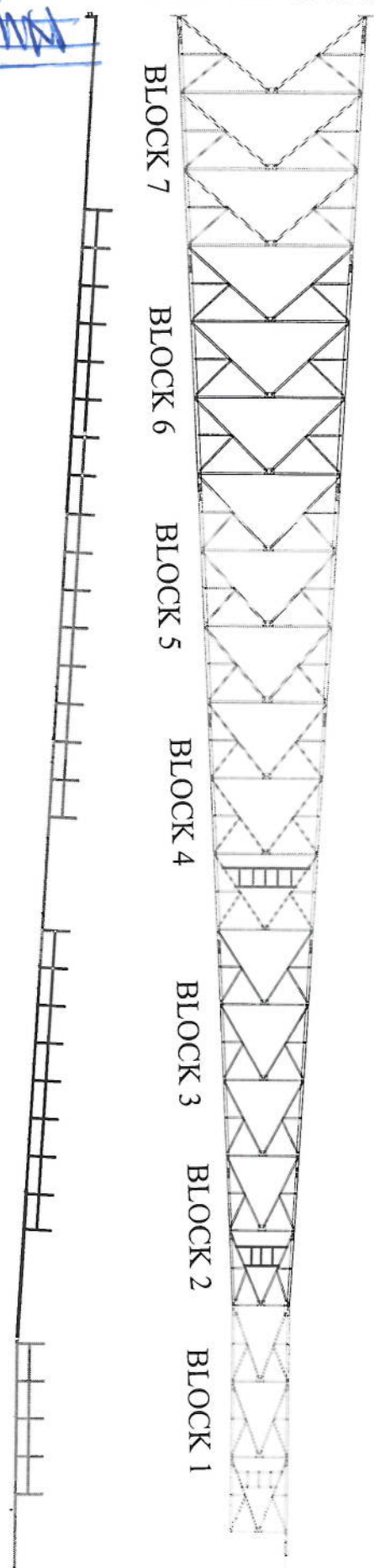
TOTAL WEIGHT IN 40 M G.F TOWER		
BLOCK NO.	BLOCK HEIGHT (M)	WEIGHT
BLOCK 1	6	705.96 kg
BLOCK 2	4	473.02 kg
BLOCK 3	6	650.17 kg
BLOCK 4	6	938.12 kg
BLOCK 5	6	1036.82 kg
BLOCK 6	6	1267.39 kg
BLOCK 7	6	1508.92 kg
LADDER		740.09 kg
SUPPORTER		161.29 kg
BASE		524.41 kg
TOTAL		8006.20 kg

LATTICE Tower:40m
 Loading-EPA=10 -Wind speed 160km/h
 APPROVAL DRAWING
 TOWER TYPE "AK1"

G T F D C B A

RED	WHITE	RED	WHITE	RED
-----	-------	-----	-------	-----

40M TOWER VIEW



REV	2	FIRST ISSUE	DATE	
REV	1	APPROVAL DRAWING	DATE	
CLIENT: AFGHAN TELECOM				
TITLE: APPROVAL DRAWING FOR TOWER TYPE 40-160-EPA10(AK1-40m)				
CONTRACTOR: SUITAN MYSOOM				
DESIGN AND MANUFACTURER: DARALAZAN KALAN CO.				
SCALE: 1 OF: 20				

5

4

3

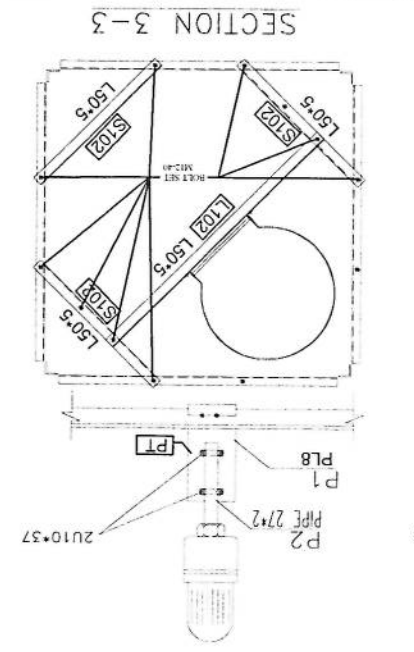
2

1

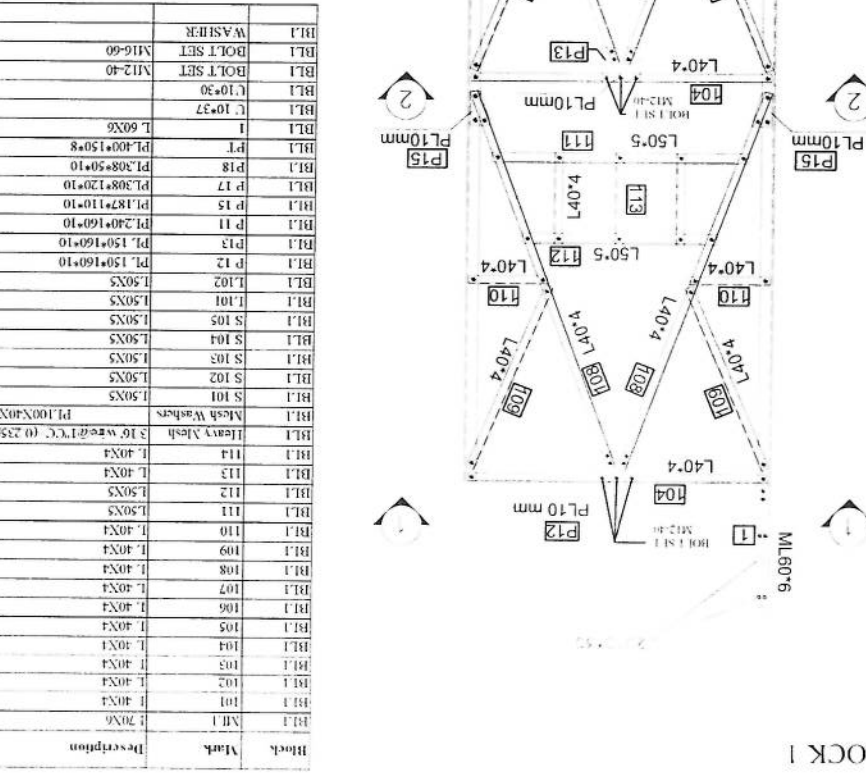
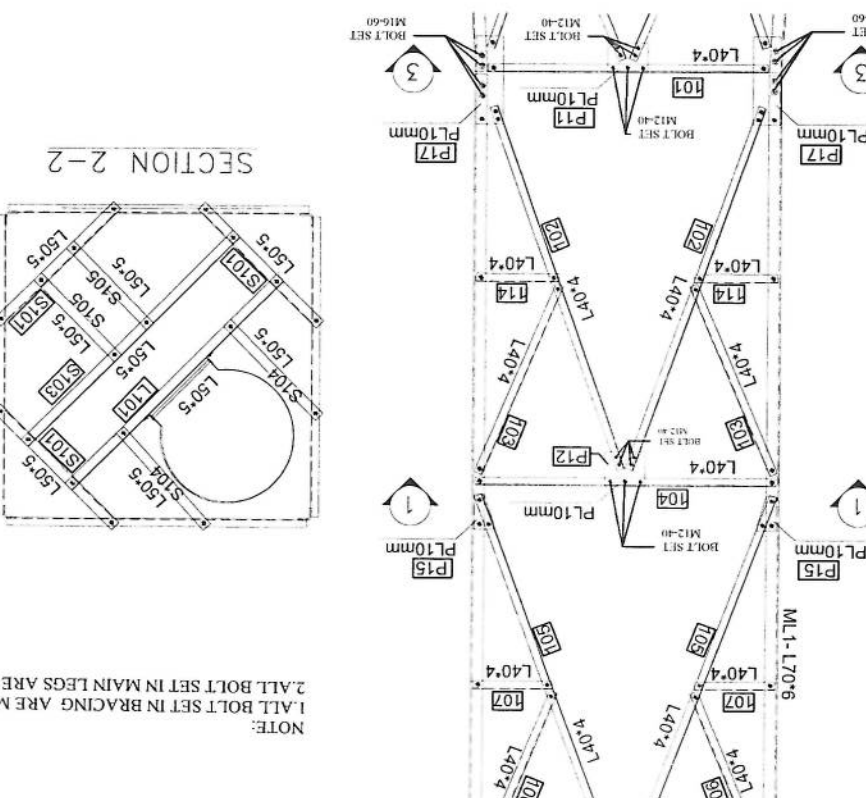
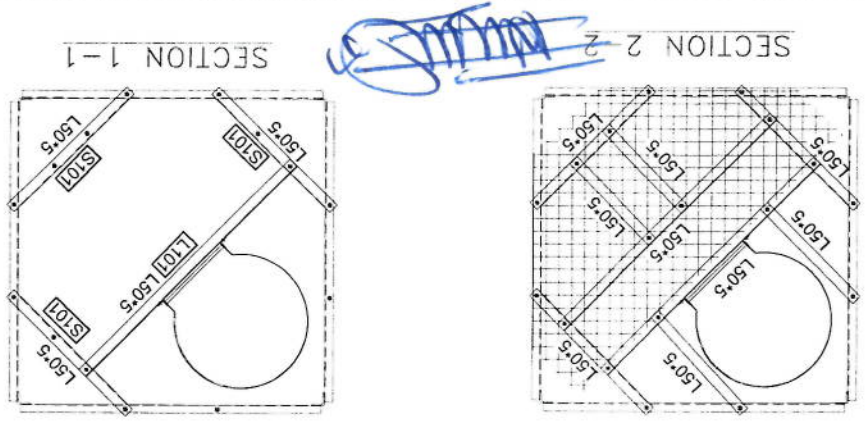
REV	DATE	BY	CHKD	APPD	DESCRIPTION
0	1 OF 20				
DAKKASZAN DING NO. 1 FORWARD: AT DESIGN STAGE: DEPT. DESIGN DAKKASZAN KALAN CO. DESIGN AND MANUFACTURER SUTUN MYROOM CONTRACTOR FOR TOWER TYPE 4D-160-EPA10(AK1-40M) APPROVAL DRAWING AFGHAN TELECOM CLIENT					
DATE	TIME	DESIGNER	CHECK	APPROVED	DATE

PROFILES GRADE LEGEND

1-L = ST37
 2-ML = ST50
 3-HT = ST52
 4-ALL JOINT PLATES ARE ST52



Block	Mark	Description	Length	WEIGHT	NUMBER	TOTAL WEIGHT
BL1	ML1	ML1	0	38.958	4	155.9832
BL1	HT1	L 40X4	1.58	3.39716	4	13.58884
BL1	HT1	L 40X4	1.925	4.738725	4	17.9549
BL1	HT1	L 40X4	2.4075	6.075436	8	48.603488
BL1	HT1	L 40X4	1.175	3.010075	8	24.0806
BL1	HT1	L 40X4	2.04	5.021868	8	40.174944
BL1	HT1	L 40X4	1.004	2.4715468	8	19.7723744
BL1	HT1	L 40X4	0.375	0.9231375	8	7.3851
BL1	HT1	L 40X4	1.21	3.186699	4	12.746796
BL1	HT1	L 40X4	0.88	2.308072	4	9.232288
BL1	HT1	L 40X4	0.495	1.2183415	12	14.622498
BL1	HT1	L 40X4	0.396	0.9748332	8	7.7986656
BL1	HT1	Heavy Mesh	2.5	28.325	1	28.325
BL1	HT1	Mesh Washers	PL100X40X8	0.2575	1	2.575
BL1	HT1	L 50X5	0.8	3.07325	9	27.6618
BL1	HT1	L 50X5	0.855	3.2848245	3	9.8544735
BL1	HT1	L 50X5	1.465	5.6283835	1	5.6283835
BL1	HT1	L 50X5	0.599	2.3012981	2	4.6025962
BL1	HT1	L 50X5	0.569	2.1860411	2	4.3720822
BL1	HT1	L 50X5	1.465	5.6283835	3	16.8851505
BL1	HT1	L 50X5	1.149	3.5669131	1	3.5669131
BL1	HT1	L 50X5	1.9364	7.9364	1	7.9364
BL1	HT1	PL 150*160*10	8	15.4912	1	15.4912
BL1	HT1	PL 150*160*10	4	7.7456	1	7.7456
BL1	HT1	PL 240*160*10	1	3.1003	4	12.4012
BL1	HT1	PL 187*110*10	1	1.6583	16	26.5328
BL1	HT1	PL 308*120*10	1	2.987	8	23.896
BL1	HT1	PL 308*50*10	1	1.2463	8	9.9704
BL1	HT1	PL 400*150*8	1	3.8831	1	3.8831
BL1	HT1	L 60X6	0.6	3.31866	1	3.31866
BL1	HT1	C 10*37	1	0.206	2	0.412
BL1	HT1	L 120*30	1	0.206	2	0.412
BL1	HT1	ML1-2-40	1	0.06798	410	27.8718
BL1	HT1	ML1-60	1	0.16274	32	5.20768
BL1	HT1	WASHER	1	0.008446	412	3.73132
BL1	HT1	WASHER	1	0.008446	412	3.73132



A B C D E F G

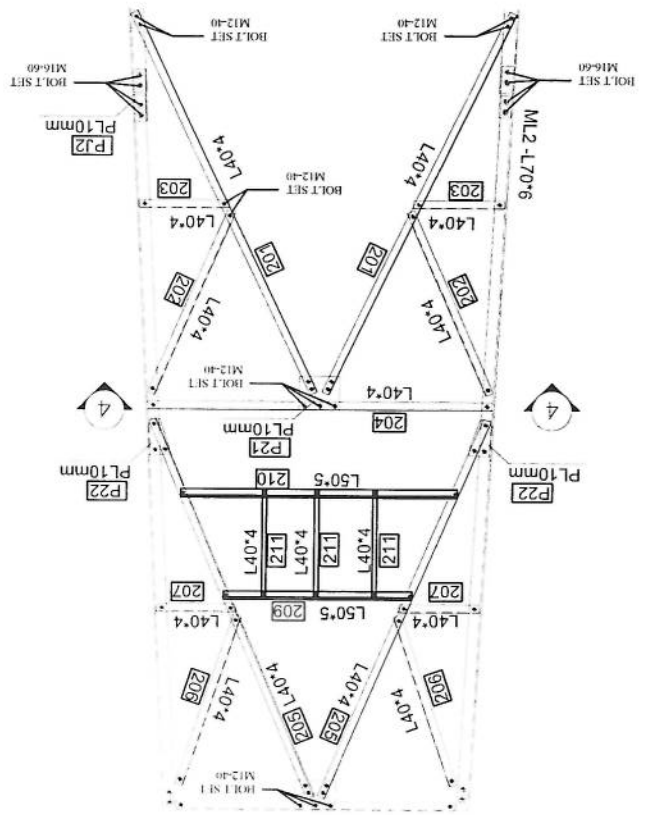
Block	Mark	Description	Length	WEIGHT	Qty	Total Weight
BL.2	ML.2	L.70X6	4.005	26.02965	4	104.11876
BL.2	L.40X4	L.40X4	2.303	5.662951	8	45.354368
BL.2	L.40X4	L.40X4	1.083	2.6660211	8	21.3281688
BL.2	L.40X4	L.40X4	0.425	1.046225	8	8.36978
BL.2	L.40X4	L.40X4	1.69	4.160273	4	16.641092
BL.2	L.40X4	L.40X4	2.32	5.711144	8	45.689152
BL.2	L.40X4	L.40X4	1.115	2.7447955	8	21.958364
BL.2	L.40X4	L.40X4	0.37	0.910829	8	7.286632
BL.2	L.50X5	L.50X5	0.96	3.688224	4	14.752896
BL.2	L.50X5	L.50X5	1.38	5.301822	4	21.207288
BL.2	L.40X4	L.40X4	0.585	1.4400945	12	17.281134
BL.2	S.201	L.50X5	0.877	3.3693463	3	10.1080389
BL.2	S.202	L.50X5	0.519	1.9939461	4	7.9757844
BL.2	S.203	L.50X5	0.579	2.2244601	2	4.4489202
BL.2	L.201	L.50X5	1.723	6.6195937	1	6.6195937
BL.2	L.202	L.50X5	1.723	6.6195937	3	19.8587811
BL.2	Washer	PL.100X40X8	1	0.2575	10	2.575
BL.2	Bot Set	M16-60	1	0.16274	32	5.20768
BL.2	Bot Set	M12-40	1	0.06798	304	20.66592
BL.2	P.21	PL.240*160*10	1	3.1003	4	12.4012
BL.2	P.22	PL.119*110*10	1	1.0609	8	8.4872
BL.2	P.22	PL.320*60*10	1	1.5553	8	12.4424
BL.2	MJ.2	L.60X6	0.32	1.769952	4	7.079808
BL.2	MESH	HEVY MESH	2.5	28.325	1	28.325
BL.2	WASHER		1	0.008446	336	2.837856
Total					473.02 Kg	

M. M. M. M. M.

SCALE: 1 OF 20
 DAKALSAZAN DWG NO: 1
 SEV: SH. / 107A
 DESIGN AND MANUFACTURER: DAKALSAZAN MALAN CO.
 CONTRACTOR: SUTUN MYROOM
 TITLE: APPROVAL DRAWING FOR TOWER TYPE 40-160-EPA10(AK1-40m) PANEL 4
 CLIENT: AFGHAN TELECOM
 REV: 2
 DESCRIPTION: APPROVAL DRAWING FOR TOWER TYPE 40-160-EPA10(AK1-40m) PANEL 4
 DATE: / /

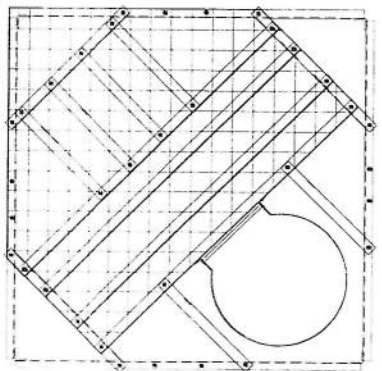
PROFILES GRADE LEGEND
 1-L = ST37
 2-ML = ST50
 3-HT = ST52
 4-ALL JOINT PLATES ARE ST52

BLOCK 2

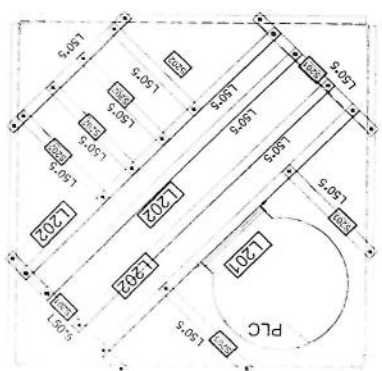


NOTE:
 1. ALL BOLT SET IN BRACING ARE M12-40
 2. ALL BOLT SET IN MAIN LEGS AND JOINT ARE M16-60
 3. ALL PLATE AND JOINT PLATE ARE PLATE 10mm

SECTION 4-4



SECTION 7-7



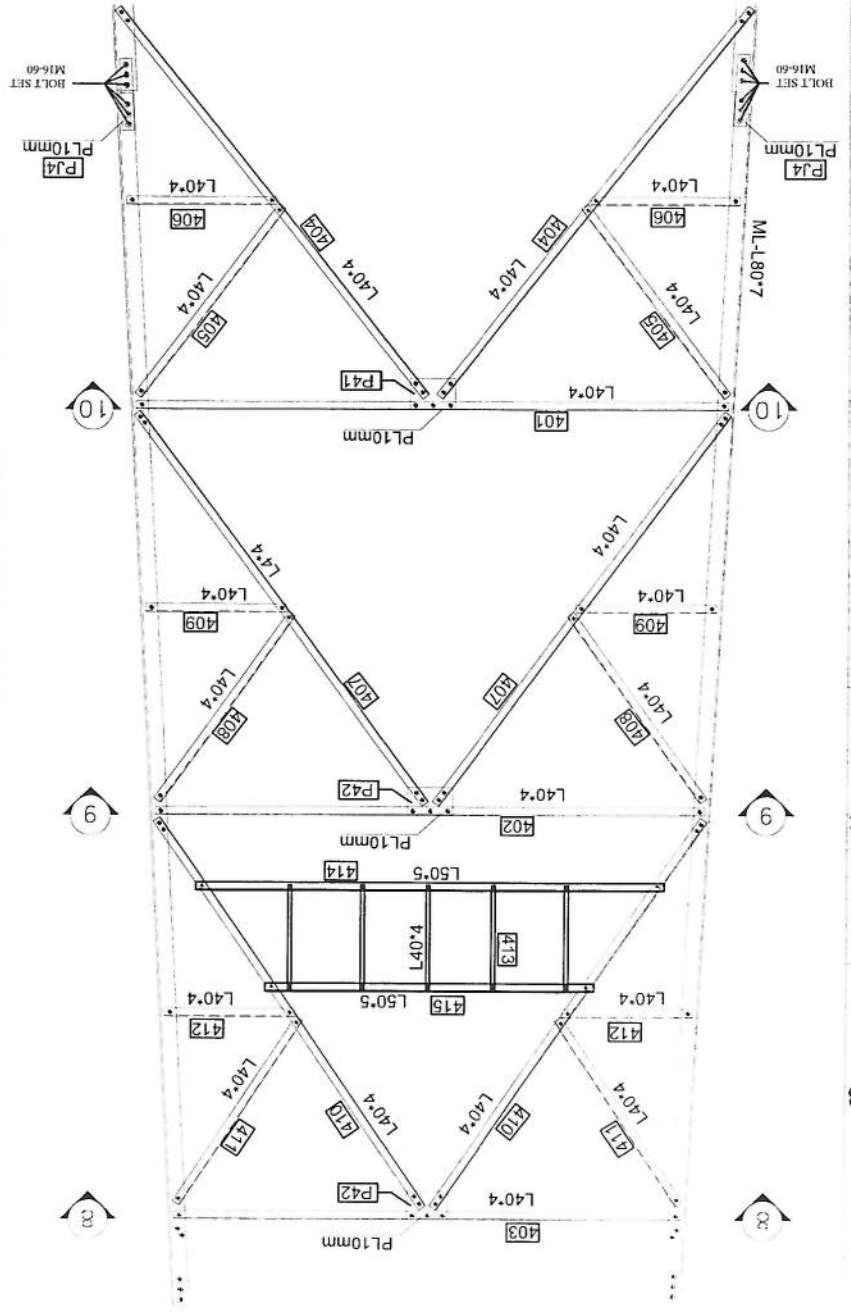
REV.	SH.	TOTAL	0	1	0
SCALE: DAKHSAZAN DWG. NO. 1 OF 20					
 					
DAKHSAZAN DARAZAN CO. DESIGN AND MANUFACTURER CONTRACTOR					
TITLE: APPROVAL DRAWING FOR TOWER TYPE 40-160-EPA10(AK1-40m) PANEL 4					
CLIENTS: AFGHAN TELECOM					
REV.	DATE	BY	CHECK	DATE	DATE
2	15/05/2016	ADH	ADH	---	---
1	15/05/2016	ADH	ADH	---	---

PROFILES GRADE LEGEND

1-L=ST37
 2-ML=ST50
 3-HT=ST52
 4-ALL JOINT PLATES ARE ST52

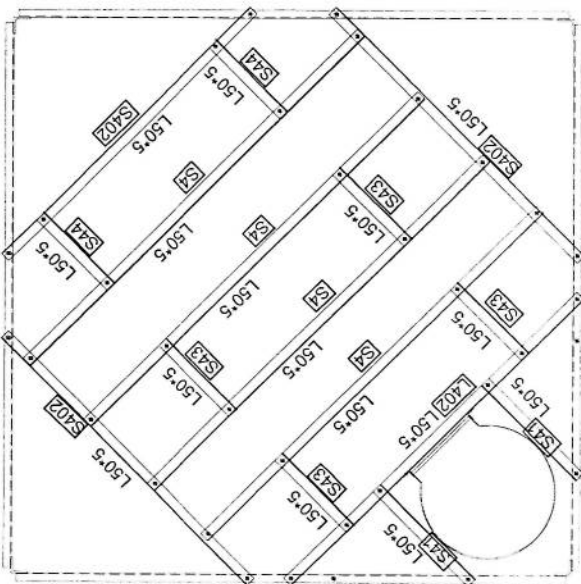
(Handwritten signature)

BLOCK 4

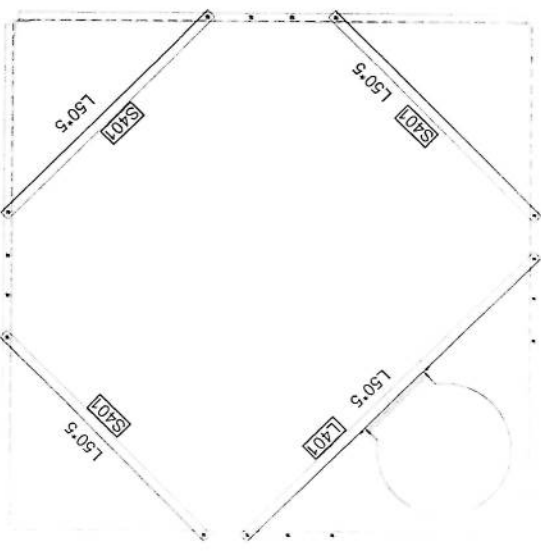


NOTE:
 1-ALL BOLT SET IN BRACING ARE M12-40
 2-ALL BOLT SET IN MAIN LEGS AND JOINT ARE M16-60
 3-ALL PLATE AND JOINT PLATE ARE PLATE 10mm

SECTION 9-9



SECTION 8-8



A B C D E F G

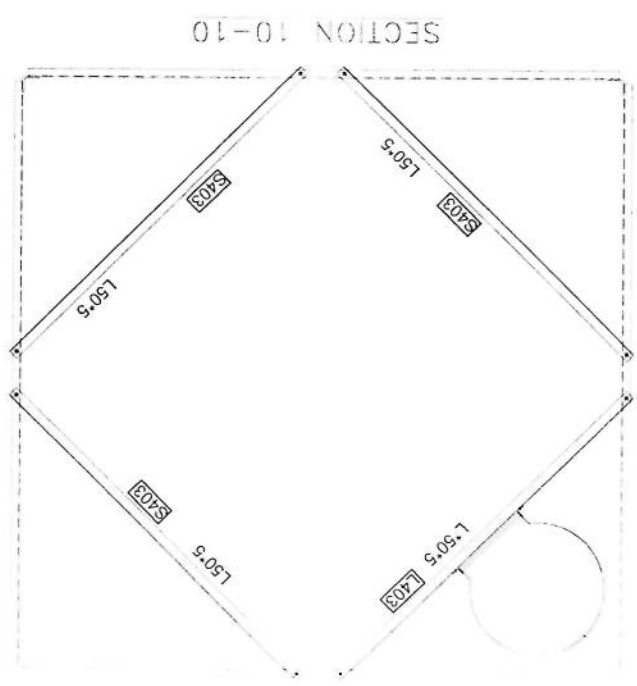
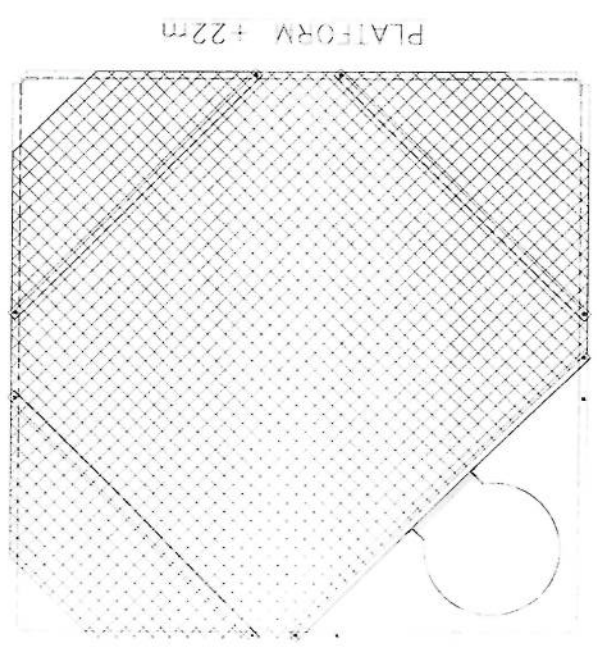
1 2 3 4 5

A B C D F G

Block	Mark	Description	Length	WEIGHT	Qty	Total Weight
BL4	ML4	L80X7	6.005	52.0171115	4	208.068446
BL4	L40X4	L40X4	2.955	7.2743235	4	29.097294
BL4	L40X4	L40X4	2.75	6.796675	4	27.0787
BL4	L40X4	L40X4	2.534	6.2379478	4	24.9517912
BL4	L40X4	L40X4	2.444	6.0163948	8	48.1311584
BL4	L40X4	L40X4	1.185	2.9171145	8	23.336916
BL4	L40X4	L40X4	0.71	1.747807	8	13.982456
BL4	L40X4	L40X4	2.38	5.858846	8	46.870768
BL4	L40X4	L40X4	1.158	2.8506486	8	22.8051888
BL4	L40X4	L40X4	0.664	1.6345688	8	13.0765504
BL4	L40X4	L40X4	2.321	5.7136057	8	45.7088456
BL4	L40X4	L40X4	1.132	2.7866444	8	22.2931552
BL4	L40X4	L40X4	0.617	1.5188689	8	12.1509512
BL4	L40X4	L40X4	2.293	8.8094767	4	35.2379058
BL4	L40X4	L40X4	0.545	1.3416265	20	26.8323
BL4	L40X4	L40X4	1.59	6.108621	4	24.434484
BL4	L401	L50X5	1.995	7.6645905	1	7.6645905
BL4	S401	L50X5	1.519	5.8358461	3	17.5075383
BL4	S402	L50X5	1.7	6.53123	3	19.59369
BL4	S403	L50X5	1.986	7.6300134	3	22.8900402
BL4	L402	L50X5	1.986	7.6300134	1	7.6300134
BL4	L403	L50X5	1.986	7.6300134	1	7.6300134
BL4	S4	L50X5	1.387	5.3287153	4	21.3148612
BL4	S44	L50X5	0.61	2.343559	2	4.687118
BL4	S41	L50X5	0.62	2.381978	2	4.763956
BL4	S43	L50X5	0.467	1.7941673	4	7.1766692
BL4	P41	PL300*200*10	1	4.8513	4	19.4052
BL4	P42	PL300*200*10	1	4.8513	4	19.4052
BL4	P43	PL300*200*10	1	4.8513	4	19.4052
BL4	M14	L70X6	0.42	2.729706	4	10.918824
BL4	P14	PL420*80*10	1	2.712	8	21.7536
BL4	Boilt Set	M16-60	1	0.16274	64	10.41536
BL4	Boilt Set	M12-40	1	0.06798	372	25.28856
BL4	Washer	PL100X40X8	1	0.2575	20	5.15
BL4	MESH	HEVY MESH	5.1	57.783	1	57.783
BL4	WASHER		1	0.008446	436	3.682456
Total Weight						938.12 Kg

[Handwritten signature]

SCALE: 0
 REV: 01 / 20
 DAKA SAZAN DMS NO.
 DESIGN AND MANUFACTURER: DAKA SAZAN KALAN CO.
 CONTRACTOR: SUYUN MYSOOM
 TITLE: APPROVAL DRAWING FOR TOWER TYPE 40-160-EPA10(AK1-40m) PANEL 4
 CLIENT: AFGHAN TELECOM
 DATE: / /
 DESIGNED BY: / /
 CHECKED BY: / /
 APPROVED BY: / /



1

2

3

4

5

1 of 20

DAKALSAZAN DWG. NO. 1036.82 Kg

SCALE: SH. / TDA

DESIGN AND MANUFACTURER: DAKALSAZAN KALAN CO.

CONTRACTOR: SUTUN MYSROOM

TITLE: APPROVAL DRAWING FOR TOWER TYPE 40-160-EPA10(AK1-40m) PANEL 4

CLIENT: AFGHAN TELECOM

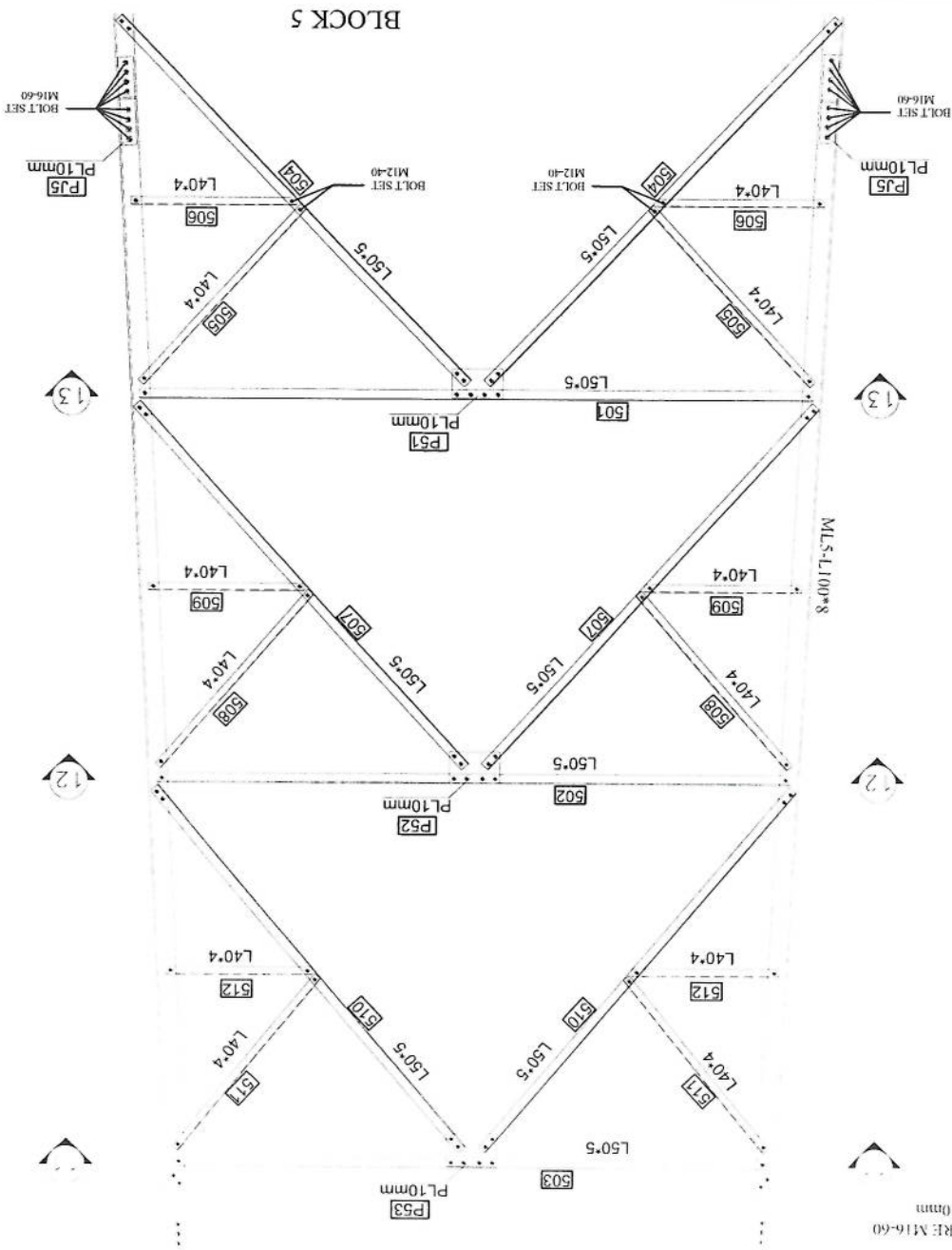
REV. 2

DATE

Block	Mark	Description	Length	WEIGHT	Qty	Total Weight
B15	M15	L100X8	6.005	74.592909	4	298.371636
B15	S01	L50X5	3.588	13.7847372	4	55.1389488
B15	S02	L50X5	3.382	12.9933058	4	51.9732232
B15	S03	L50X5	3.177	12.2057163	4	48.8228652
B15	S04	L50X5	2.648	10.1733512	8	81.3868096
B15	S05	L40X4	1.24	3.052508	8	24.420064
B15	S06	L40X4	0.818	2.0136706	8	16.1093648
B15	S07	L50X5	2.577	9.9005763	8	79.2046104
B15	S08	L40X4	1.208	2.9737336	8	23.7898888
B15	S09	L40X4	0.771	1.8979707	8	15.1837656
B15	S10	L50X5	2.514	9.6585366	8	77.2682928
B15	S11	L40X4	1.177	2.8974209	8	23.1793672
B15	S12	L40X4	0.724	1.7822708	8	14.2581664
B15	S03	L60X5	1.98	9.197694	3	27.593082
B15	P51	PL260*180*10	3.7801	3.7801	4	15.1204
B15	P52	PL260*180*10	3.7801	3.7801	4	15.1204
B15	P53	PL260*180*10	3.7801	3.7801	4	15.1204
B15	M16-60	M16-60	0.16274	0.16274	64	10.41536
B15	M12-40	M12-40	0.06798	0.06798	288	19.57824
B15	M15	L80X7	3.638166	3.638166	4	14.552664
B15	P15	PL420*90*10	3.0591	3.0591	8	24.4728
B15	Washer	Washer	0.008446	0.008446	350	2.9561
Total						1036.82 Kg

Handwritten signature in blue ink.

BLOCK 5



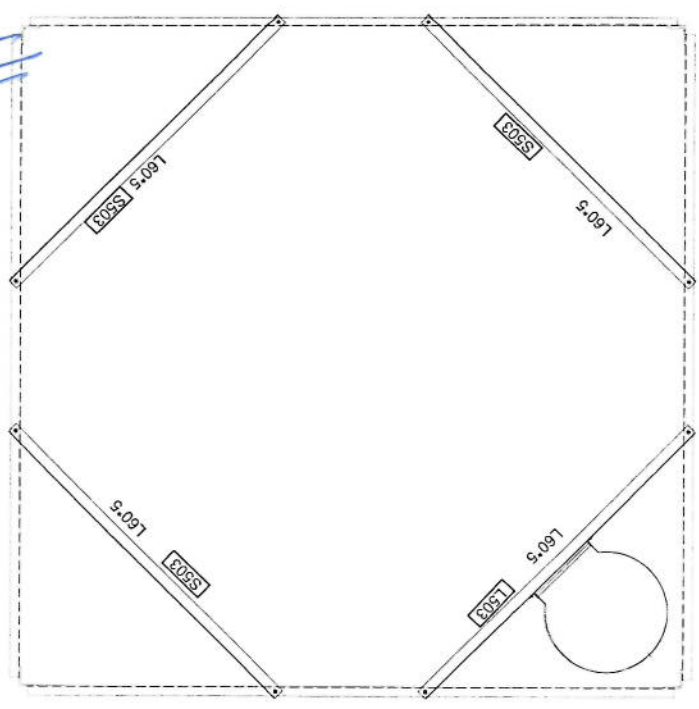
NOTE:
 1 ALL BOLT SET IN BRACING ARE M12-40
 2 ALL BOLT SET IN MAIN LEGS AND JOINT ARE M16-60
 3 ALL PLATE AND JOINT PLATE ARE PLATE 10mm

A
B
C
D
E
F
G

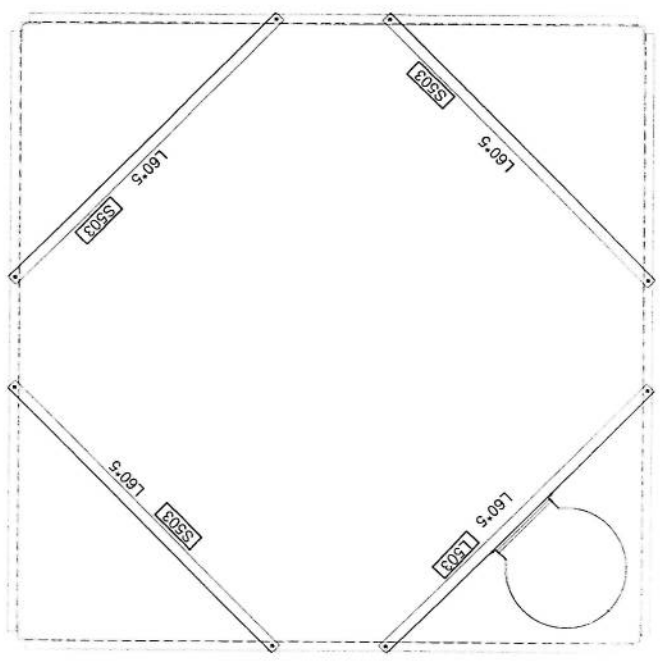
REV	0	OF 20
SCALE	1:1	
FORMAT	A7	
DESIGN STAGE	DETAILED DESIGN	
DAKALSAZAN DMC NO.		
DAKALSAZAN	KALAN CO	
DESIGN AND MANUFACTURER		
CONTRACTOR	SULTAN MANSOUR	
TITLE	APPROVAL DRAWING	
CUSTOMER	AFGHAN TELECOM	
NO.	2	
DATE		
DESIGNED BY		
CHECKED BY		
DATE		

Handwritten signature in blue ink.

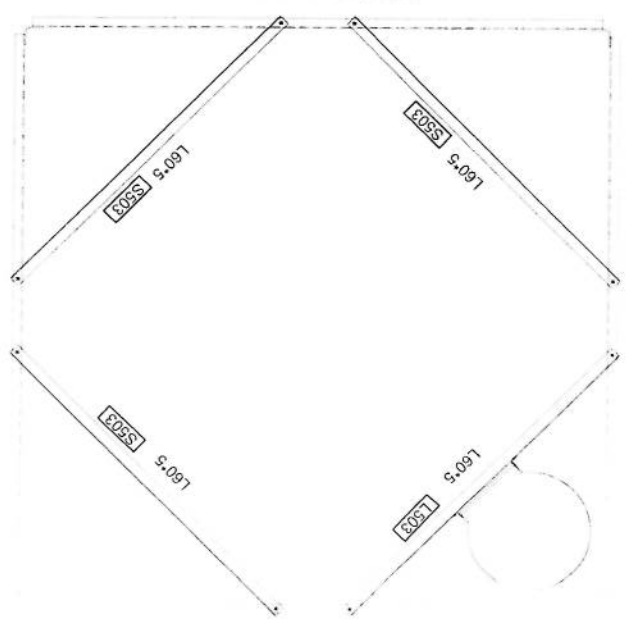
SECTION 13-13



SECTION 12-12



SECTION 11-11



A B C D E F G

1

2

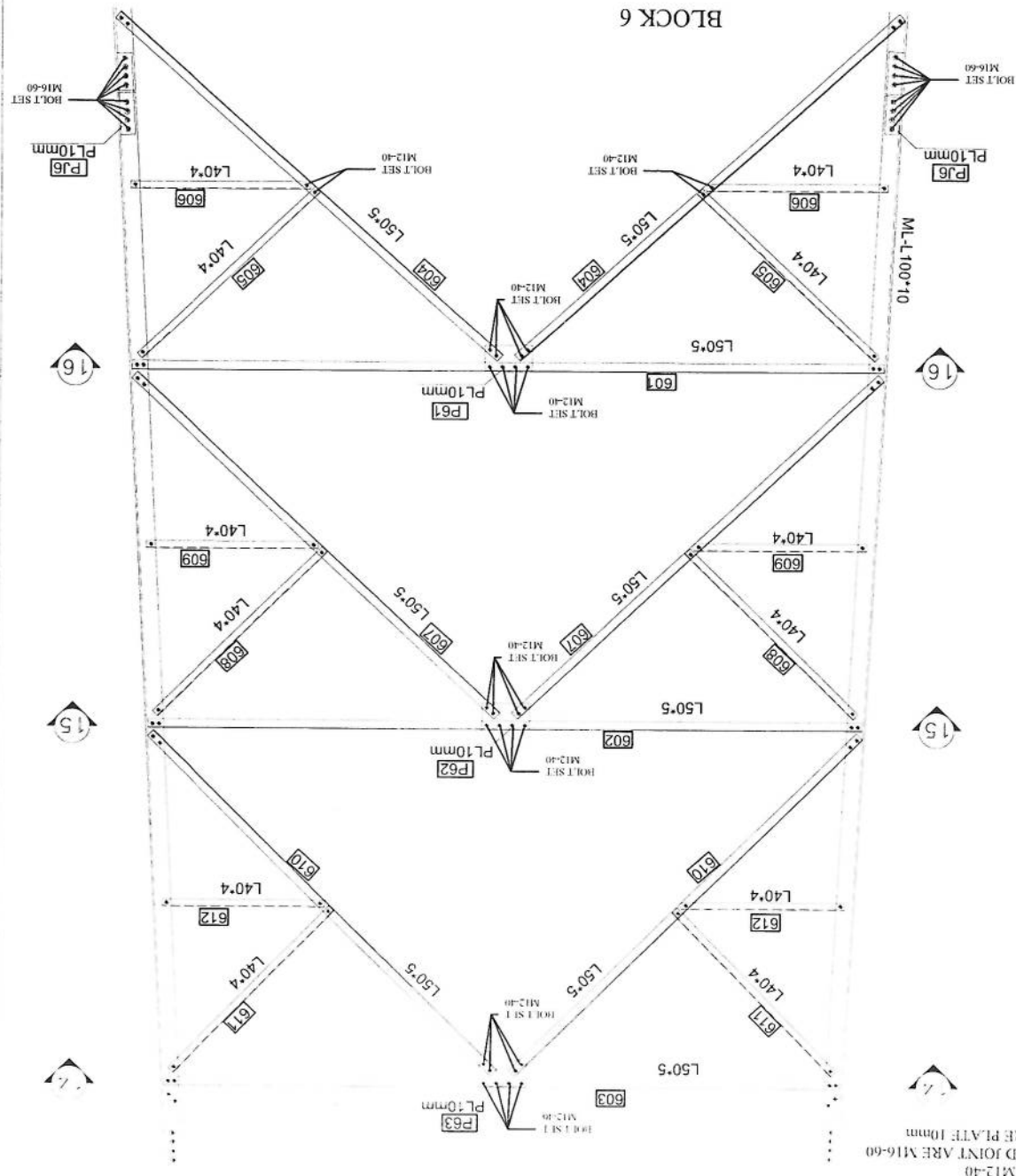
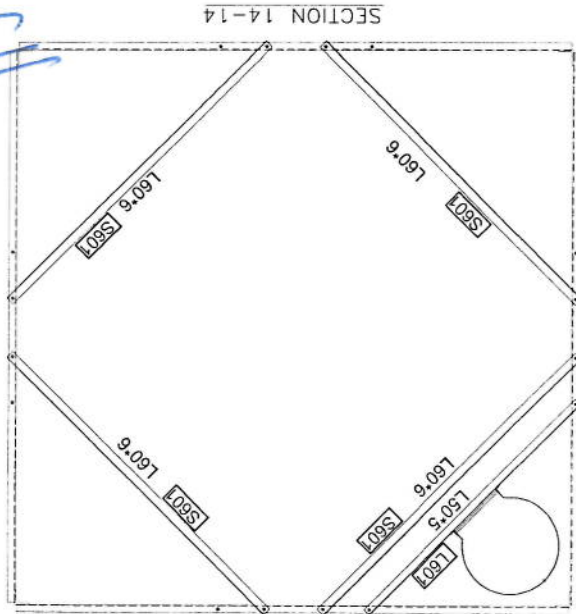
3

4

5

SCALE	0	1 OF 20
DARAKSAZAN DWG. NO.	SH. / TOTAL	EV. / TOTAL
DESIGN AND MANUFACTURER	CONTRACTOR	TITLE
DARAKSAZAN KALAN CO.	SULTAN MYSLOOM	FOR TOWER TYPE 40-160-EPA10(AK1-40m)
APPROVAL DRAWING	CLIENT	APGHAN TELECOM
DESIGN	DATE	
REVISION	DATE	

Handwritten signature/initials in blue ink.



NOTE:
 1 ALL BOLT SET IN BRACING ARE M12-40
 2 ALL BOLT SET IN MAIN LEGS AND JOINT ARE M16-60
 3 ALL PLATE AND JOINT PLATE ARE PLATE 10mm

A
B
C
D
E
F
G

1
2
3
4
5

APPROVAL DRAWING FOR TOWER TYPE 40-160-EPA10(AK)-40m

CONTRACTOR: SUJUAN MANSOOR

DESIGN AND MANUFACTURER: DARAKSAZAN BAKIN CO.

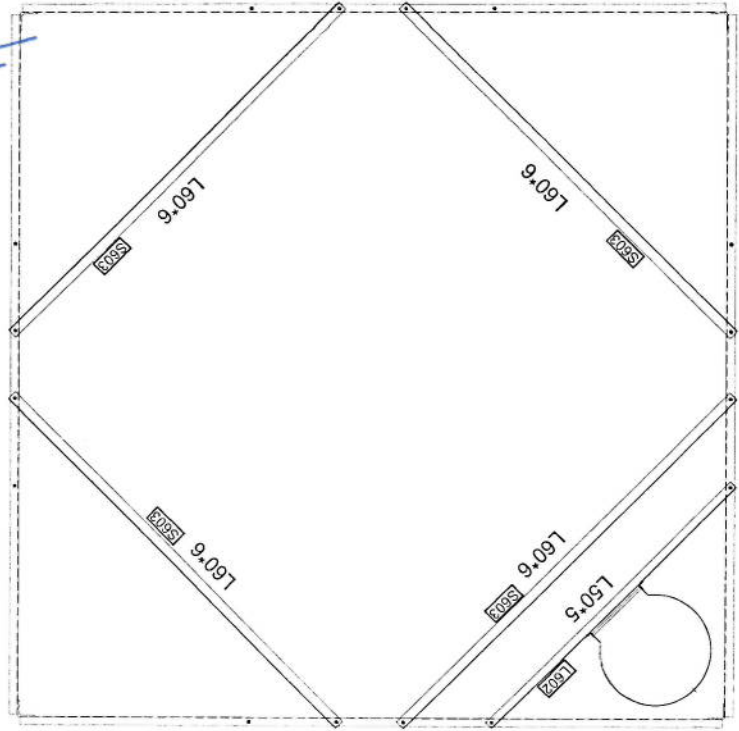
SCALE: 1:100

SECTION: SECTION 16-16

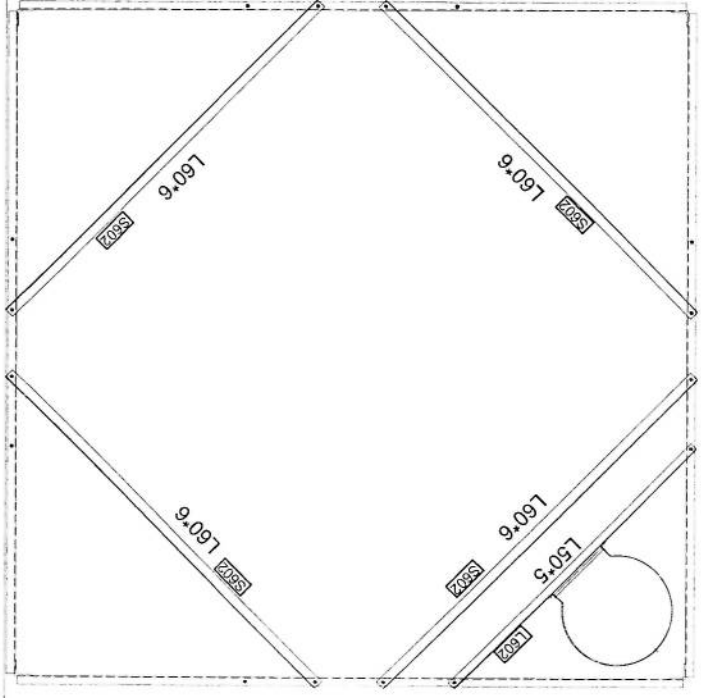
DATE: 01/07/2020

[Handwritten signature]

SECTION 16-16



SECTION 15-15



Block	Mark	Description	Length	WEIGHT	Qty	TOTAL WEIGHT
BL6	ML 6	L100X10	6.005	92.282438	4	369.129752
BL6	601	L50X5	4.205	16.1551895	4	64.620758
BL6	602	L50X5	3.999	15.3637581	4	61.4550324
BL6	603	L50X5	3.793	14.5723267	4	58.2893068
BL6	604	L50X5	2.856	10.9724664	8	87.7797312
BL6	605	L40X4	1.342	3.3036014	8	26.4288112
BL6	606	L40X4	0.954	2.3484618	8	18.7876944
BL6	607	L50X5	2.781	10.6843239	8	85.4745912
BL6	608	L40X4	1.306	3.2149802	8	25.7198416
BL6	609	L40X4	0.906	2.2303002	8	17.8424016
BL6	610	L50X5	2.708	10.4038652	8	83.2309216
BL6	611	L40X4	1.271	3.1288207	8	25.0305656
BL6	612	L40X4	0.858	2.1121386	8	16.8971088
BL6	L 601	L50X5	2	7.6838	1	7.6838
BL6	L 602	L50X5	1.999	7.6799581	2	15.3599162
BL6	S 601	L60X6	2.434	13.4626974	4	53.8507896
BL6	S 602	L60X6	2.578	14.2591758	4	57.0367032
BL6	S 603	L60X6	2.724	15.0667164	4	60.2668656
BL6	P 61	PL300*200*10	1	4.8513	4	19.4052
BL6	P 62	PL300*200*10	1	4.8513	4	19.4052
BL6	P 63	PL300*200*10	1	4.8513	4	19.4052
BL6	PJ 6	PL420*90*10	1	3.0591	8	24.4728
BL6	MJ 6	L80X7	0.42	3.638166	4	14.552664
BL6	Bolt Set	M16-60	1	0.16274	64	10.41536
BL6	Bolt Set	M12-40	1	0.06798	318	21.61764
BL6	Washer		1	0.008446	382	3.226372
Total						1267.39 Kg

NOTE: ALL BOLT SETTING BRACING ARE M12-40
 2 ALL BOLT SETTING MAINS AND JOINT ARE M16-60
 3 ALL PLATE AND JOINT PLATE ARE M16-60

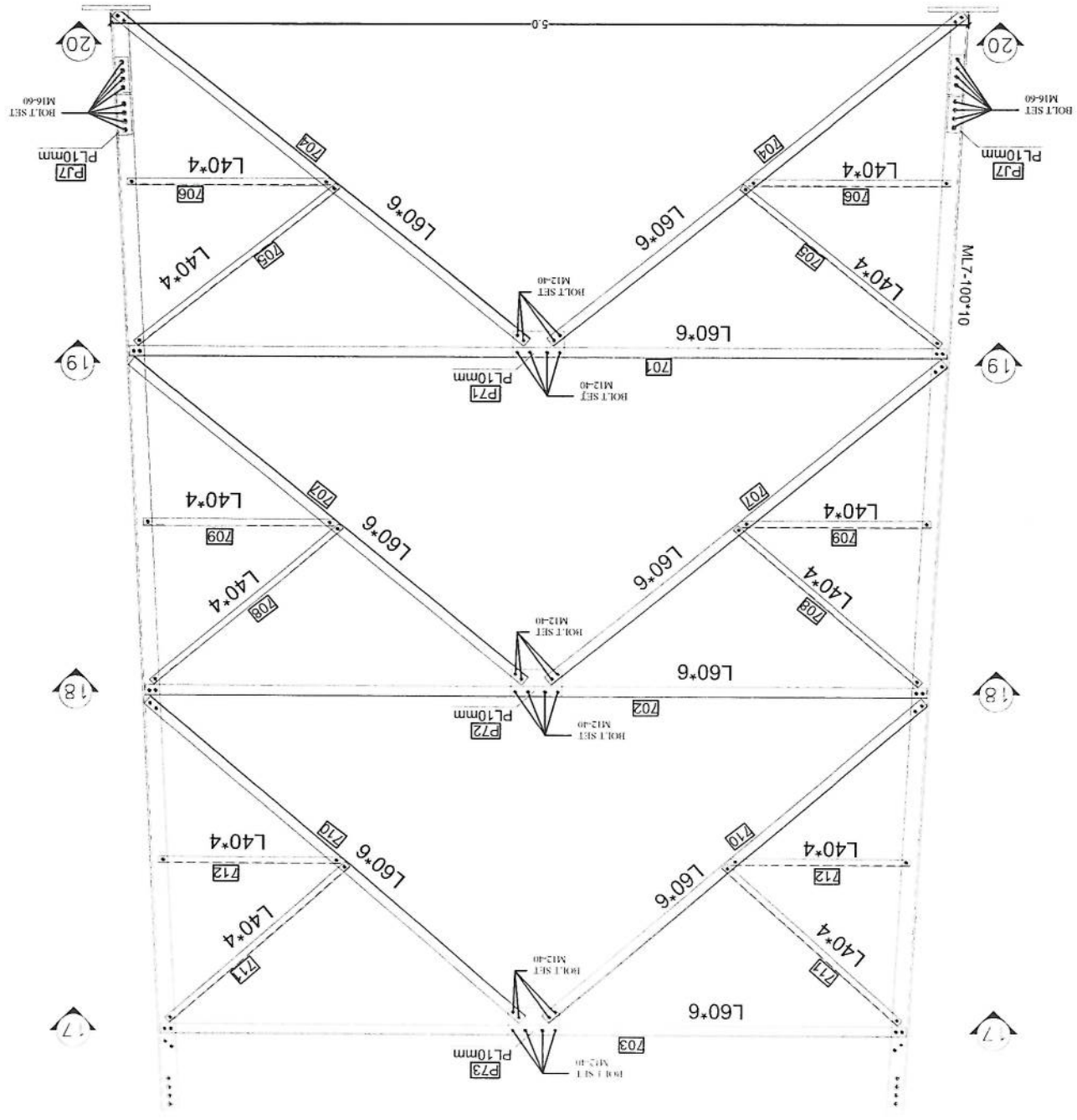
REV	SH	TOTAL
0	1	01.20
DARAKSAZAN DWG NO:		
SCALE: A1		
DESIGN STAGE: DESIGN		
DESIGN AND MANUFACTURER: DARAKSAZAN KALAN CO.		
CONTRACTOR: SUTUN MANSOOR		
TITLE: APPROVAL DRAWING FOR TOWER TYPE 40-160-EPA10(AK1-40m) PANEL 4		
CLIENT: AFGHAN TELECOM		
REV	DESCRIPTION	DATE
1	ISSUE FOR PERMIT	10/10/2010
2	REVISION	

PROFILES GRADE LEGEND

1-L=ST37
 2-ML=ST50
 3-HT=ST52
 4-ALL JOINT PLATES ARE ST52

Handwritten signature in blue ink.

BLOCK 7

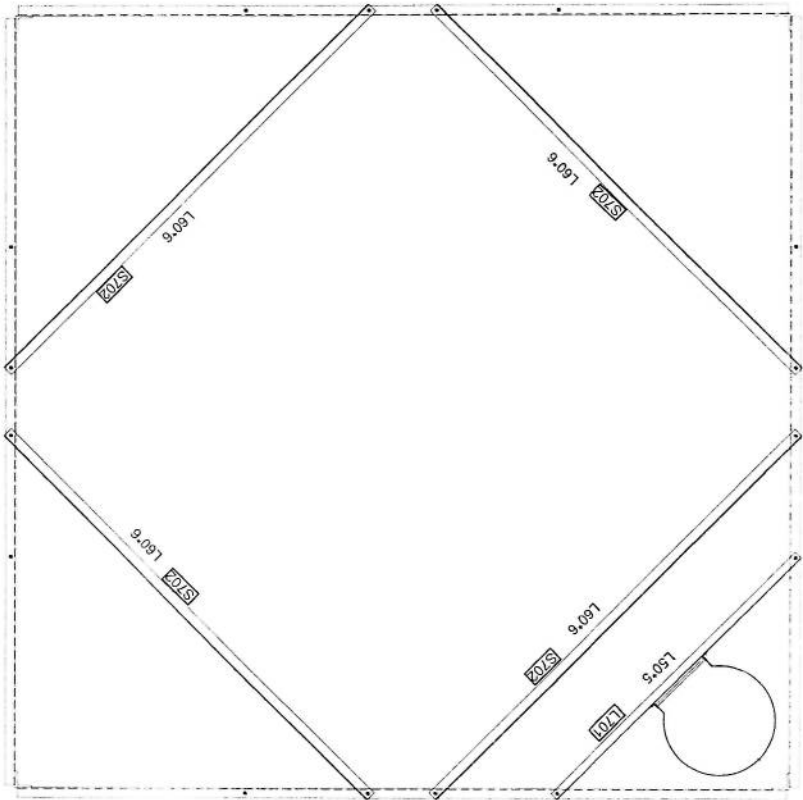


NOTE:
 1 ALL BOLT SET IN BRACING ARE M12-40
 2 ALL BOLT SET IN MAIN LEGS AND JOINT ARE M16-60
 3 ALL PLATE AND JOINT PLATE ARE PLATE 10mm

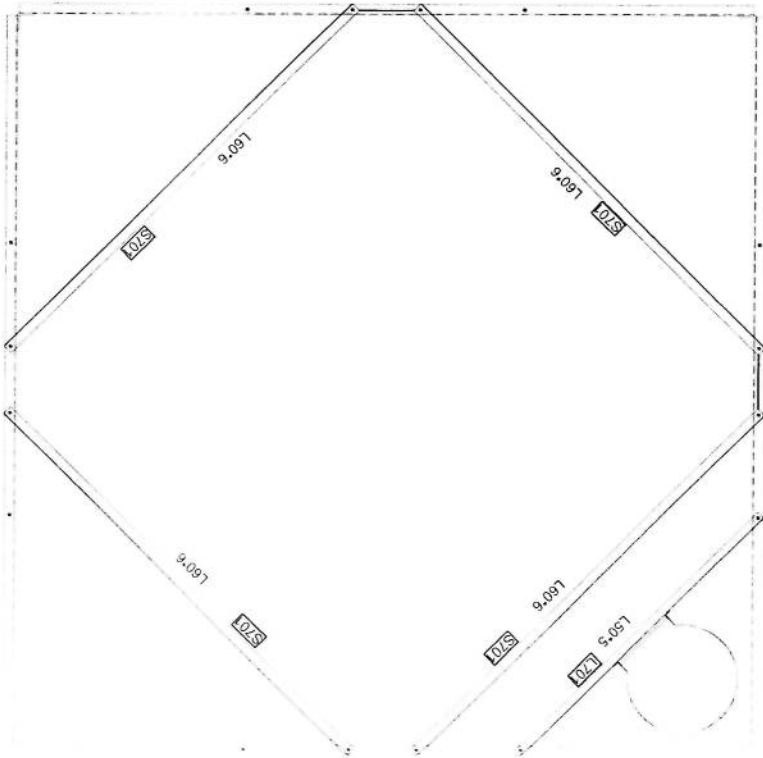
SCALE	PROJECT A1	DESIGN STAGE	DETAIL DESIGN
DATE	15/07/2018	DESIGNER	SK
CLIENT	AFGHAN TELECOM		
TITLE	APPROVAL DRAWING		
CONTRACTOR	SULTAN MUHAMMAD		
DESIGN AND MANUFACTURE	DARASAZAN KALAN CO.		
PROJECT NO.	01-20		

Handwritten signature in blue ink.

SECTION 18-18



SECTION 17-17



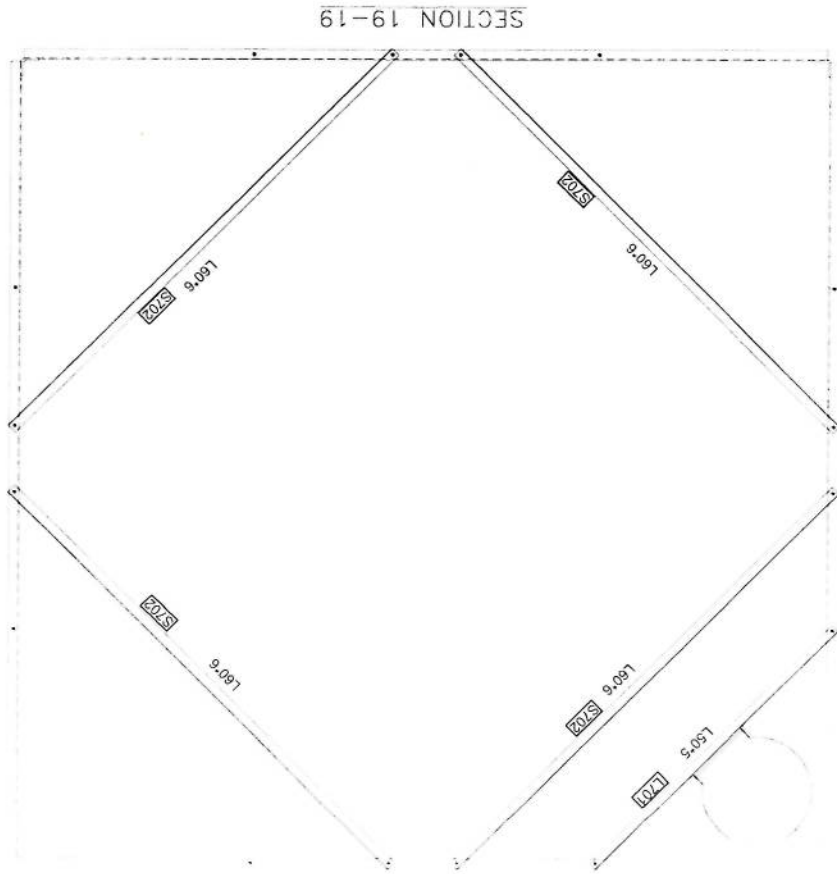
A B C D E F G

1 2 3 4 5

SCALE:	PROJECT NO:	DESIGN STAGE:	DESIGN NO.:
0	0	0	0
REV.:	SH. / TOTAL:	DARUL KAZAN DWS NO.:	
			
DESIGN AND MANUFACTURER:			
			
CONTRACTOR:			
PANEL 7 FOR TOWER TYPE 40-160-2PA10(AK1-40m)			
APPROVAL DRAWING:			
			
CLIENT:			
Z	POST DATE:	APPROVAL DATE:	DATE:
REV.	DESCRIPTION:	APPROVAL:	CHECK:

[Handwritten signature]

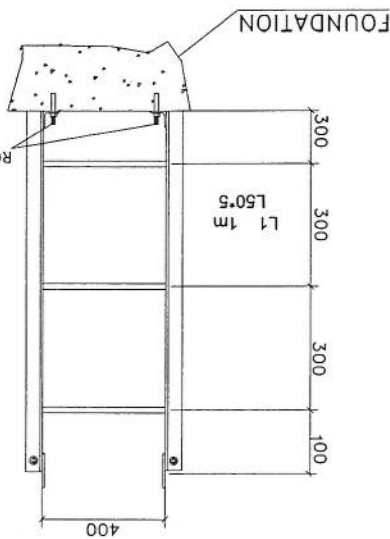
Block	Mark	Description	Length	WEIGHT	Qty	Total Weight
BL7	ML 7	L 100X10	5.5	84.5218	4	338.0872
BL7	W01	L60X6	4.781	26.4441891	4	105.7767564
BL7	W02	L60X6	4.595	25.4154045	4	101.661618
BL7	W03	L60X6	4.41	24.392151	4	97.568604
BL7	W04	L60X6	2.962	16.3831182	8	131.0649456
BL7	W05	L 40X4	1.403	3.4537651	8	27.6301208
BL7	W06	L 40X4	1.072	2.6389424	8	21.115392
BL7	W07	L60X6	2.855	15.7912905	8	126.330324
BL7	W08	L 40X4	1.348	3.3183716	8	26.5469728
BL7	W09	L 40X4	1.028	2.5306276	8	20.2450208
BL7	W10	L60X6	2.779	15.3709269	8	122.9674152
BL7	W11	L 40X4	1.315	3.2371355	8	25.897084
BL7	W12	L 40X4	0.985	2.424745	8	19.398196
BL7	L701	L50X5	2	7.6838	3	23.0514
BL7	S 701	L60X6	2.876	15.9074436	4	63.6297744
BL7	S 702	L60X6	3	16.5933	8	132.7464
BL7	P 71	PL300*175*10	1	4.2436	4	16.9744
BL7	P 72	PL300*175*10	1	4.2436	4	16.9744
BL7	P 73	PL300*175*10	1	4.2436	4	16.9744
BL7	PJ 7	PL420*90*10	1	3.0591	8	24.4728
BL7	MJ7	L80X7	0.42	3.638166	4	14.552664
BL7	Bolt Set	M16-60	1	0.16274	64	10.41536
BL7	Bolt Set	M12-40	1	0.06798	318	21.61764
BL7	Washer		1	0.008446	382	3.226372
						1508.92 Kg



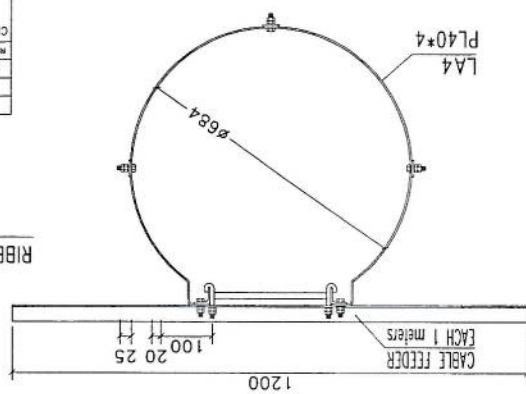
A B C D E F G

REV	0	1 OF: 20
SCALE:	FORMAT: A1	DESIGN STAGE: DETAIL DESIGN
DAKASAZAN DWG NO:		
DESIGN AND MANUFACTURER: DAKASAZAN KALAN CO.		
CONTRACTOR: SULTAN MANSOOR		
TITLE: APPROVAL DRAWING FOR TOWER TYPE 40-160-EPA10(AK1-40m) PANEL 4		
CLIENT: AFGHAN TELECOM		
REV	DESCRIPTION	DATE
2	FIRST ISSUE	
1	DESIGN	
0	APPROVAL	

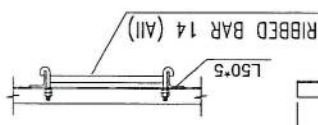
INSTALL BOTTOM PART OF LADDERS



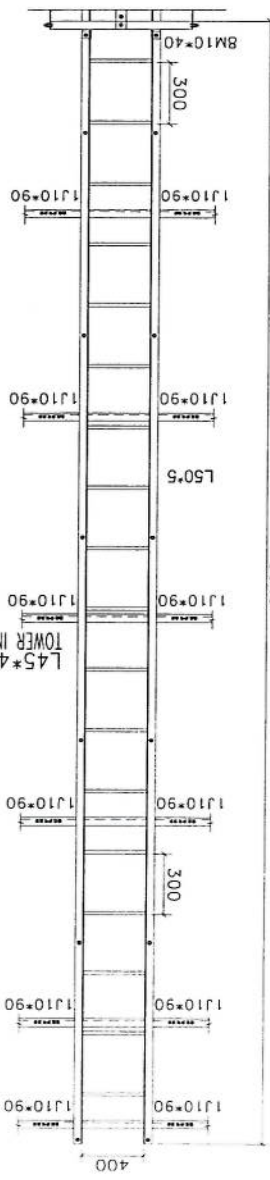
LADDER WITH HOOP



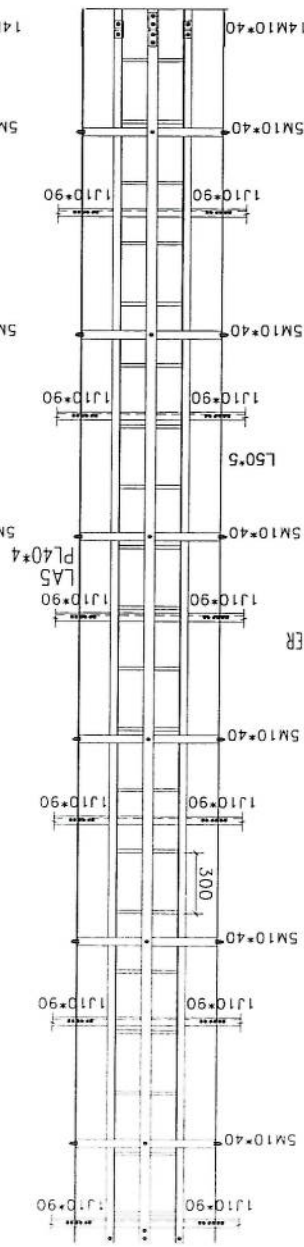
LADDER WITHOUT HOOP



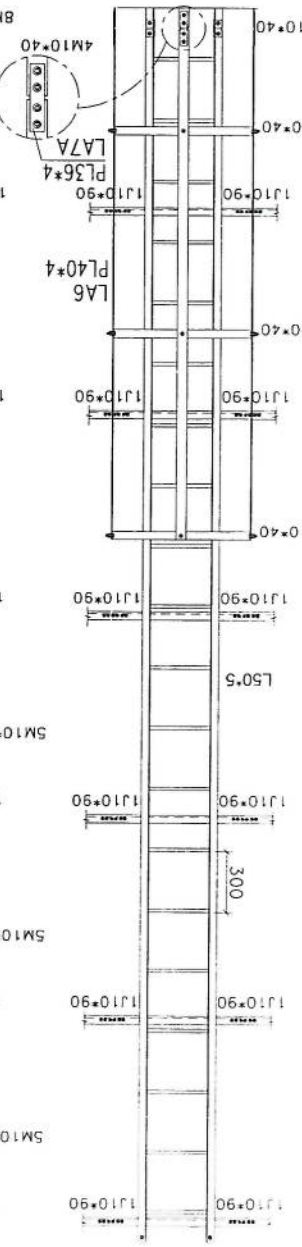
FOR PANEL "1"



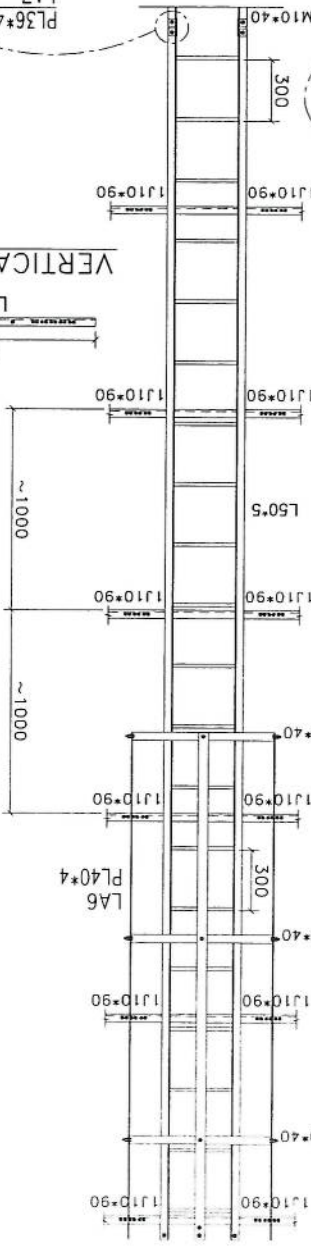
FOR OTHER PANELS



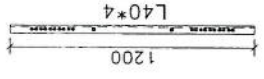
ONLY FOR PANEL "5"



FOR PANEL "10"



VERTICAL FEEDER

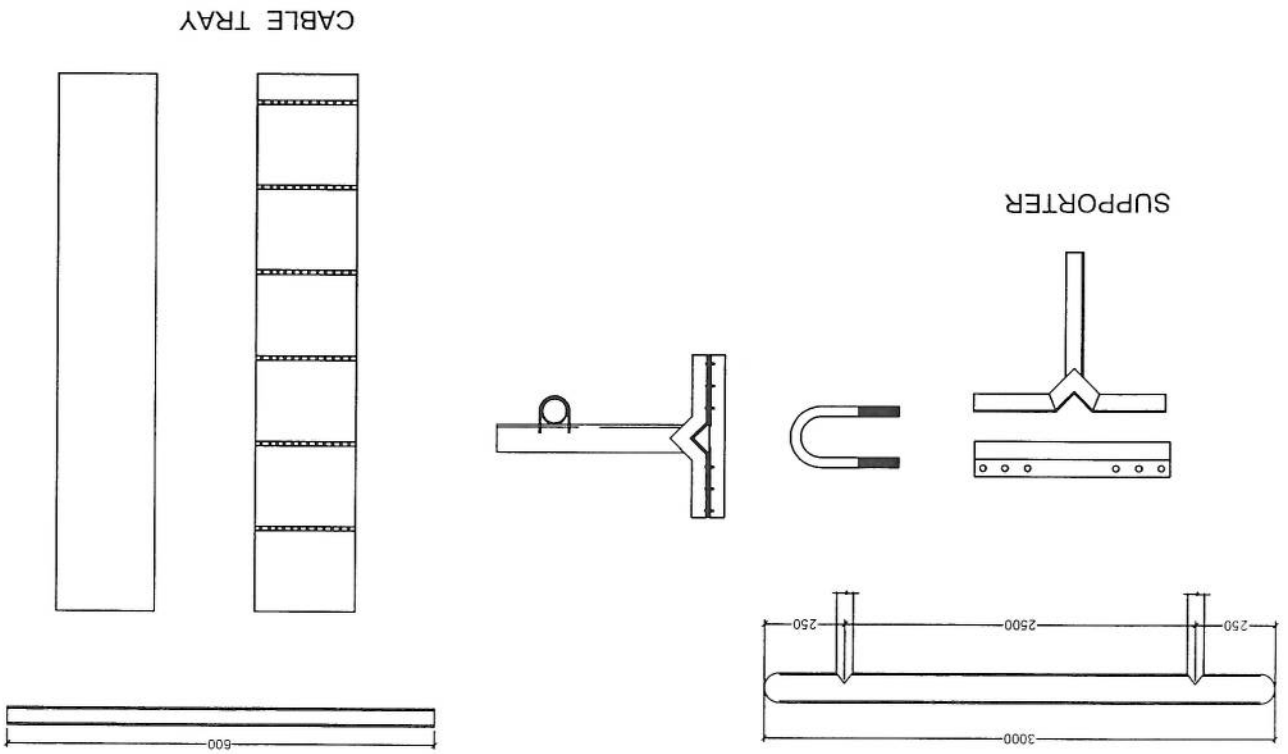


G
F
E
D
C
B
A

REV: 0		SH. / TOTAL 1 / 20	
SCALE: --			
DKAKASAZAN DWG NO: --			
FORMAT: A1 DESIGN STAGE: DETAIL DESIGN			
			
DESIGN AND MANUFACTURER: DAKASAZAN KALAN CO.			
CONTRACTOR: 			
TITLE: APPROVAL DRAWING FOR TOWER TYPE 40-160-EPA10(AK1-40m) PANEL 4			
CLIENT: AFGHAN TELECOM			
			
REV	NO	DESCRIPTION	DATE
3	1	FIRST ISSUE	---
		DESIGN	---
		CHECK	---
		APPR	---
		VER	---
		DATE	---

Handwritten signature in blue ink.

Sr.No	Block	Mark	Description	Length	WEIGHT	Qty	Total Weight
1	SUPPORT		(60X3)MM PIPE	3	13.0398	3	39.1194
2	SUPPORT		(60X3)MM PIPE	0.6	2.60796	2	5.21592
3	ANGLE	SL 1	L60X6	0.6	3.31866	3	9.95598
4	ANGLE	ANG	L60X6	0.45	2.488995	20	49.7799
5	ANGLE	ANG	L60X6	0.5	2.76555	5	13.82775
6	PIPE	PIPE	(27X2.6)MM PIPE	1.6	3.98816	5	19.9408
7	ANGLE	ANGLE	L60X6	0.5	2.76555	5	13.82775
8	U BOLT	UB	ROD 12	0.3	0.27501	35	9.62535
SUPPORTER							161.29 Kg



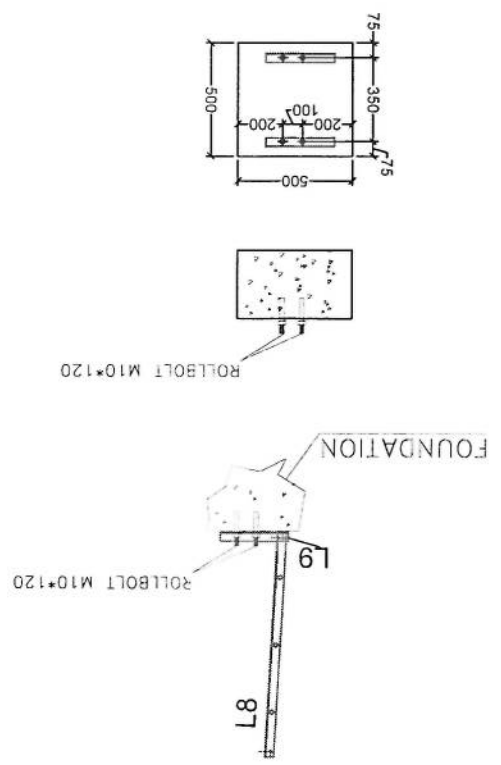
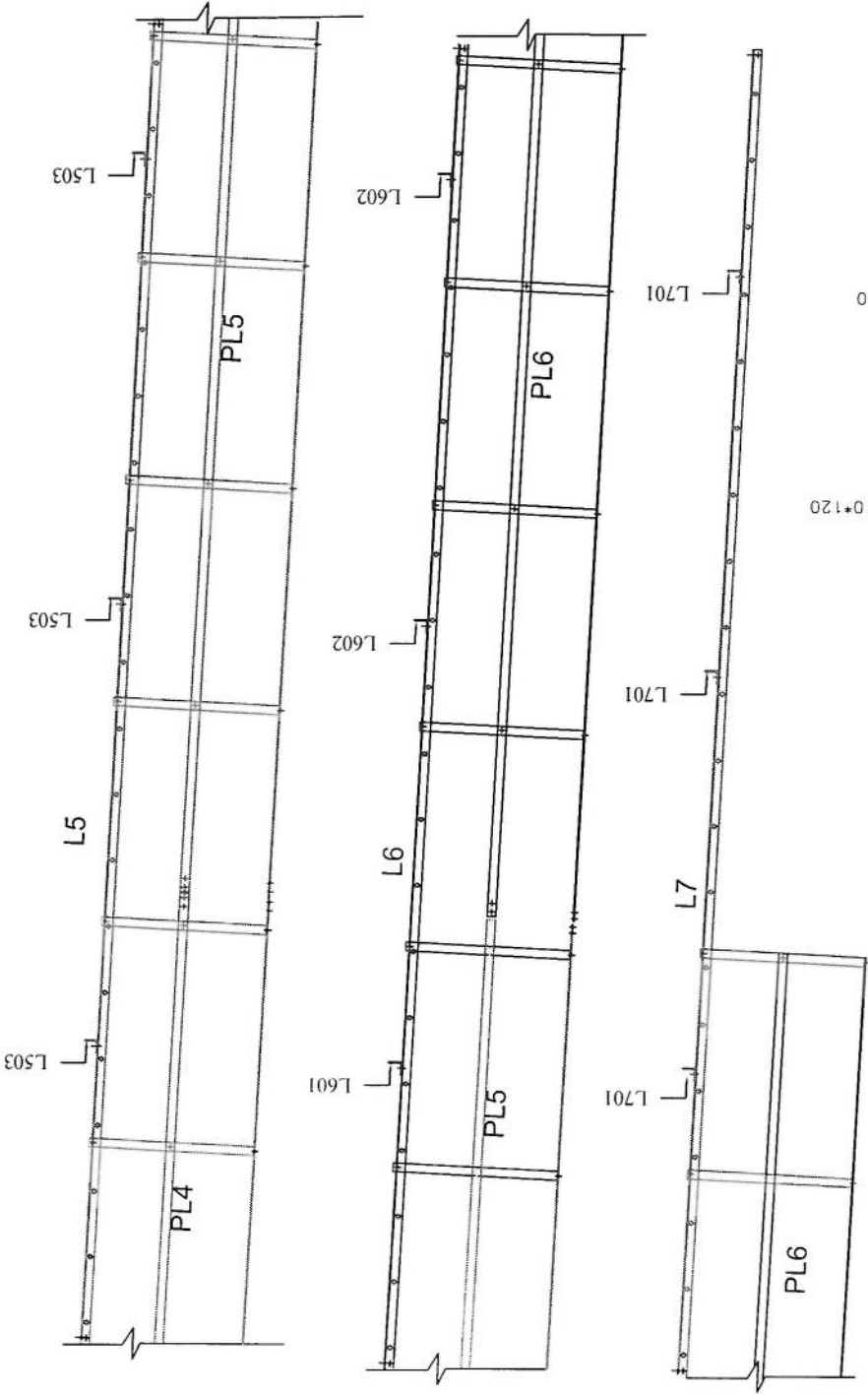
G
F
E
D
C
B
A

5
4
3
2
1

0	1	OF: 20
DARULAZAN DMG NO: 54 / TOTAL		
SCALE: [FORMAT AT] DESIGN STAGE: DETAIL DESIGN		
 		
DESIGN AND MANUFACTURER		
		
CONTRACTOR		
APPROVAL DRAWING FOR TOWER TYPE 40-160-EPA10(AK1-40m) PANEL 4		
CLIENT: AFGHAN TELECOM		
REV	DESCRIPTION	DATE
2	REVISION	
1	ISSUE FOR CONSTRUCTION	
	DATE	

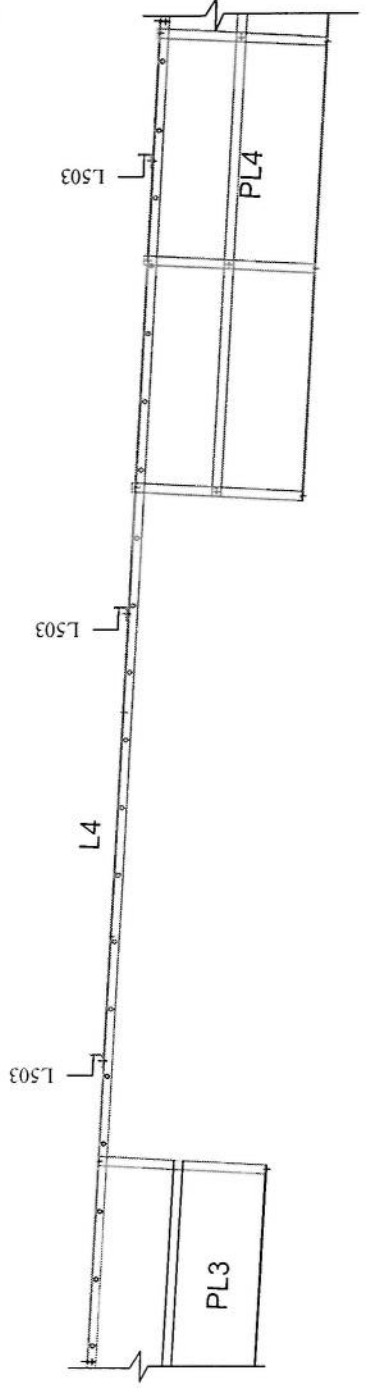
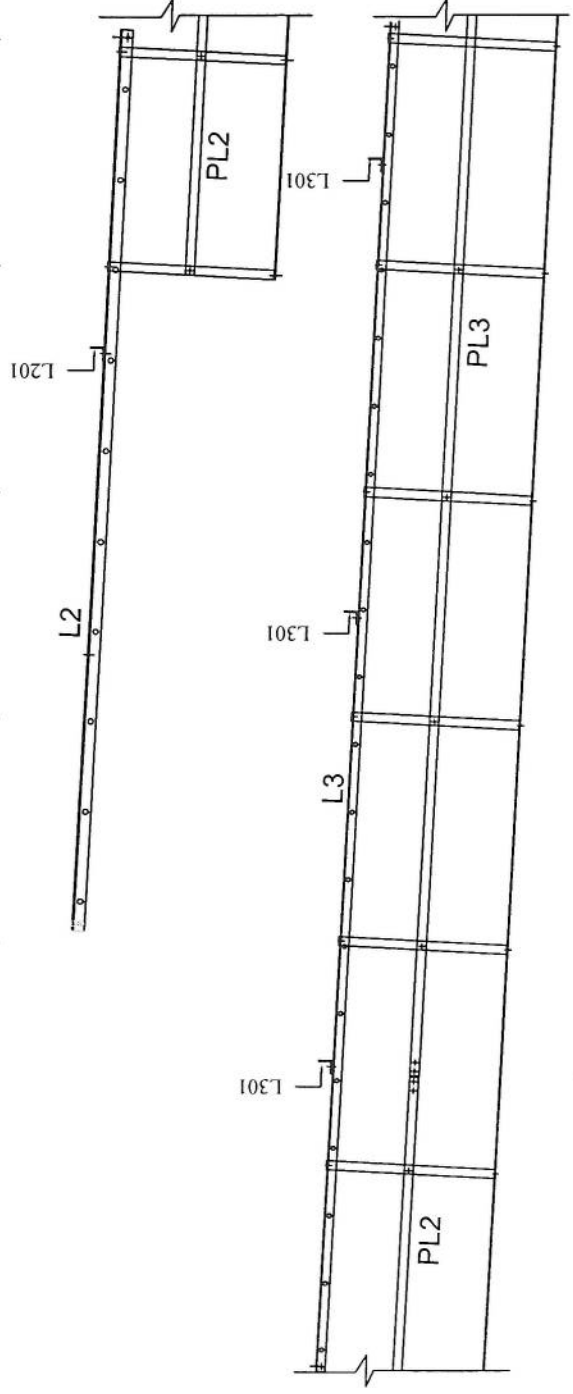
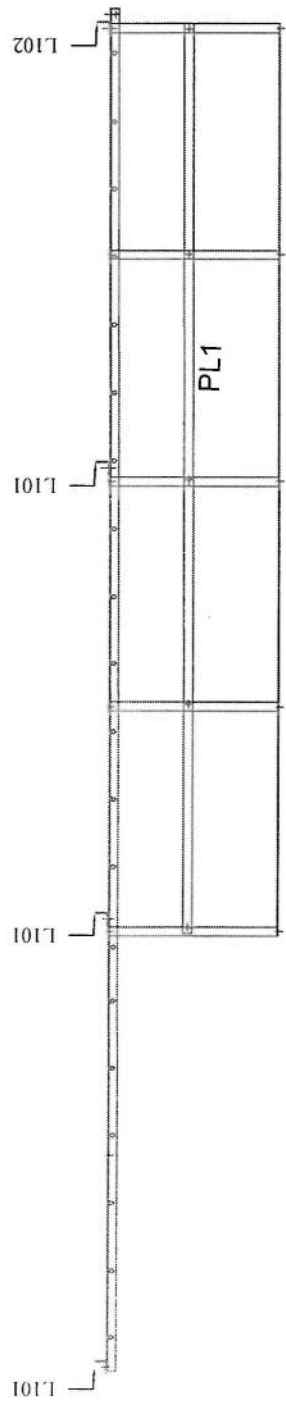
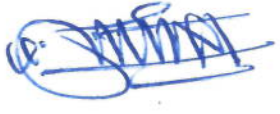
[Handwritten signature]

A B C D E F G



A B C D E F G

SCALE: 1 OF 20	REV: 0
DKK/SAZAN DRG NO:	FORMAT A7
DESIGN AND MANUFACTURER:	DESIGN STAGE: DETAIL DESIGN
 SAZAN KALAN CO.	 SULTAN MASYOON
CONTRACTOR	
TITLE: APPROVAL DRAWING FOR TOWER TYPE 40-160-EPA10(AK1-40m) PANEL 4	
CLIENT: AFGHAN TELECOM	
REV: 2	DATE: 10/10/20
DESIGN: A.S.	CHECK: A.S.
APP: A.S.	DATE: 10/10/20



5

4

3

2

1

REV	NO	DATE	DESCRIPTION
2			FIRST ISSUE
1			DESIGN
			DRAWN
			CHECK
			APPR
			DATE

CLIENT: AFGHAN TELECOM

TITLE: APPROVAL DRAWING FOR TOWER TYPE 40-160-EPA10(AK1-40m) PANEL 4

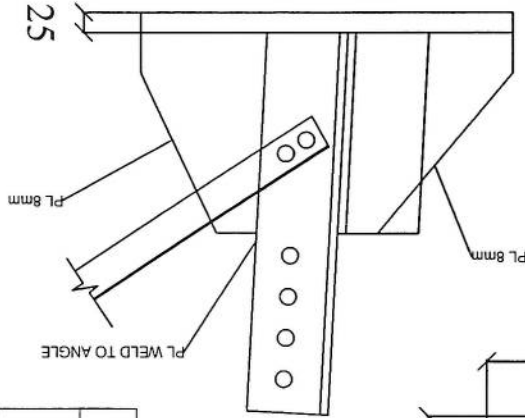
CONTRACTOR: SULTAN MANSOOR ENGINEERING & CONSULTING SERVICES

DESIGN AND MANUFACTURER: DAKAISAZAN KALAN CO.

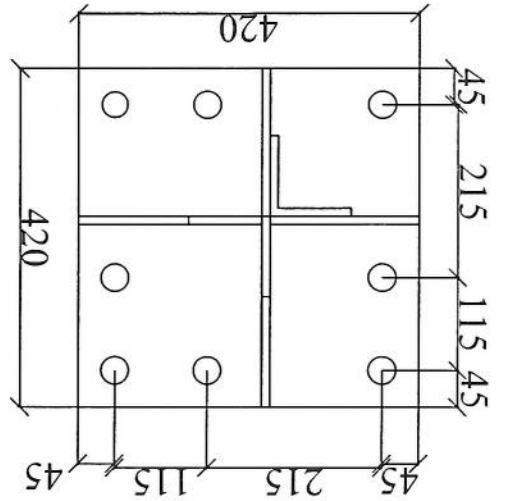
SCALE: [FORMAT: A1] DESIGN STAGE: DETAIL DESIGN

REV: SM / TOTAL: 1 OF: 20

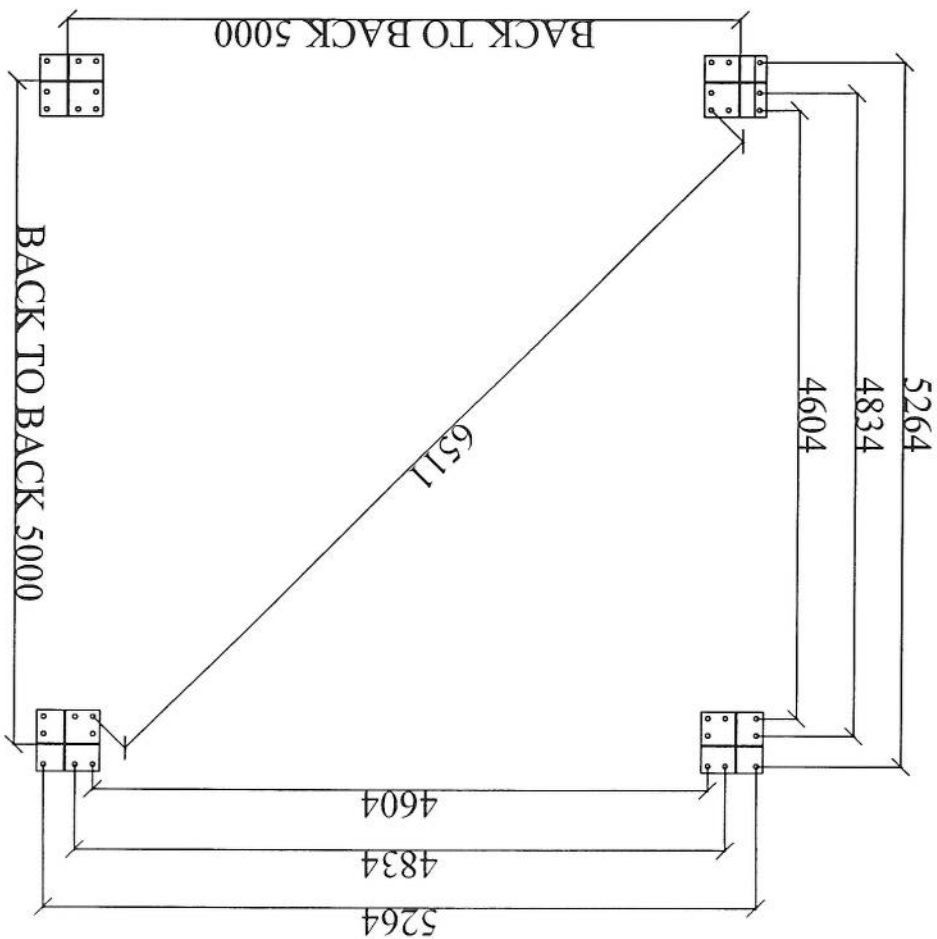
BASE PLATE SIDE VIEW



BASE PLATE



SECTION OF BASE PLATE



Block	Mark	Description	Length	WEIGHT	Qty	Total Weight
BASE	BS	PL 420X420X25	1	35.6586	4	142.6344
BASE	STF	PL 250*189*8	1	3.0591	2	6.1182
BASE	STF	PL 250*130*8	1	2.1012	2	4.2024
BASE	ANGLE	L100X10	0.5	7.6838	4	30.7352
BASE	ANGLE	L100X10	0.25	3.8419	4	15.3676
BASE	ANCHOR BO	φ 30	1.1	6.28815	32	201.2208
BASE	TEMPPLATE	PL 40X40X5	1	6.4684	4	25.8736
BASE	NUT30	NUT30	1	0.309	128	39.552
BASE	Cable Tray	GI SHEET 1.8 mm	1	58.71	1	58.71
Total weight						524.41KG

REVISION RECORDS		
REVISION NO	DATE	DESCRIPTION
شماره تغییرات	تاریخ	توضیحات

LEGEND:

□ PVC

▨ Soft Soil

PROJECT TITLE / NO:
GSM SITES
طرح سایت GSM

DRAWING TITLE:
40m Tower Grounding System
سیستم ارتداد برای مخابرات GSM

DRAWN BY:
CIVIL TEAM

CHECKED BY:

APPROVED BY:

SCALE: 1:75

ACTUAL DATE: 10/09/2025

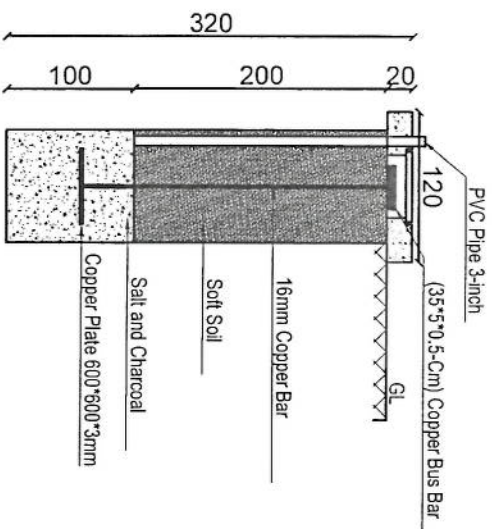
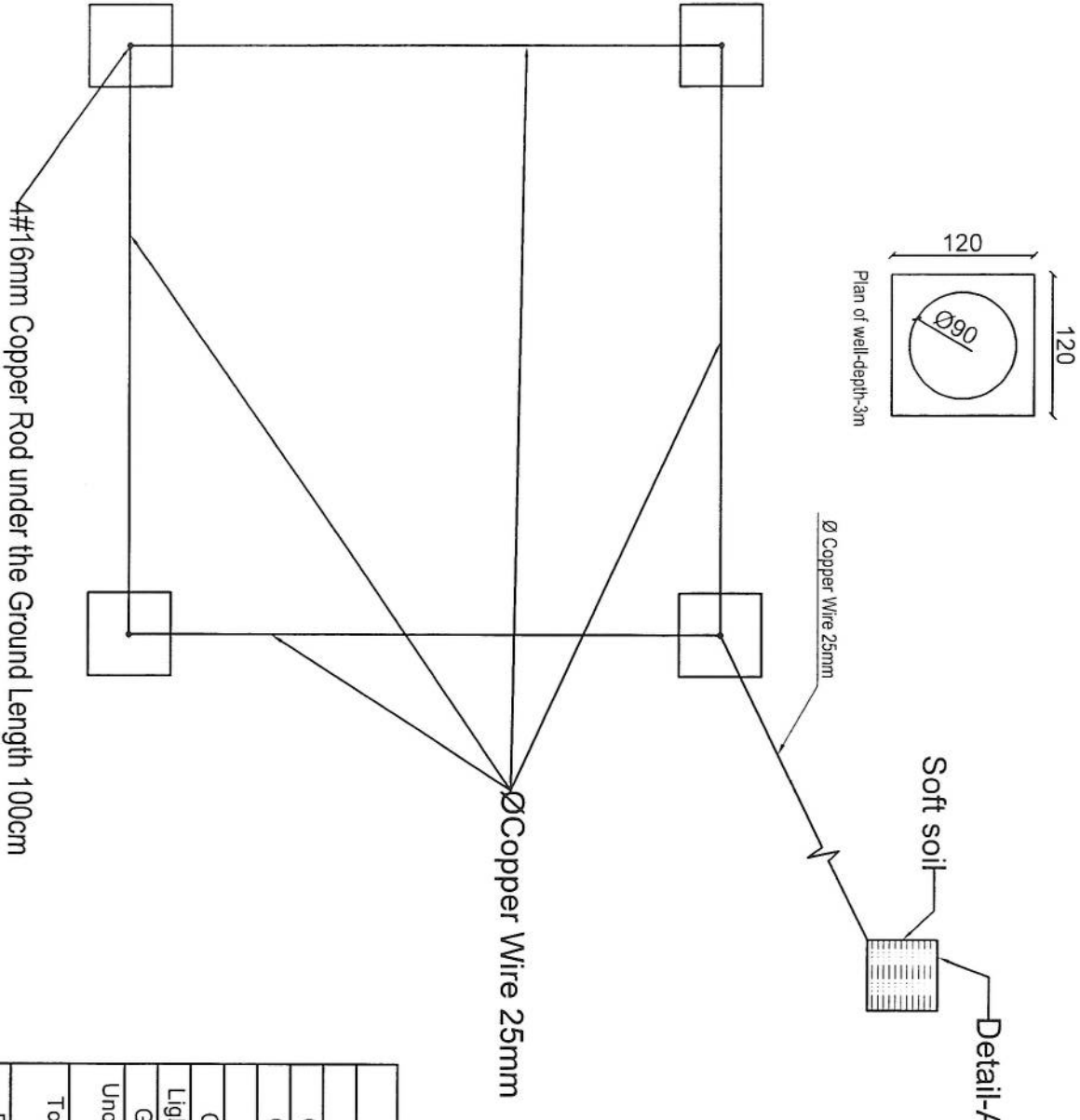
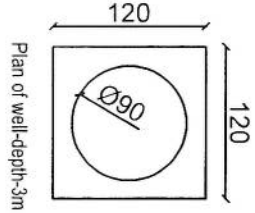
ISSUE DATE: 10/09/2025

DRG. NO: 23

OWNER: AFGHANI TELECOM

طراح: مخابرات افغانی



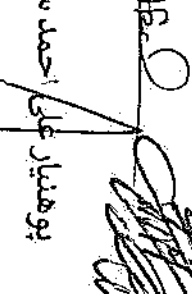


Sasam Telecommunication Company
KABUL
AFGHANISTAN



Item List		
Item	Quantity	Dimension
Copper Rod	4	1m*Ø16mm
Copper Rod	1	2m*Ø16mm
Bus Bar	5	35cm*5cm*5mm
Copper Plate	1	60cm*60cm*3mm
Lightning Arrestor	1	1m
Ground Cable	60m	25mm
Uncovered Ground Cable	32m	25mm
Tower Light with photo cell	1	48V DC
Power Cable	50m	2*2mm

(Handwritten signature)

سایت جدید PK013 ولایت لوگر که توسط مقام وزارت مخابرات ایجاد گردیده است مورد تأیید رهبری شرکت افغان تیلیکام

SN	SiteID	LAT	LONG	Province	District	AddA3:N17A1A3:N16	Site Service Type	Near End Site ID	Near End Site Distance	Near End Site Traffic 3G+4G (PS) GB Daily Base	Near End Site Traffic 2G+3G (CS) Erling Daily Base	Tower Type	Tower Height		
1	PK013	32.46991	68.16131	Paktika	Khushmand	Jasar	Coverage	GZ014	11.46km	100 Gb	1682 Btl	GF	40m		
محمد هارون محمدی				سید محمد افضل افغلی				محمد جان روفی				حکمت الله ستانکزی		ولایت خان عظیمی	
درسی کننده معاونیت عملیات بیسیم				رئیس مرکز بیسیم				آمر ترانسمیشن TX				آمر RF BSS		RF Optimization مدیر	
															
بو هنیار علی احمد سامند				S.M.A.B.				رئیس عمومی مرکز افغان تیلی کام							

نوٹ: این سایت از جمله ۵ سایت وزیر صاحب مخابرات است که برای افغان تیلی کام واگذار شده بود که دو سایت آن از طرف رهبری این شرکت رد شد و بعد از جلسه که اشتراک کنندگان این شرکت معاوضه محمد هارون محمدی و حکمت الله ستانکزی اشتراک داشتن دو موقعیت جدید به خوش شرکت سلام انتخاب شد که نیاز به تأییدی رهبری دارد.